



# 87C196KC 16-BIT HIGH-PERFORMANCE CHMOS MICROCONTROLLER

*Automotive*

- $-40^{\circ}\text{C}$  to  $+125^{\circ}\text{C}$
- 16 Kbytes of On-Chip EPROM
- 232 Byte Register File
- 256 Bytes of Additional RAM
- Register-to-Register Architecture
- 28 Interrupt Sources/16 Vectors
- Peripheral Transaction Server
- $1.75\ \mu\text{s}$  16 x 16 Multiply (16 MHz)
- $3.0\ \mu\text{s}$  32/16 Divide (16 MHz)
- Powerdown and Idle Modes
- Five 8-Bit I/O Ports
- 16-Bit Watchdog Timer
- Dynamically Configurable 8-Bit or 16-Bit Buswidth
- Full Duplex Serial Port
- High-Speed I/O Subsystem
- 16-Bit Timer
- 16-Bit Up/Down Counter with Capture
- 3 Pulse-Width-Modulated Outputs
- Four 16-Bit Software Timers
- 8- or 10-Bit 8-Channel A/D Converter with Sample/Hold
- $\overline{\text{HOLD}}/\overline{\text{HLDA}}$  Bus Protocol
- OTP One-Time Programmable and QROM Versions
- Available in 12 MHz and 16 MHz Versions
- 16 MHz Operation

The 87C196KC 16-bit microcontroller is a high-performance member of the MCS<sup>®</sup> 96 microcontroller family. The 87C196KC is an enhanced 8XC196KB device with 488 bytes RAM, 16 MHz operation and 16 Kbytes of on-chip EPROM. Intel's CHMOS process provides a high performance processor along with low power consumption.

Four high-speed capture inputs are provided to record times when events occur. Six high-speed outputs are available for pulse or waveform generation. The high-speed output can also generate four software timers or start an A/D conversion. Events can be based on the timer or up/down counter.

---

#### NOTICE:

This datasheet contains information on products in full production. Specifications within this datasheet are subject to change without notice. Verify with your local Intel sales office that you have the latest datasheet before finalizing a design.

---

\*Other brands and names are the property of their respective owners.  
Information in this document is provided in connection with Intel products. Intel assumes no liability whatsoever, including infringement of any patent or copyright, for sale and use of Intel products except as provided in Intel's Terms and Conditions of Sale for such products. Intel retains the right to make changes to these specifications at any time, without notice. Microcomputer Products may have minor variations to this specification known as errata.  
COPYRIGHT © INTEL CORPORATION, 1995

January 1995

Order Number: 270846-004

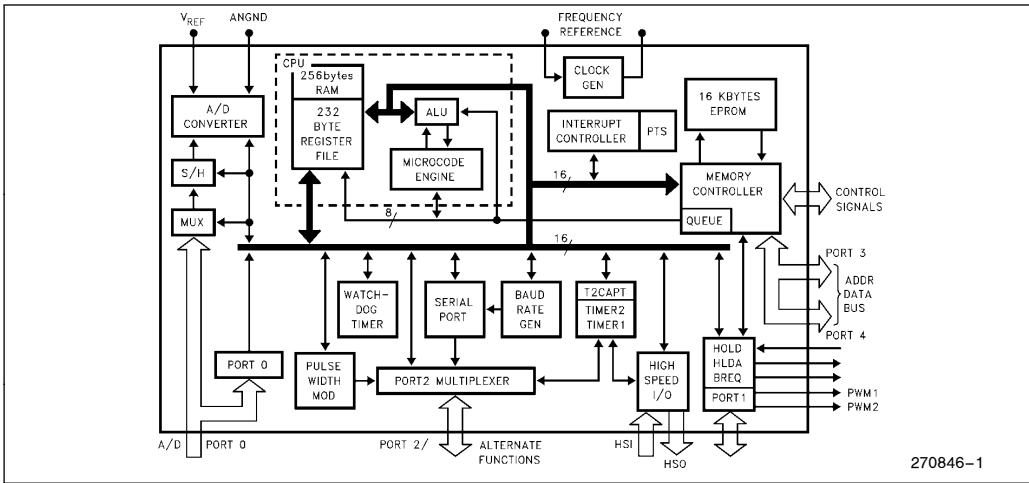


Figure 1. 87C196KC Block Diagram

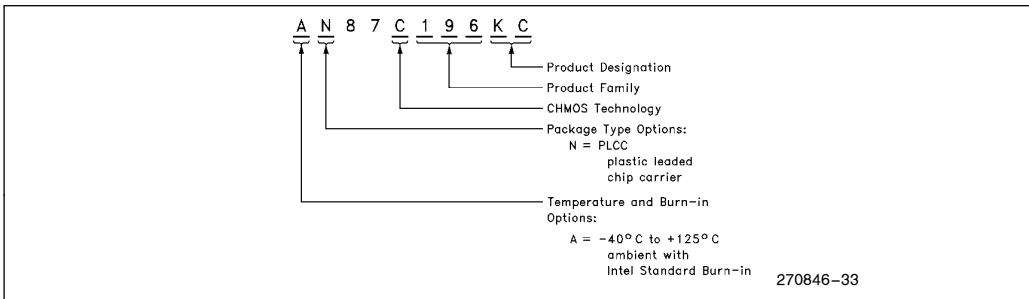


Figure 2. The 87C196KC Family Nomenclature

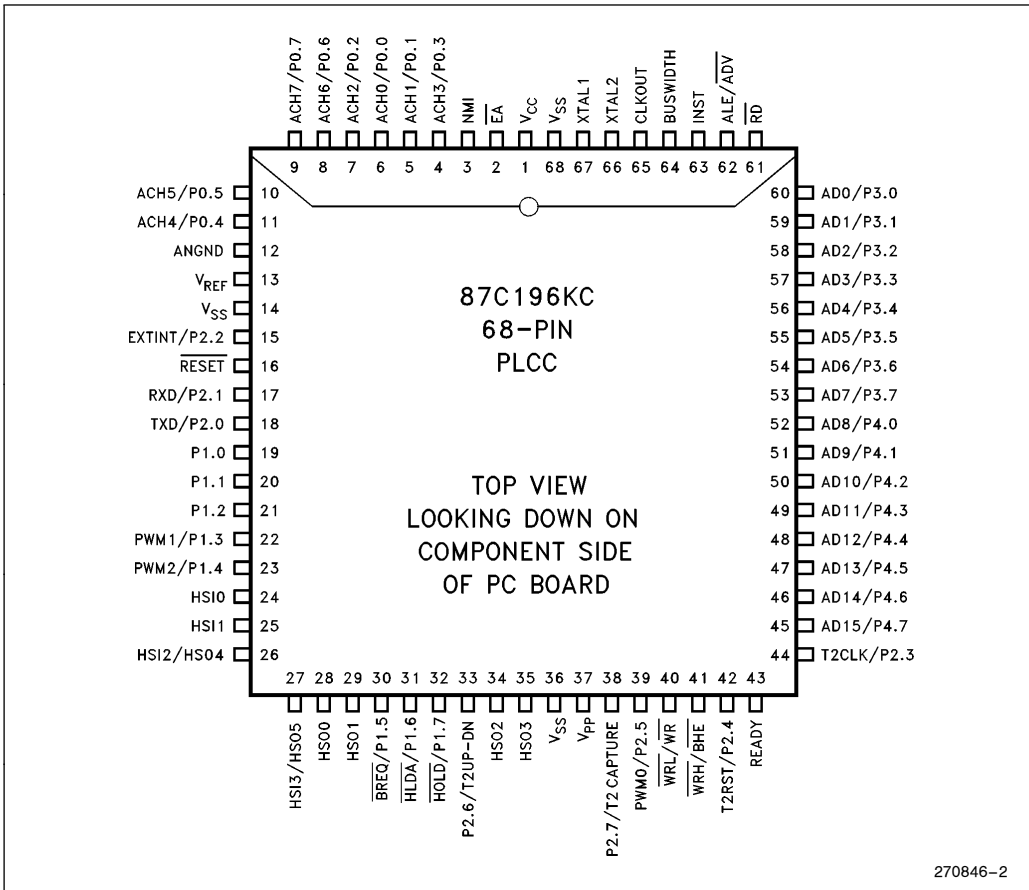
**87C196KC Enhanced Feature Set over the 87C196KB**

1. The 87C196KC has twice the RAM and twice the EPROM of the 87C196KB. Also, a Vertical Register Windowing Scheme allows the extra 256 bytes of RAM to be used as registers. This greatly reduces the context switching time.
2. Peripheral Transaction Server (PTS). The PTS is an alternative way to service an interrupt, reducing latency and overhead. Each interrupt can be mapped to its PTS channel, which acts like a DMA channel. Each interrupt can now do a single or block transfer, without executing an Interrupt service routine. Special PTS modes exist for the A/D converter, HSI, and HSO.
3. Two extra Pulse Width Modulated outputs. The 87C196KC has added 2 PWM outputs that are functionally compatible to the 87C196KB PWM.
4. Timer2 Internal Clocking. Timer2 can now be clocked with an internal source, every 1 or 8 state times.
5. The A/D can now perform an 8- as well as a 10-bit conversion. 8-bit conversion allows for a faster conversion time.
6. Additional On-chip Memory Security. Two UPROM (Uneraseable Programmable Read Only Memory) bits can be programmed to disable the bus controller for external code and data fetches. Once programmed, a UPROM bit cannot be erased. By shutting off the bus controller for external fetches, no one can try and gain access to your code by executing from external memory.
7. New Instructions. The 87C196KC has 5 new instructions. An exchange (XCHB/XCHW) instruction swaps two memory locations, an Interruptable Block Move Instruction (BMOVI), a Table Indirect Jump (TIJMP) instruction, and two instructions for enabling and disabling the PTS (EPTS/DPTS).

**PACKAGING**

| PLCC | Description                                   | PLCC | Description                                   | PLCC | Description                    |
|------|---|------|---|------|--------------------------------|
| 9    | ACH7/P0.7                                     | 54   | AD6/P3.6                                      | 31   | P1.6/ $\overline{\text{HLDA}}$ |
| 8    | ACH6/P0.6                                     | 53   | AD7/P3.7                                      | 30   | P1.5/ $\overline{\text{BREQ}}$ |
| 7    | ACH2/P0.2                                     | 52   | AD8/P4.0                                      | 29   | HSO.1                          |
| 6    | ACH0/P0.0                                     | 51   | AD9/P4.1                                      | 28   | HSO.0                          |
| 5    | ACH1/P0.1                                     | 50   | AD10/P4.2                                     | 27   | HSO.5/HSI.3                    |
| 4    | ACH3/P0.3                                     | 49   | AD11/P4.3                                     | 26   | HSO.4/HSI.2                    |
| 3    | NMI   | 48   | AD12/P4.4                                     | 25   | HSI.1                          |
| 2    | $\overline{\text{EA}}$                        | 47   | AD13/P4.5                                     | 24   | HSI.0                          |
| 1    | V <sub>CC</sub>                               | 46   | AD14/P4.6                                     | 23   | P1.4/PWM2                      |
| 68   | V <sub>SS</sub>                               | 45   | AD15/P4.7                                     | 22   | P1.3/PWM1                      |
| 67   | XTAL1   | 44   | T2CLK/P2.3                                    | 21   | P1.2                           |
| 66   | XTAL2   | 43   | READY   | 20   | P1.1                           |
| 65   | CLKOUT  | 42   | T2RST/P2.4                                    | 19   | P1.0                           |
| 64   | BUSWIDTH                                      | 41   | $\overline{\text{BHE}}/\overline{\text{WRH}}$ | 18   | TXD/P2.0                       |
| 63   | INST  | 40   | $\overline{\text{WR}}/\overline{\text{WRL}}$  | 17   | RXD/P2.1                       |
| 62   | $\overline{\text{ALE}}/\overline{\text{ADV}}$ | 39   | PWM0/P2.5                                     | 16   | $\overline{\text{RESET}}$      |
| 61   | $\overline{\text{RD}}$                        | 38   | P2.7/T2CAPTURE                                | 15   | EXTINT/P2.2                    |
| 60   | AD0/P3.0                                      | 37   | V <sub>PP</sub>                               | 14   | V <sub>SS</sub>                |
| 59   | AD1/P3.1                                      | 36   | V <sub>SS</sub>                               | 13   | V <sub>REF</sub>               |
| 58   | AD2/P3.2                                      | 35   | HSO.3   | 12   | ANGND                          |
| 57   | AD3/P3.3                                      | 34   | HSO.2   | 11   | ACH4/P.04                      |
| 56   | AD4/P3.4                                      | 33   | P2.6/T2UP-DN                                  | 10   | ACH5/P.05                      |
| 55   | AD5/P3.5                                      | 32   | P1.7/ $\overline{\text{HOLD}}$                |      |                                |

Figure 3. 68-Pin PLCC Functional Pin-out



270846-2

Figure 4. 68-Pin PLCC Package

Table 1. Prefix Identification

| PLCC     |             |
|----------|-------------|
| 87C196KC | AN87C196KC* |

\*OTP Version

**PIN DESCRIPTIONS**

| Symbol  | Name and Function  |
|---|--|
| V <sub>CC</sub>                                   | Main supply voltage (5V).  |
| V <sub>SS</sub>                                   | Digital circuit ground (0V). There are three V <sub>SS</sub> pins, all of which must be connected.   |
| V <sub>REF</sub>                                  | Reference voltage for the A/D converter (5V). V <sub>REF</sub> is also the supply voltage to the analog portion of the A/D converter and the logic used to read Port 0. Must be connected for A/D and Port 0 to function.  |
| ANGND   | Reference ground for the A/D converter. Must be held at nominally the same potential as V <sub>SS</sub> .  |
| V <sub>PP</sub>                                   | Timing pin for the return from powerdown circuit. Connect this pin with a 1 μF capacitor to V <sub>SS</sub> and a 1 MΩ resistor to V <sub>CC</sub> . If this function is not used V <sub>PP</sub> may be tied to V <sub>CC</sub> . This pin is the programming voltage on the EPROM device.  |
| XTAL1   | Input of the oscillator inverter and of the internal clock generator.  |
| XTAL2   | Output of the oscillator inverter.   |
| CLKOUT  | Output of the internal clock generator. The frequency of CLKOUT is 1/2 the oscillator frequency.   |
| $\overline{\text{RESET}}$                         | Reset input to the chip.   |
| BUSWIDTH  | Input for buswidth selection. If CCR bit 1 is a one, this pin selects the bus width for the bus cycle in progress. If BUSWIDTH is a 1, a 16-bit bus cycle occurs. If BUSWIDTH is a 0 an 8-bit cycle occurs. If CCR bit 1 is a 0, the bus is always an 8-bit bus.   |
| NMI   | A positive transition causes a vector through 203EH.   |
| INST  | Output high during an external memory read indicates the read is an instruction fetch. INST is valid throughout the bus cycle. INST is activated only during external memory accesses and output low for a data fetch.   |
| $\overline{\text{EA}}$                            | Input for memory select (External Access). $\overline{\text{EA}}$ equal to a TTL-high causes memory accesses to locations 2000H through 5FFFH to be directed to on-chip ROM/EPROM. $\overline{\text{EA}}$ equal to a TTL-low causes accesses to those locations to be directed to off-chip memory.   |
| ALE/ $\overline{\text{ADV}}$                      | Address Latch Enable or Address Valid output, as selected by CCR. Both pin options provide a signal to demultiplex the address from the address/data bus. When the pin is $\overline{\text{ADV}}$ , it goes inactive high at the end of the bus cycle. ALE/ $\overline{\text{ADV}}$ is activated only during external memory accesses.   |
| $\overline{\text{RD}}$                            | Read signal output to external memory. $\overline{\text{RD}}$ is activated only during external memory reads.  |
| $\overline{\text{WR}}$ / $\overline{\text{WRL}}$  | Write and Write Low output to external memory, as selected by the CCR. $\overline{\text{WR}}$ will go low for every external write, while $\overline{\text{WRL}}$ will go low only for external writes where an even byte is being written. $\overline{\text{WR}}$ / $\overline{\text{WRL}}$ is activated only during external memory writes.  |
| $\overline{\text{BHE}}$ / $\overline{\text{WRH}}$ | Bus High Enable or Write High output to external memory, as selected by the CCR. $\overline{\text{BHE}} = 0$ selects the bank of memory that is connected to the high byte of the data bus. $\text{A0} = 0$ selects the bank of memory that is connected to the low byte of the data bus. Thus accesses to a 16-bit wide memory can be to the low byte only ( $\text{A0} = 0$ , $\overline{\text{BHE}} = 1$ ), to the high byte only ( $\text{A0} = 1$ , $\overline{\text{BHE}} = 0$ ), or both bytes ( $\text{A0} = 0$ , $\overline{\text{BHE}} = 0$ ). If the $\overline{\text{WRH}}$ function is selected, the pin will go low if the bus cycle is writing to an odd memory location. $\overline{\text{BHE}}$ / $\overline{\text{WRH}}$ is valid only during 16-bit external memory write cycles. |

**PIN DESCRIPTIONS** (Continued)

| Symbol                   | Name and Function   |
|--------------------------|---|
| READY                    | Ready input to lengthen external memory cycles, for interfacing to slow or dynamic memory, or for bus sharing. When the external memory is not being used, READY has no effect. |
| HSI                      | Inputs to High Speed Input Unit. Four HSI pins are available: HSI.0, HSI.1, HSI.2 and HSI.3. Two of them (HSI.2 and HSI.3) are shared with the HSO Unit.                        |
| HSO                      | Outputs from High Speed Output Unit. Six HSO pins are available: HSO.0, HSO.1, HSO.2, HSI.3, HSO.4 and HSO.5. Two of them (HSO.4 and HSO.5) are shared with the HSI Unit.       |
| Port 0                   | 8-bit high impedance input-only port. These pins can be used as digital inputs and/or as analog inputs to the on-chip A/D converter.  |
| Port 1                   | 8-bit quasi-bidirectional I/O port.   |
| Port 2                   | 8-bit multi-functional port. All of its pins are shared with other functions in the 87C196KC.   |
| Ports 3 and 4            | 8-bit bidirectional I/O ports with open drain outputs. These pins are shared with the multiplexed address/data bus.   |
| $\overline{\text{HOLD}}$ | Bus Hold input requesting control of the bus.   |
| $\overline{\text{HLDA}}$ | Bus Hold acknowledge output indicating release of the bus.  |
| $\overline{\text{BREQ}}$ | Bus Request output activated when the bus controller has a pending external memory cycle.   |





### ELECTRICAL CHARACTERISTICS

NOTICE: This is a production data sheet. The specifications are subject to change without notice.

#### Absolute Maximum Ratings\*

Ambient Temperature  
 Under Bias ..... -40°C to +125°C  
 Storage Temperature ..... -65°C to +150°C  
 Voltage On Any Pin to V<sub>SS</sub> ..... -0.5V to +7.0V  
 Power Dissipation ..... 0.43W

*\*WARNING: Stressing the device beyond the "Absolute Maximum Ratings" may cause permanent damage. These are stress ratings only. Operation beyond the "Operating Conditions" is not recommended and extended exposure beyond the "Operating Conditions" may affect device reliability.*

### OPERATING CONDITIONS

| Symbol           | Description                    | Min  | Max  | Units |
|------------------|--------------------------------|------|------|-------|
| T <sub>A</sub>   | Ambient Temperature Under Bias | -40  | +125 | °C    |
| V <sub>CC</sub>  | Digital Supply Voltage         | 4.50 | 5.50 | V     |
| V <sub>REF</sub> | Analog Supply Voltage          | 4.50 | 5.50 | V     |
| F <sub>OSC</sub> | Oscillator Frequency           | 4    | 16   | MHz   |

**NOTE:**  
ANGND and V<sub>SS</sub> should be nominally at the same potential.

### DC CHARACTERISTICS (Over Specified Operating Conditions)

| Symbol           | Description                                       | Min   | Max                   | Units       | Test Conditions   |
|------------------|---|---|-----------------------|-------------|---|
| V <sub>IL</sub>  | Input Low Voltage                                 | -0.5  | 0.8                   | V           |   |
| V <sub>IH</sub>  | Input High Voltage (Note 1)                       | 0.2 V <sub>CC</sub> + 1.0   | V <sub>CC</sub> + 0.5 | V           |   |
| V <sub>IH1</sub> | Input High Voltage on XTAL 1, EA                  | 0.7 V <sub>CC</sub>   | V <sub>CC</sub> + 0.5 | V           |   |
| V <sub>IH2</sub> | Input High Voltage on RESET                       | 2.2   | V <sub>CC</sub> + 0.5 | V           |   |
| V <sub>OL</sub>  | Output Low Voltage                                |   | 0.3<br>0.45<br>1.5    | V<br>V<br>V | I <sub>OL</sub> = 200 μA<br>I <sub>OL</sub> = 2.8 mA<br>I <sub>OL</sub> = 7 mA    |
| V <sub>OL1</sub> | Output Low Voltage in RESET on P2.5 (Note 2)      |   | 0.8                   | V           | I <sub>OL</sub> = +0.2 mA   |
| V <sub>OH</sub>  | Output High Voltage (Standard Outputs)            | V <sub>CC</sub> - 0.3<br>V <sub>CC</sub> - 0.7<br>V <sub>CC</sub> - 1.5 |                       | V<br>V<br>V | I <sub>OH</sub> = -200 μA<br>I <sub>OH</sub> = -3.2 mA<br>I <sub>OH</sub> = -7 mA |
| V <sub>OH1</sub> | Output High Voltage (Quasi-bidirectional Outputs) | V <sub>CC</sub> - 0.3<br>V <sub>CC</sub> - 0.7<br>V <sub>CC</sub> - 1.5 |                       | V<br>V<br>V | I <sub>OH</sub> = -10 μA<br>I <sub>OH</sub> = -30 μA<br>I <sub>OH</sub> = -60 μA  |
| V <sub>OH2</sub> | Output High Voltage in RESET on P2.0 (Note 2)     | 2.0   |                       | V           | I <sub>OH</sub> = -0.6 mA   |

**NOTES:**  
 1. All pins except RESET, XTAL1 and EA.  
 2. Violating these specifications in Reset may cause the part to enter test modes.





**DC CHARACTERISTICS** (Over Specified Operating Conditions)

| Symbol            | Description                                   | Min | Typ | Max    | Units | Test Conditions   |
|-------------------|---|-----|-----|--------|-------|---|
| I <sub>LI</sub>   | Input Leakage Current (Std. Inputs)           |     |     | ±10    | μA    | 0 < V <sub>IN</sub> < V <sub>CC</sub> - 0.3V                                  |
| I <sub>LI1</sub>  | Input Leakage Current (Port 0)                |     |     | ±3     | μA    | 0 < V <sub>IN</sub> < V <sub>REF</sub>  |
| I <sub>TL</sub>   | 1 to 0 Transition Current (QBD Pins)          |     |     | -650   | μA    | V <sub>IN</sub> = 2.0V  |
| I <sub>IL</sub>   | Logical 0 Input Current (QBD Pins)            |     |     | -70    | μA    | V <sub>IN</sub> = 0.45V   |
| I <sub>CC</sub>   | Active Mode Current in Reset                  |     | 50  | 70     | mA    | XTAL1 = 16 MHz<br>V <sub>CC</sub> = V <sub>PP</sub> = V <sub>REF</sub> = 5.5V |
| I <sub>REF</sub>  | A/D Converter Reference Current               |     | 2   | 5      | mA    |   |
| I <sub>IDLE</sub> | Idle Mode Current                             |     | 15  | 30     | mA    | V <sub>CC</sub> = V <sub>PP</sub> = V <sub>REF</sub> = 5.5V                   |
| I <sub>PD</sub>   | Powerdown Mode Current                        |     | 50  | T.B.D. | μA    |   |
| R <sub>RST</sub>  | Reset Pullup Resistor                         | 6K  |     | 65K    | Ω     | V <sub>CC</sub> = 5.0V, V <sub>IN</sub> = 4.0V                                |
| C <sub>S</sub>    | Pin Capacitance (Any Pin to V <sub>SS</sub> ) |     |     | 10     | pF    |   |

**NOTES:**

(Notes apply to all specifications)

1. QBD (Quasi-bidirectional) pins include Port 1, P2.6 and P2.7.
2. Standard Outputs include AD0-15, RD, WR, ALE, BHE, INST, HSO pins, PWM/P2.5, CLKOUT, RESET, Ports 3 and 4, TXD/P2.0 and RXD (in serial mode 0). The V<sub>OH</sub> specification is not valid for RESET. Ports 3 and 4 are open-drain outputs.
3. Standard Inputs include HSI pins, READY, BUSWIDTH, NMI, RXD/P2.1, EXTINT/P2.2, T2CLK/P2.3 and T2RST/P2.4.
4. Maximum current per pin must be externally limited to the following values if V<sub>OL</sub> is held above 0.45V or V<sub>OH</sub> is held below V<sub>CC</sub> - 0.7V:

- I<sub>OL</sub> on Output pins: 10 mA
- I<sub>OH</sub> on quasi-bidirectional pins: self limiting
- I<sub>OH</sub> on Standard Output pins: 10 mA

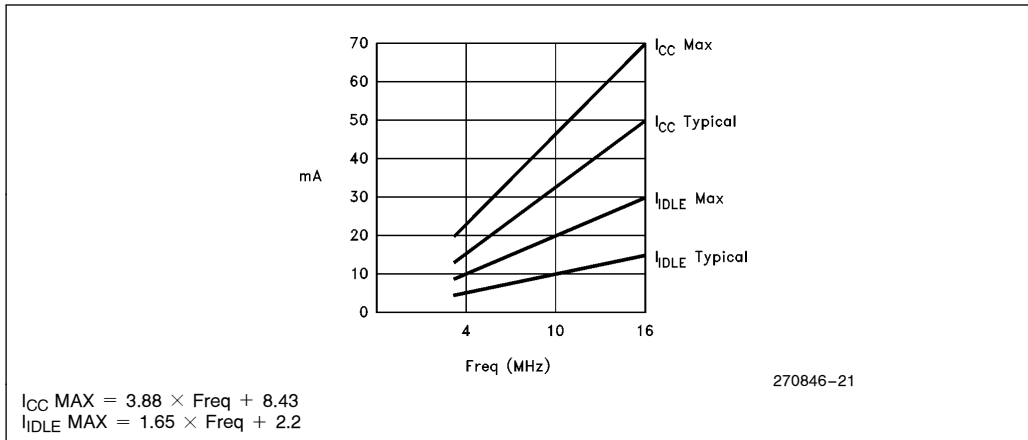
5. Maximum current per bus pin (data and control) during normal operation is ±3.2 mA.

6. During normal (non-transient) conditions the following total current limits apply:

|                       |                         |                                  |
|-----------------------|-------------------------|----------------------------------|
| Port 1, P2.6          | I <sub>OL</sub> : 29 mA | I <sub>OH</sub> is self limiting |
| HSO, P2.0, RXD, RESET | I <sub>OL</sub> : 29 mA | I <sub>OH</sub> : 26 mA          |
| P2.5, P2.7, WR, BHE   | I <sub>OL</sub> : 13 mA | I <sub>OH</sub> : 11 mA          |
| AD0-AD15              | I <sub>OL</sub> : 52 mA | I <sub>OH</sub> : 52 mA          |
| RD, ALE, INST-CLKOUT  | I <sub>OL</sub> : 13 mA | I <sub>OH</sub> : 13 mA          |







**Figure 5. I<sub>CC</sub> and I<sub>IDLE</sub> vs Frequency**

**AC CHARACTERISTICS**

For use over specified operating conditions.

Test Conditions: Capacitive load on all pins = 100 pF, Rise and fall times = 10 ns, F<sub>OSC</sub> = 16 MHz

**The system must meet these specifications to work with the 87C196KC:**

| Symbol            | Description                                | Min                   | Max                     | Units | Notes    |
|-------------------|--|-----------------------|-------------------------|-------|----------|
| T <sub>AVYV</sub> | Address Valid to READY Setup               |                       | 2 T <sub>OSC</sub> - 75 | ns    |          |
| T <sub>LLYV</sub> | ALE Low to READY Setup                     |                       | T <sub>OSC</sub> - 70   | ns    |          |
| T <sub>YLYH</sub> | Non READY Time                             | No upper limit        |                         | ns    |          |
| T <sub>CLYX</sub> | READY Hold after CLKOUT Low                | 0                     | T <sub>OSC</sub> - 30   | ns    | (Note 1) |
| T <sub>LLYX</sub> | READY Hold after ALE Low                   | T <sub>OSC</sub> - 15 | 2 T <sub>OSC</sub> - 40 | ns    | (Note 1) |
| T <sub>AVGV</sub> | Address Valid to Buswidth Setup            |                       | 2 T <sub>OSC</sub> - 75 | ns    |          |
| T <sub>LLGV</sub> | ALE Low to Buswidth Setup                  |                       | T <sub>OSC</sub> - 60   | ns    |          |
| T <sub>CLGX</sub> | Buswidth Hold after CLKOUT Low             | 0                     |                         | ns    |          |
| T <sub>AVDV</sub> | Address Valid to Input Data Valid          |                       | 3 T <sub>OSC</sub> - 55 | ns    | (Note 2) |
| T <sub>RLDV</sub> | $\overline{RD}$ Active to Input Data Valid |                       | T <sub>OSC</sub> - 30   | ns    | (Note 2) |
| T <sub>CLDV</sub> | CLKOUT Low to Input Data Valid             |                       | T <sub>OSC</sub> - 50   | ns    |          |
| T <sub>RHDZ</sub> | End of $\overline{RD}$ to Input Data Float |                       | T <sub>OSC</sub>        | ns    |          |
| T <sub>RXDX</sub> | Data Hold after $\overline{RD}$ Inactive   | 0                     |                         | ns    |          |

**NOTES:**

1. If max is exceeded, additional wait states will occur.
2. If wait states are used, add 2 T<sub>OSC</sub> \* N, where N = number of wait states.



**AC CHARACTERISTICS** (Continued)

For use over specified operating conditions.

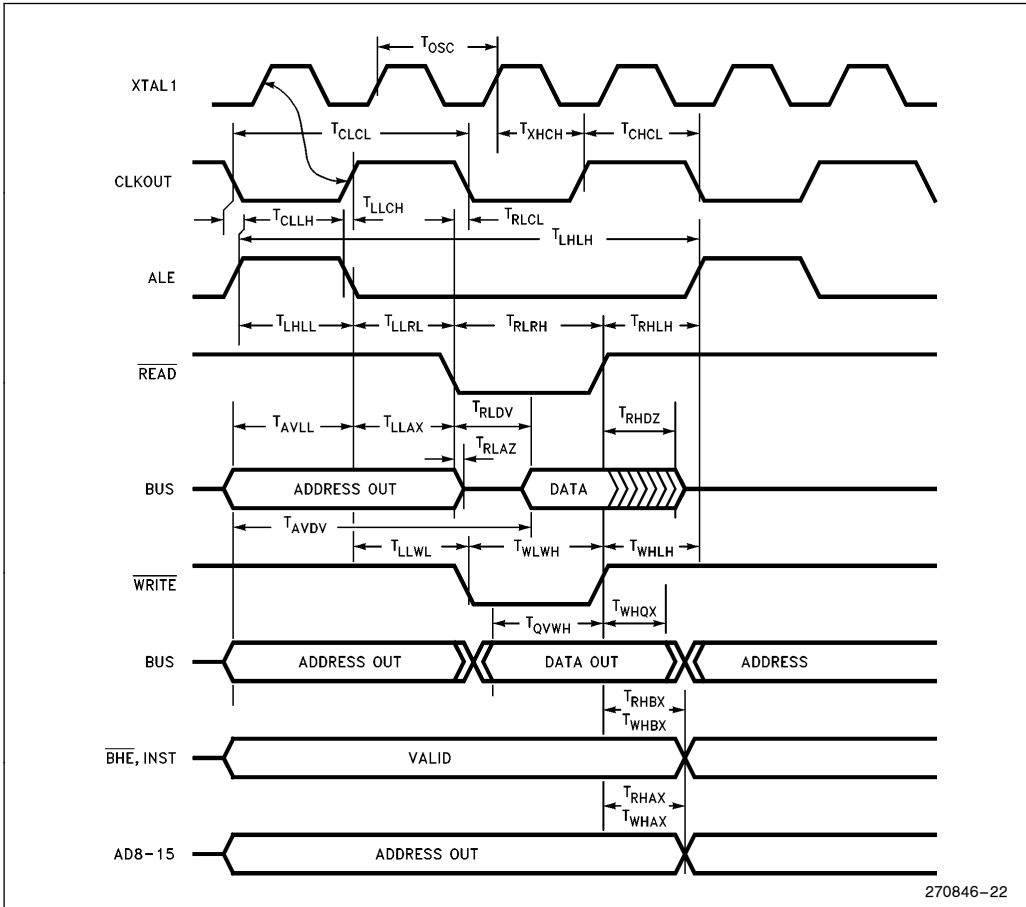
Test Conditions: Capacitive load on all pins = 100 pF, Rise and fall times = 10 ns,  $F_{OSC} = 16$  MHz**The 87C196KC will meet these specifications:**

| Symbol     | Description   | Min            | Max            | Units | Notes    |
|------------|---|----------------|----------------|-------|----------|
| $F_{XTAL}$ | Frequency on XTAL <sub>1</sub>                            | 4.0            | 16             | MHz   | (Note 1) |
| $T_{OSC}$  | $1/F_{XTAL}$  | 62.5           | 250            | ns    |          |
| $T_{XHCH}$ | XTAL1 High to CLKOUT High or Low                          | 20             | 110            | ns    |          |
| $T_{CLCL}$ | CLKOUT Cycle Time   | $2 T_{OSC}$    |                | ns    |          |
| $T_{CHCL}$ | CLKOUT High Period  | $T_{OSC} - 10$ | $T_{OSC} + 15$ | ns    |          |
| $T_{CLLH}$ | CLKOUT Falling Edge to ALE Rising                         | -5             | 15             | ns    |          |
| $T_{LLCH}$ | ALE Falling Edge to CLKOUT Rising                         | -20            | +15            | ns    |          |
| $T_{LHLH}$ | ALE Cycle Time  | $4 T_{OSC}$    |                | ns    | (Note 4) |
| $T_{LHLL}$ | ALE High Period   | $T_{OSC} - 10$ | $T_{OSC} + 10$ | ns    |          |
| $T_{AVLL}$ | Address Setup to ALE Falling Edge                         | $T_{OSC} - 15$ |                |       |          |
| $T_{LLAX}$ | Address Hold after ALE Falling Edge                       | $T_{OSC} - 40$ |                | ns    |          |
| $T_{LLRL}$ | ALE Falling Edge to $\overline{RD}$ Falling Edge          | $T_{OSC} - 30$ |                | ns    |          |
| $T_{RLCL}$ | $\overline{RD}$ Low to CLKOUT Falling Edge                | 0              | 35             | ns    |          |
| $T_{RLRH}$ | $\overline{RD}$ Low Period                                | $T_{OSC} - 5$  |                | ns    | (Note 4) |
| $T_{RHLH}$ | $\overline{RD}$ Rising Edge to ALE Rising Edge            | $T_{OSC}$      | $T_{OSC} + 25$ | ns    | (Note 2) |
| $T_{RLAZ}$ | $\overline{RD}$ Low to Address Float                      |                | 5              | ns    |          |
| $T_{LLWL}$ | ALE Falling Edge to $\overline{WR}$ Falling Edge          | $T_{OSC} - 10$ |                | ns    |          |
| $T_{CLWL}$ | CLKOUT Low to $\overline{WR}$ Falling Edge                | 0              | 25             | ns    |          |
| $T_{QVWH}$ | Data Stable to $\overline{WR}$ Rising Edge                | $T_{OSC} - 30$ |                |       | (Note 4) |
| $T_{CHWH}$ | CLKOUT High to $\overline{WR}$ Rising Edge                | -10            | 15             | ns    |          |
| $T_{WLWH}$ | $\overline{WR}$ Low Period                                | $T_{OSC} - 30$ |                | ns    | (Note 4) |
| $T_{WHQX}$ | Data Hold after $\overline{WR}$ Rising Edge               | $T_{OSC} - 25$ |                | ns    |          |
| $T_{WHLH}$ | $\overline{WR}$ Rising Edge to ALE Rising Edge            | $T_{OSC} - 10$ | $T_{OSC} + 15$ | ns    | (Note 2) |
| $T_{WHBX}$ | $\overline{BHE}$ , INST after $\overline{WR}$ Rising Edge | $T_{OSC} - 10$ |                | ns    |          |
| $T_{WHAX}$ | AD8-15 HOLD after $\overline{WR}$ Rising                  | $T_{OSC} - 30$ |                | ns    | (Note 3) |
| $T_{RHBX}$ | $\overline{BHE}$ , INST after $\overline{RD}$ Rising Edge | $T_{OSC} - 10$ |                | ns    |          |
| $T_{RHAX}$ | AD8-15 HOLD after $\overline{RD}$ Rising                  | $T_{OSC} - 30$ |                | ns    | (Note 3) |

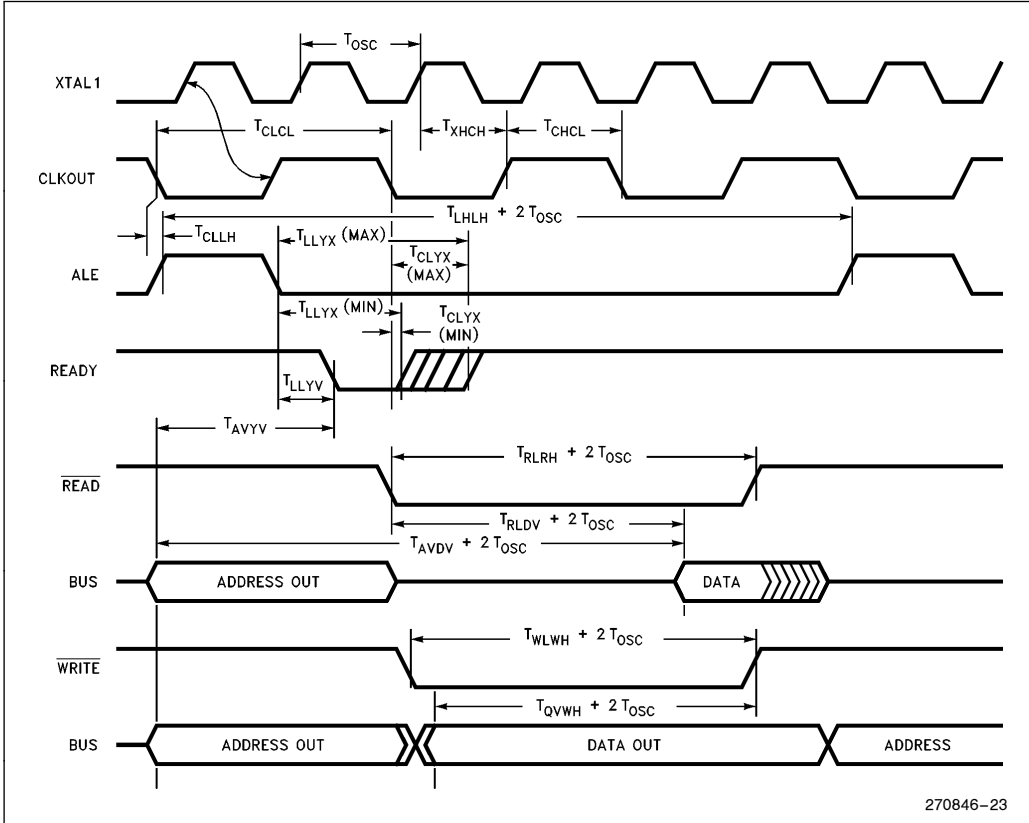
**NOTES:**

1. Testing performed at 4.0 MHz. However, the device is static by design and will typically operate below 1 Hz.
2. Assuming back-to-back bus cycles.
3. 8-Bit bus only.
4. If wait states are used, add  $2 T_{OSC} * N$ , where N = number of wait states.

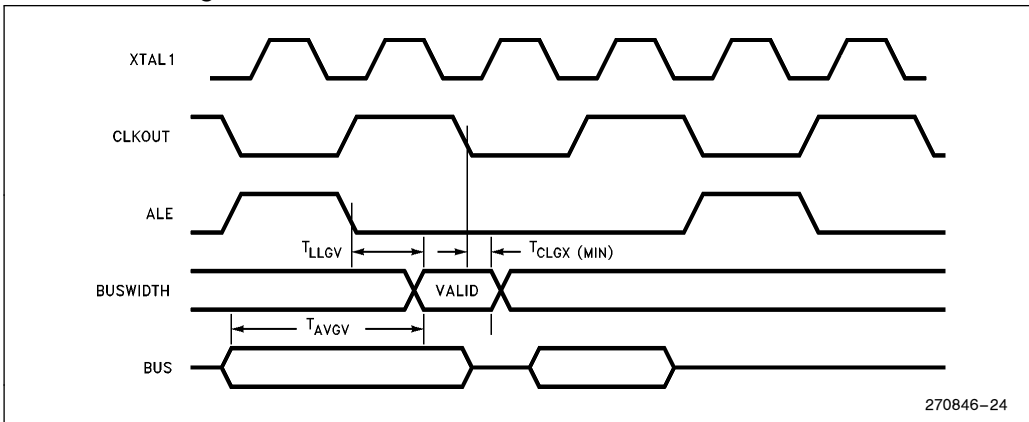
System Bus Timings



**READY Timings (One Waitstate)**



**Buswidth Timings**



**HOLD/HLDA Timings**

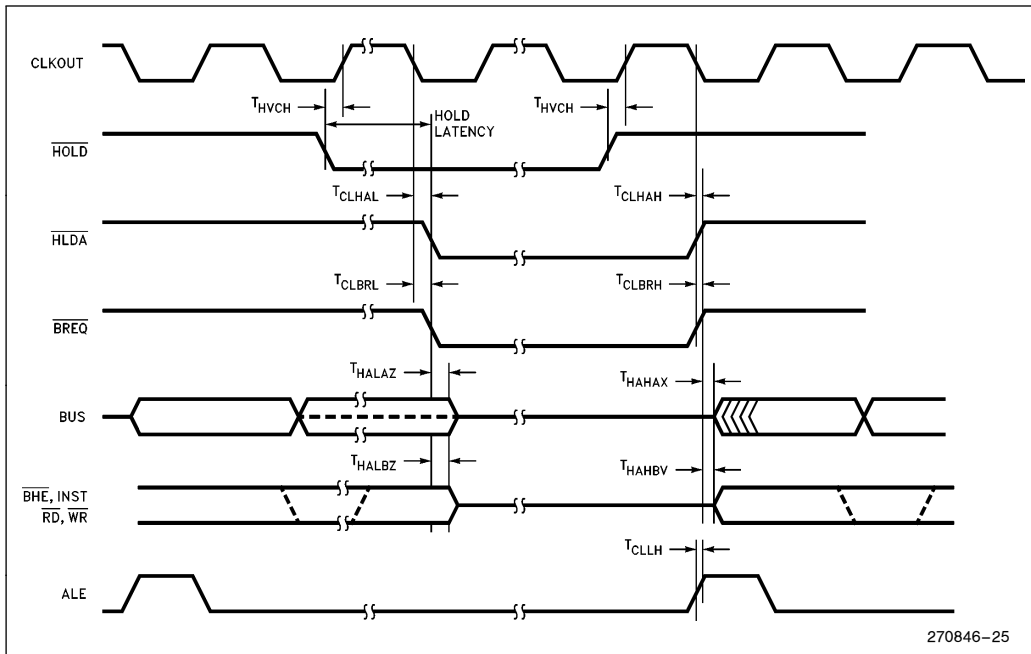
| Symbol             | Description  | Min | Max | Units | Notes    |
|--------------------|--|-----|-----|-------|----------|
| T <sub>HVCH</sub>  | HOLD Setup   | 55  |     | ns    | (Note 1) |
| T <sub>CLHAL</sub> | CLKOUT Low to HLDA Low   | -15 | 15  | ns    |          |
| T <sub>CLBRL</sub> | CLKOUT Low to BREQ Low   | -15 | 15  | ns    |          |
| T <sub>AZHAL</sub> | $\overline{\text{HLDA}}$ Low to Address Float  |     | 15  | ns    |          |
| T <sub>BZHAL</sub> | $\overline{\text{HLDA}}$ Low to $\overline{\text{BHE}}$ , $\overline{\text{INST}}$ , $\overline{\text{RD}}$ , $\overline{\text{WR}}$ Weakly Driven |     | 15  | ns    |          |
| T <sub>CLHAH</sub> | CLKOUT Low to HLDA High  | -15 | 15  | ns    |          |
| T <sub>CLBRH</sub> | CLKOUT Low to BREQ High  | -15 | 15  | ns    |          |
| T <sub>HAHAX</sub> | HLDA High to Address No Longer Float   | -15 |     | ns    |          |
| T <sub>HAHBV</sub> | HLDA High to $\overline{\text{BHE}}$ , $\overline{\text{INST}}$ , $\overline{\text{RD}}$ , $\overline{\text{WR}}$ Valid                            | -10 |     | ns    |          |
| T <sub>CLLH</sub>  | CLKOUT Low to ALE High   | -5  | 15  | ns    |          |

**NOTE:**

1. To guarantee recognition at next clock.

**DC SPECIFICATIONS IN HOLD**

|   | Min | Max  | Units                           |
|---|-----|------|---------------------------------|
| Weak Pullups on $\overline{\text{ADV}}$ , $\overline{\text{RD}}$ , $\overline{\text{WR}}$ , $\overline{\text{WRL}}$ , $\overline{\text{BHE}}$ | 50K | 250K | $V_{CC} = 5.5V, V_{IN} = 0.45V$ |
| Weak Pulldowns on $\overline{\text{ALE}}$ , $\overline{\text{INST}}$  | 10K | 50K  | $V_{CC} = 5.5V, V_{IN} = 2.4$   |

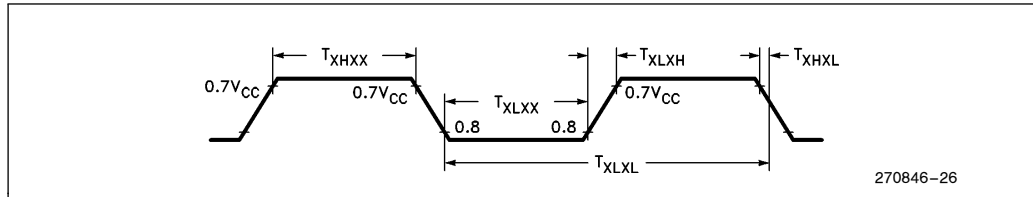


270846-25

**EXTERNAL CLOCK DRIVE**

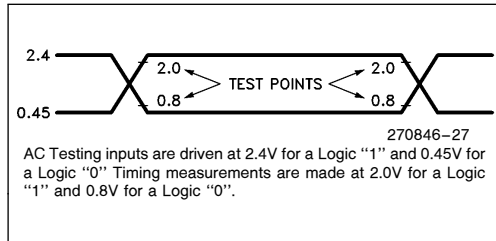
| Symbol       | Parameter            | Min  | Max  | Units |
|--------------|----------------------|------|------|-------|
| $1/T_{XLXL}$ | Oscillator Frequency | 4.0  | 16.0 | MHz   |
| $T_{XLXL}$   | Oscillator Frequency | 62.5 | 250  | ns    |
| $T_{XHXX}$   | High Time            | 22   |      | ns    |
| $T_{XLXX}$   | Low Time             | 22   |      | ns    |
| $T_{XLXH}$   | Rise Time            |      | 10   | ns    |
| $T_{XHXL}$   | Fall Time            |      | 10   | ns    |

**EXTERNAL CLOCK DRIVE WAVEFORMS**

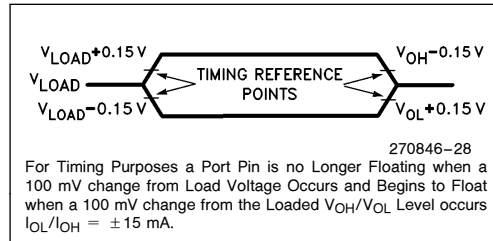


An external oscillator may encounter as much as a 100 pF load at XTAL1 when it starts-up. This is due to interaction between the amplifier and its feedback capacitance. Once the external signal meets the  $V_{IL}$  and  $V_{IH}$  specifications, the capacitance will not exceed 20 pF.

**AC TESTING INPUT, OUTPUT WAVEFORMS**



**FLOAT WAVEFORMS**



**EXPLANATION OF AC SYMBOLS**

Each symbol is two pairs of letters prefixed by "T" for time. The characters in a pair indicate a signal and its condition, respectively. Symbols represent the time between the two signal/condition points.

**Conditions:**

- H— High
- L— Low
- V— Valid
- X— No Longer Valid
- Z— Floating

**Signals:**

- A— Address
- B—  $\overline{BHE}$
- C— CLKOUT
- D— DATA
- G— Buswidth
- H—  $\overline{HOLD}$
- HA—  $\overline{HLDA}$

**L— ALE/ $\overline{ADV}$**

- BR—  $\overline{BREQ}$
- R—  $\overline{RD}$
- W—  $\overline{WR}/\overline{WRH}/\overline{WRL}$
- X— XTAL1
- Y— READY
- Q— Data Out

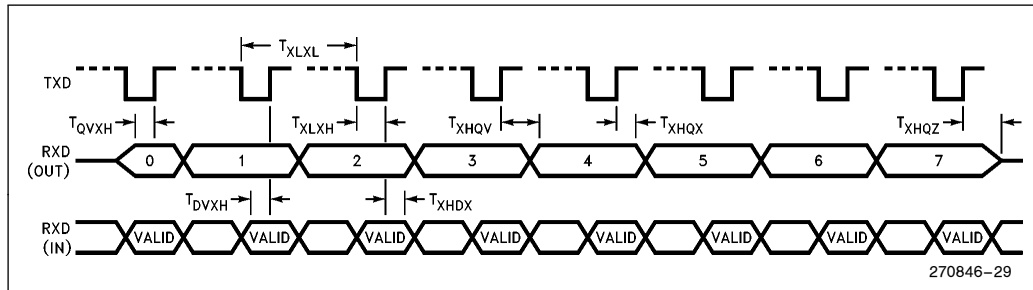
**AC CHARACTERISTICS—SERIAL PORT—SHIFT REGISTER MODE**

**SERIAL PORT TIMING—SHIFT REGISTER MODE**

| Symbol            | Parameter   | Min                     | Max                     | Units |
|-------------------|---|-------------------------|-------------------------|-------|
| T <sub>XLXL</sub> | Serial Port Clock Period (BRR ≥ 8002H)                      | 6 T <sub>OSC</sub>      |                         | ns    |
| T <sub>XLXH</sub> | Serial Port Clock Falling Edge to Rising Edge (BRR ≥ 8002H) | 4 T <sub>OSC</sub> - 50 | 4 T <sub>OSC</sub> + 50 | ns    |
| T <sub>XLXL</sub> | Serial Port Clock Period (BRR = 8001H)                      | 4 T <sub>OSC</sub>      |                         | ns    |
| T <sub>XLXH</sub> | Serial Port Clock Falling Edge to Rising Edge (BRR = 8001H) | 2 T <sub>OSC</sub> - 50 | 2 T <sub>OSC</sub> + 50 | ns    |
| T <sub>QVXH</sub> | Output Data Setup to Clock Rising Edge                      | 2 T <sub>OSC</sub> - 50 |                         | ns    |
| T <sub>XHQX</sub> | Output Data Hold after Clock Rising Edge                    | 2 T <sub>OSC</sub> - 50 |                         | ns    |
| T <sub>XHQV</sub> | Next Output Data Valid after Clock Rising Edge              |                         | 2 T <sub>OSC</sub> + 50 | ns    |
| T <sub>DVXH</sub> | Input Data Setup to Clock Rising Edge                       | T <sub>OSC</sub> + 50   |                         | ns    |
| T <sub>XHDX</sub> | Input Data Hold after Clock Rising Edge                     | 0                       |                         | ns    |
| T <sub>XHQZ</sub> | Last Clock Rising to Output Float                           |                         | 1 T <sub>OSC</sub>      | ns    |

**WAVEFORM—SERIAL PORT—SHIFT REGISTER MODE**

**SERIAL PORT WAVEFORM—SHIFT REGISTER MODE**



270846-29





**EPROM SPECIFICATIONS**

**AC EPROM Programming Characteristics**

Operating Conditions: Load Capacitance = 150 pF,  $T_A = +25^{\circ}\text{C} \pm 5^{\circ}\text{C}$ ,  $V_{CC}$ ,  $V_{REF} = 5\text{V}$ ,  $V_{SS}$ ,  $\text{ANGND} = 0\text{V}$ ,  $V_{PP} = 12.50\text{V} \pm 0.25\text{V}$ ,  $\text{EA} = 12.50\text{V} \pm 0.25\text{V}$

| Symbol           | Description  | Min  | Max | Units     |
|------------------|--|------|-----|-----------|
| $T_{SHLL}$       | Reset High to First $\overline{\text{PALE}}$ Low                   | 1100 |     | $T_{OSC}$ |
| $T_{LLH}$        | $\overline{\text{PALE}}$ Pulse Width                               | 50   |     | $T_{OSC}$ |
| $T_{AVLL}$       | Address Setup Time   | 0    |     | $T_{OSC}$ |
| $T_{LLAX}$       | Address Hold Time  | 100  |     | $T_{OSC}$ |
| $T_{PLDV}$       | $\overline{\text{PROG}}$ Low to Word Dump Valid                    |      | 50  | $T_{OSC}$ |
| $T_{PHDX}$       | Word Dump Data Hold  |      | 50  | $T_{OSC}$ |
| $T_{DVPL}$       | Data Setup Time  | 0    |     | $T_{OSC}$ |
| $T_{PLDX}$       | Data Hold Time   | 400  |     | $T_{OSC}$ |
| $T_{PLPH}^{(2)}$ | $\overline{\text{PROG}}$ Pulse Width                               | 50   |     | $T_{OSC}$ |
| $T_{PHLL}$       | $\overline{\text{PROG}}$ High to Next $\overline{\text{PALE}}$ Low | 220  |     | $T_{OSC}$ |
| $T_{LHPL}$       | $\overline{\text{PALE}}$ High to $\overline{\text{PROG}}$ Low      | 220  |     | $T_{OSC}$ |
| $T_{PHPL}$       | $\overline{\text{PROG}}$ High to Next $\overline{\text{PROG}}$ Low | 220  |     | $T_{OSC}$ |
| $T_{PHIL}$       | $\overline{\text{PROG}}$ High to $\overline{\text{AINC}}$ Low      | 0    |     | $T_{OSC}$ |
| $T_{ILIH}$       | $\overline{\text{AINC}}$ Pulse Width                               | 240  |     | $T_{OSC}$ |
| $T_{ILVH}$       | $\overline{\text{PVER}}$ Hold after $\overline{\text{AINC}}$ Low   | 50   |     | $T_{OSC}$ |
| $T_{ILPL}$       | $\overline{\text{AINC}}$ Low to $\overline{\text{PROG}}$ Low       | 170  |     | $T_{OSC}$ |
| $T_{PHVL}$       | $\overline{\text{PROG}}$ High to $\overline{\text{PVER}}$ Valid    |      | 220 | $T_{OSC}$ |

**NOTES:**

1. Run Time Programming is done with  $F_{OSC} = 6.0\text{ MHz to }12.0\text{ MHz}$ ,  $V_{REF} = 5\text{V} \pm 0.50\text{V}$ .  $T_A = +25^{\circ}\text{C to } \pm 5^{\circ}\text{C}$  and  $V_{PP} = 12.50\text{V}$ . For run-time programming over a full operating range, contact the factory.
2. This specification is for the Word Dump Mode. For programming pulses, use  $300 T_{OSC} + 100 \mu\text{s}$ .

**DC EPROM Programming Characteristics**

| Symbol   | Description                                | Min | Max | Units |
|----------|--|-----|-----|-------|
| $I_{PP}$ | $V_{PP}$ Supply Current (When Programming) |     | 100 | mA    |

**NOTE:**

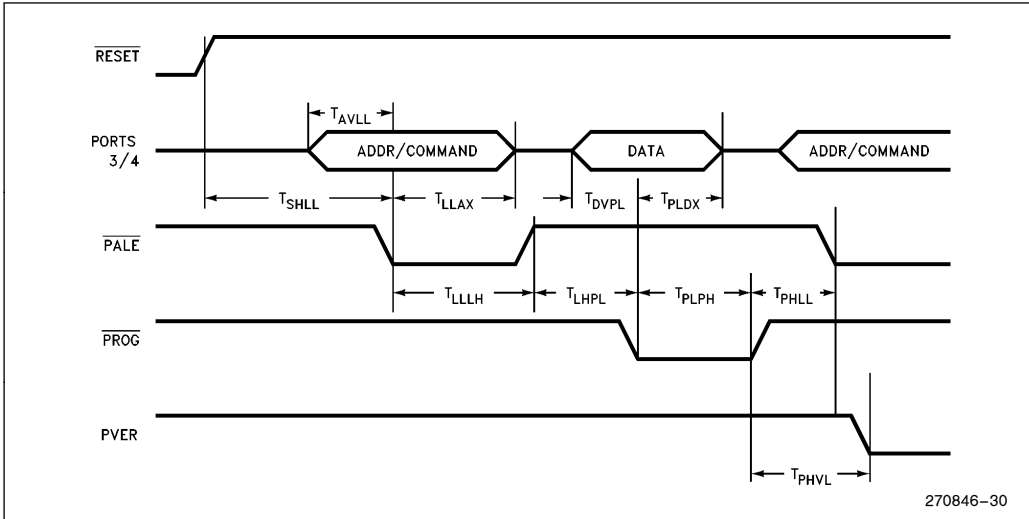
$V_{PP}$  must be within 1V of  $V_{CC}$  while  $V_{CC} < 4.5\text{V}$ .  $V_{PP}$  must not have a low impedance path to ground of  $V_{SS}$  while  $V_{CC} > 4.5\text{V}$ .



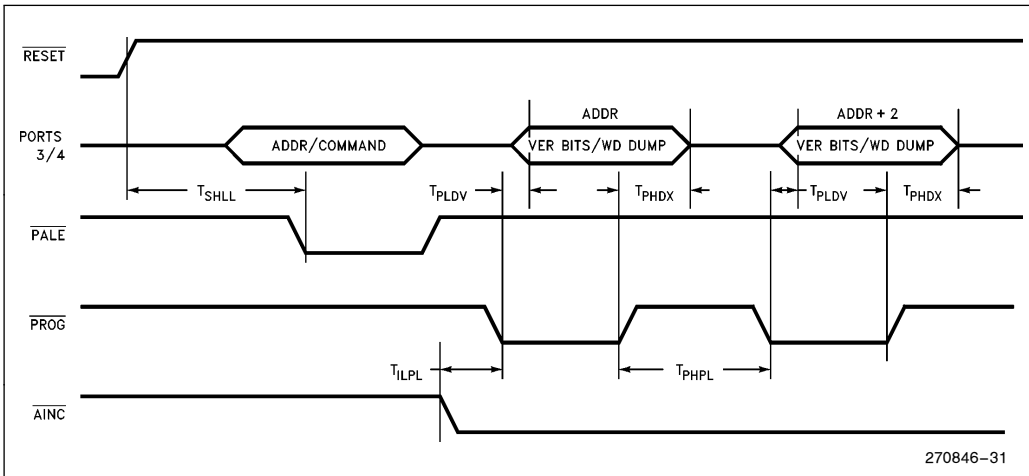


**EPROM PROGRAMMING WAVEFORMS**

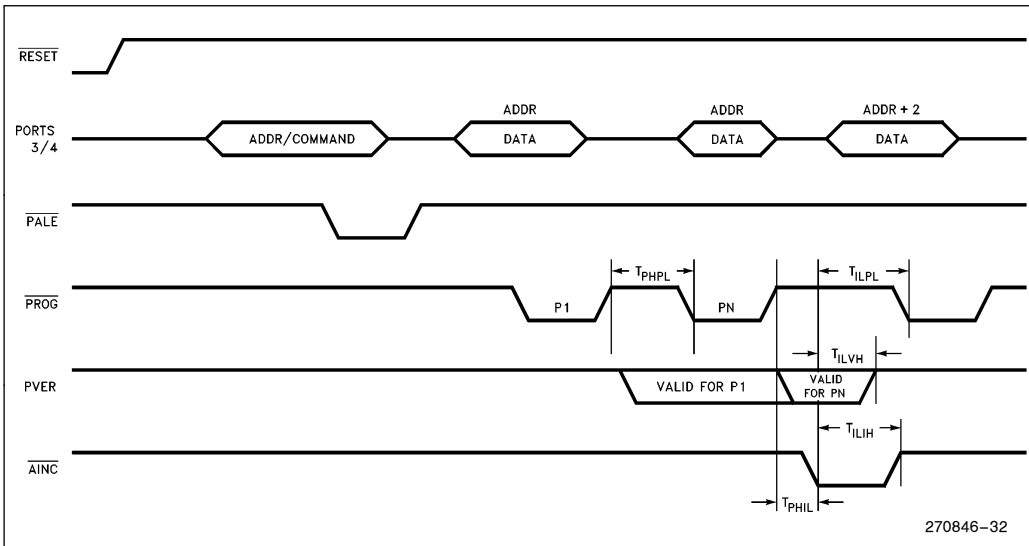
**SLAVE PROGRAMMING MODE DATA PROGRAM MODE WITH SINGLE PROGRAM PULSE**



**SLAVE PROGRAMMING MODE IN WORD DUMP WITH AUTO INCREMENT**



**SLAVE PROGRAMMING MODE TIMING IN DATA PROGRAM WITH REPEATED PROG PULSE AND AUTO INCREMENT**



### 10-BIT A/D CHARACTERISTICS

The speed of the A/D converter in the 10-bit mode can be adjusted by setting a clock prescaler on or off. At high frequencies more time is needed for the comparator to settle. The maximum frequency with the clock prescaler disabled is 6 MHz. The conversion times with the prescaler turned on or off is shown in the table below. The AD\_TIME register has not been characterized for the 10-bit mode.

The converter is ratiometric, so the absolute accuracy is dependent on the accuracy and stability

of  $V_{REF}$ .  $V_{REF}$  must be close to  $V_{CC}$  since it supplies both the resistor ladder and the digital section of the converter.

### A/D CONVERTER SPECIFICATIONS

The specifications given below assume adherence to the Operating Conditions section of this data sheet. Testing is performed with  $V_{REF} = 5.12V$ .

| <b>Clock Prescaler On<br/>IOC2.4 = 0</b> | <b>Clock Prescaler Off<br/>IOC2.4 = 1</b> |
|--|---|
| 156.5 States<br>19.5 $\mu s$ @ 16 MHz    | 89.5 States<br>29.8 $\mu s$ @ 6 MHz       |

| <b>Parameter</b>                 | <b>Typical (3)</b> | <b>Minimum</b> | <b>Maximum</b> | <b>Units*</b>  | <b>Notes</b> |
|----------------------------------|--------------------|----------------|----------------|----------------|--------------|
| Resolution                       |                    | 1024<br>10     | 1024<br>10     | Levels<br>Bits |              |
| Absolute Error                   |                    | 0              | $\pm 4$        | LSBs           |              |
| Full Scale Error                 | $\pm 3$            |                |                | LSBs           |              |
| Zero Offset Error                | $\pm 3$            |                |                | LSBs           |              |
| Non-Linearity                    |                    | 0              | $\pm 4$        | LSBs           |              |
| Differential Non-Linearity Error |                    | $> -1$         | +2             | LSBs           |              |
| Channel-to-Channel Matching      |                    | 0              | $\pm 1$        | LSBs           |              |
| Repeatability                    | $\pm 0.25$         |                |                | LSBs           |              |
| Temperature Coefficients:        |                    |                |                |                |              |
| Offset                           | 0.009              |                |                | LSB/°C         |              |
| Full Scale                       | 0.009              |                |                | LSB/°C         |              |
| Differential Non-Linearity       | 0.009              |                |                | LSB/°C         |              |
| Off Isolation                    |                    | -60            |                | dB             | 1, 2         |
| Feedthrough                      | -60                |                |                | dB             | 1            |
| $V_{CC}$ Power Supply Rejection  | -60                |                |                | dB             | 1            |
| Input Resistance                 |                    | 750            | 1.2K           | $\Omega$       |              |
| DC Input Leakage                 |                    | 0              | 3.0            | $\mu A$        |              |
| Sample Time: Prescaler On        | 16                 |                |                | States         |              |
| Prescaler Off                    | 8                  |                |                | States         |              |
| Input Capacitance                | 3                  |                |                | pF             |              |

**NOTES:**

- \*An "LSB", as used here, has a value of approximately 5 mV.
- 1. DC to 100 KHz.
- 2. Multiplexer Break-Before-Make Guaranteed.
- 3. Typical values are expected for most devices at 25°C.



**8-BIT MODE A/D CHARACTERISTICS**

The 8-bit mode trades off resolution for a faster conversion time. The AD\_TIME register must be used when performing an 8-bit conversion.

| Sample Time<br>20 States               | Convert Time<br>56 States |
|--|---------------------------|
| A6H in AD_TIME<br>9.8 $\mu$ s @ 16 MHz |                           |

The following specifications are tested @ 16 MHz with OA6H in AD\_TIME. The actual AD\_TIME register is tested with all possible values, to ensure functionality, but the accuracy of the A/D converter is not.

| Parameter                        | Typical    | Minimum  | Maximum  | Units*            | Notes |
|----------------------------------|------------|----------|----------|-------------------|-------|
| Resolution                       |            | 256<br>8 | 256<br>8 | Levels<br>Bits    |       |
| Absolute Error                   |            | 0        | $\pm 2$  | LSBs              |       |
| Full Scale Error                 | $\pm 1$    |          |          | LSBs              |       |
| Zero Offset Error                | $\pm 2$    |          |          | LSBs              |       |
| Non-Linearity                    |            | 0        | $\pm 2$  | LSBs              |       |
| Differential Non-Linearity Error |            | $> -1$   | + 1      | LSBs              |       |
| Channel-to-Channel Matching      |            |          | $\pm 1$  | LSBs              |       |
| Repeatability                    | $\pm 0.25$ |          |          | LSBs              |       |
| Temperature Coefficients:        |            |          |          |                   |       |
| Offset                           | 0.003      |          |          | LSB/ $^{\circ}$ C |       |
| Full Scale                       | 0.003      |          |          | LSB/ $^{\circ}$ C |       |
| Differential Non-Linearity       | 0.003      |          |          | LSB/ $^{\circ}$ C |       |

**NOTES:**

\*An "LSB", as used here, has a value of approximately 20 mV.

1. Typical values are expected for most devices at 25 $^{\circ}$ C.

**8XC196KB TO 87C196KC DESIGN CONSIDERATIONS**

1. Memory Map. The 87C196KC has 512 bytes of RAM/SFRs and 16K of ROM/EPROM. The extra 256 bytes of RAM will reside in locations 100H–1FFH and the extra 8K of EPROM will reside in locations 4000H–5FFFH. These locations are external memory on the 87C196KB.
2. The CDE pin on the KB has become a V<sub>SS</sub> pin on the KC to support 16 MHz operation.
3. EPROM programming. The 87C196KC has a different programming algorithm to support 16K of on-board memory. When performing Run-Time Programming, use the section of code on page 99 of the 80C196KC User's Guide, Order Number 270704.

4. ONCE Mode Entry. The ONCE mode is entered on the 87C196KC by driving the TXD pin low on the rising edge of RESET. The TXD pin is held high by a pullup that is specified at 1.4 mA and remain at 2.0V. This Pullup must not be overridden or the 87C196KC will enter the ONCE mode.
5. During the bus HOLD state, the 87C196KC weakly holds RD, WR, ALE, BHE and INST in their inactive states. The 87C196KB only holds ALE in its inactive state.
6. A RESET pulse from the 87C196KC is 16 states rather than 4 states as on the 87C196KB (i.e., a watchdog timer overflow). This provides a longer RESET pulse for other devices in the system.



**87C196KC B-3 STEP ERRATA**

1. NMI during PTS skips an address: When an NMI interrupts a PTS routine, the first byte of the instruction following completion of the PTS cycle is lost. This results in incorrect code execution. Workaround: NMI must be disabled using external hardware during any PTS activity.
2. QBD port glitch. There is a strong negative glitch on all QBD Port pins (P1.x and P2.6, P2.7) synchronous with the first falling edge of CLKOUT. This glitch lasts about 10 ns, and only occurs one time following the initial application of  $V_{CC}$ . The time for the pin to return to  $V_{CC}$  may be several microseconds, depending on pin loading capacitance. Workaround: External systems and devices should be disabled from responding to this glitch until after the first CLKOUT falling edge has occurred.
3. Divide error during HOLD or READY. The result of a signed divide instruction may be off by one if executed while the device is held off the bus by HOLD or READY and the queue is empty. Specific timings of HOLD or READY going active or inactive must be met. Workaround for HOLD: disable HOLD during signed divide operations (using hardware or software). Workaround for READY: problem will only occur if unlimited wait state mode is selected, and 14 or more wait states are inserted.
4. The HSI unit has two errata: one dealing with resolution and the other with first entries into the FIFO.

The HSI resolution is 9 states instead of 8 states. Events on the same line may be lost if they occur faster than once every 9 state times.

There is a mismatch between the 9 state time HSI resolution and the 8 state time timer. This causes one time value to be unused every 9 timer counts.

Events may receive a time-tag on one count later than expected because of this "skipped" time value.

If the first two events into an empty FIFO (not including the Holding Register) occur in the same internal phase, both are recorded with one time-tag. Otherwise, if the second event occurs within 9 states after the first, its time-tag is one count later than the first time tag. If this is the "skipped" time value, the second event's time-tag is 2 counts later than the first's.

If the FIFO and Holding Register are empty, the first event will transfer into the Holding Register after 8 state times, leaving the FIFO empty again. If the second event occurs after this time, it will act as a new first event into an empty FIFO.

**DATASHEET REVISION HISTORY**

The following are the key differences between this datasheet and the -003 version:

1. The "advanced information" status was dropped and replaced with production status (no label).
2. Trademarks were updated.