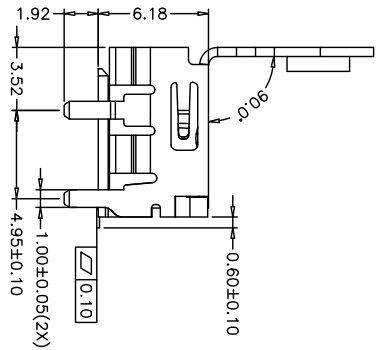
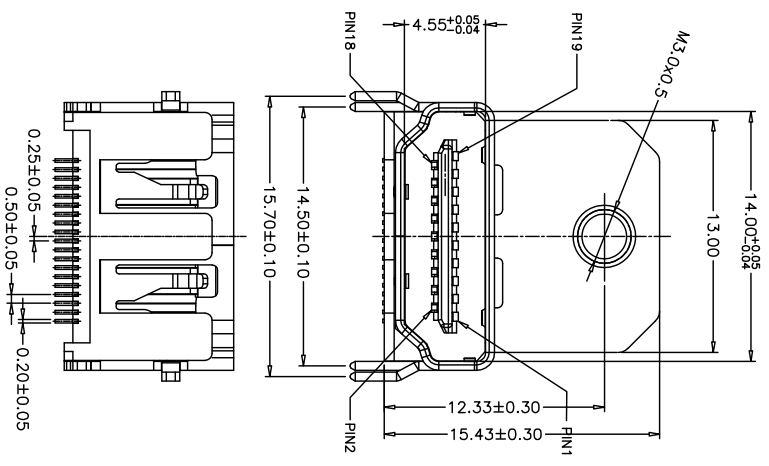
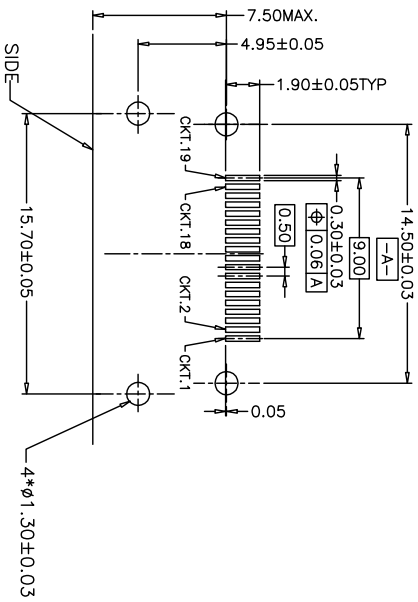
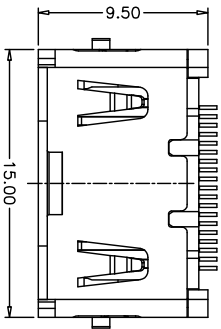


Rev	AWO #	Description	Date	Appr
-		RELEASED	6/09/10	

APPROVED: _____
 DATE: _____ TITLE: _____



SPECIFICATIONS:

- Material: Housing: Hi-temp thermoplastic, UL 94V-0
- Housing color: Black
- Contact: Phosphor Bronze
- Shield: Brass
- Plating: 15u" Gold over Nickel underplate on contact area, Tin over Copper underplate on tails.

Electrical:

- Voltage rating: 40V
- Current rating: 0.5A
- Dielectric strength: 500VAC for 1 minute min.
- Insulation resistance: 100 Megohm min.
- Contact resistance: 30 mohms max.
- Environmental: Lead free, RoHS Compliant
- Recommended soldering temp: 260°C for 5 seconds.



UNLESS OTHERWISE SPECIFIED ALL DIMENSIONS ARE MM	
TOLERANCES: EXCEPT AS NOTED	
INCHES	HOLDS
.X ± .10	ØXX ± .10
.XX ± .020	ØXXX ± .015
.XXX ± .015	ØXXXX ± .010
APPROVALS	DATE
DRAWN	6/09/10
CHECKED	
APPROVED	

ADAM TECH
 909 Rahway Avenue, Union, NJ 07083
 Phone: 908-687-5000 Fax: 908-687-5710

TITLE: HDMI CONNECTOR WITH MOUNTING FLANGE
 RIGHT ANGLE, SMT TYPE

SIZE	PART NO.	REV.
X	HDMI-S-RA1-SMT-02-MF-15	-
REF:	S00015C	SHEET 1 OF 1
SCALE:	NTS	