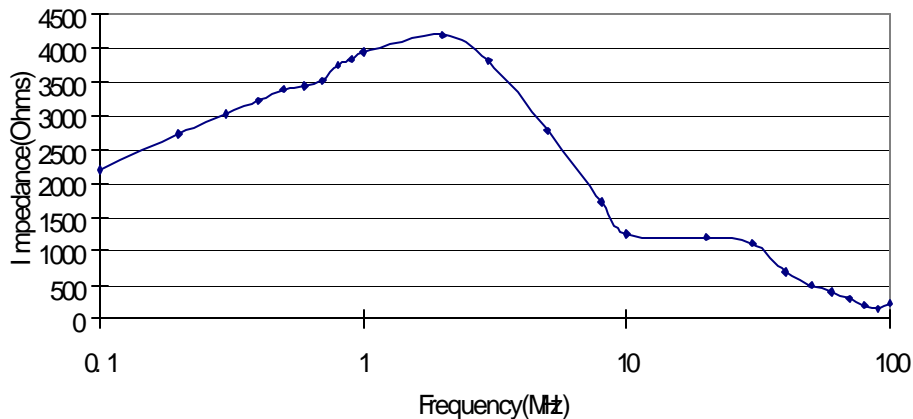
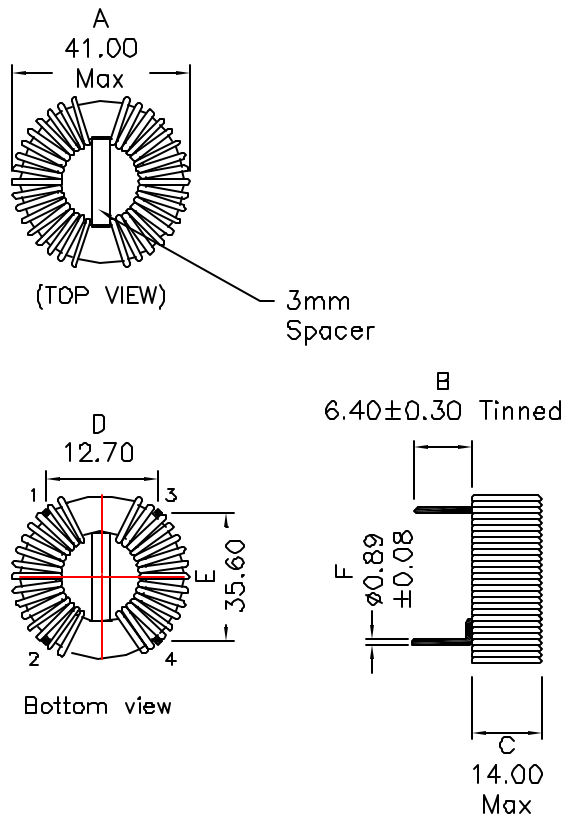
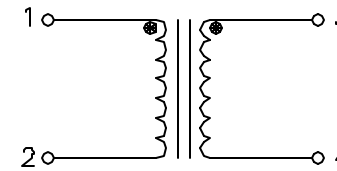


1. Mechanical Dimensions:



DOC REV: A/3

2. Schematic:



3. Electrical Specifications: @25°C

- OCL: 3.7mH Min @10KHz 0.1V, Each Wdg
 1.5mH Min @10KHz 0.1V, Each Wdg (-40°C to 10°C)
 3.7mH Min @10KHz 0.1V, Each Wdg (10°C to 85°C)
- Q: 50 Min @10KHz 0.1V, Each Wdg
- LL: 55µH Max @10KHz 0.1V Short Opp. Wdg.
- DCR: 45 mOhms Max, Each Wdg
- CURRENT RATING: 6A
- Hi-pot: 1500Vac for 2 Sec Wdg to Wdg

Notes:

- Solderability: Leads shall meet MIL-STD-202G, Method 208H for solderability.
- Flammability: UL94V-0
- ASTM oxygen index: > 28%
- Insulation System: Class F 155°C. UL file E151558
- All listed parameters are to be within tolerance from -40°C to +85°C unless otherwise noted
- Storage Temperature Range: -55°C to +125°C
- Aqueous wash compatible
- Electrical and mechanical specifications 100% tested
- RoHS Compliant Component

XFMRs Inc. www.XFMRs.com		Title: COMMON MODE CHOKE	
UNLESS OTHERWISE SPECIFIED		P/N: XF0374-HDCMC	REV. A
TOLERANCES: .xx ±0.25		DWN.	Mei Chen Oct-29-10
Dimensions in MM		CHK.	YK Liao Oct-29-10
SHEET 1 OF 1		APP.	Joe Huff Oct-29-10