

## JRW450U Orca\* Series; DC-DC Converter Power Modules

36–75 Vdc Input; 48Vdc Output; 450W Output

### RoHS Compliant



### Applications

- RF Power Amplifier
- Wireless Networks
- Switching Networks

### Options

- Output OCP/OVP auto restart
- Shorter pins
- Unthreaded heat sink holes

### Description

The JRCW450U Orca series of dc-dc converters are a new generation of isolated, very high efficiency DC/DC power modules providing up to 450W output power in an industry standard half-brick size footprint, which makes it an ideal choice for high voltage and high power applications. Threaded-through holes are provided to allow easy mounting or addition of a heat sink for high-temperature applications. The output is fully isolated from the input, allowing versatile polarity configurations and grounding connections.

\* Trademark of the General Electric Company

# UL is a registered trademark of Underwriters Laboratories, Inc.

† CSA is a registered trademark of Canadian Standards Association.

‡ VDE is a trademark of Verband Deutscher Elektrotechniker e.V.

\*\* ISO is a registered trademark of the International Organization of Standards

### Features

- Compliant to RoHS II EU Directive 2011/65/EC (-Z versions)
- Compliant to REACH Directive (EC) No 1907/2006
- High power density: 166 W/in<sup>3</sup>
- Very high efficiency: >94% Typ at Full Load
- Industry standard half-brick pin-out
- Low output ripple and noise
- Industry standard half-brick footprint  
57.7mm x 60.7mm x 12.7mm  
(2.27" x 2.39" x 0.5")
- Remote Sense
- 2:1 input voltage range
- Single tightly regulated output
- Constant switching frequency
- Constant Current Overcurrent limit
- Latch after short circuit fault shutdown
- Over temperature protection auto restart
- Output voltage adjustment trim, 28.8V<sub>dc</sub> to 57.6V<sub>dc</sub>
- Wide operating case temperature range (-40°C to 100°C)
- CE mark meets 2006/95/EC directives<sup>§</sup>
- ANSI/UL# 60950-1, 2nd Ed. Recognized, CSA<sup>†</sup> C22.2 No. 60950-1-07 Certified, and VDE<sup>‡</sup> 0805-1 (EN60950-1, 2nd Ed.) Licensed
- ISO\*\* 9001 and ISO 14001 certified manufacturing facilities

## JRCW450U Orca Series; DC-DC Converter Power Modules

### 36–75 Vdc Input; 48.0Vdc Output; 450W Output

### Absolute Maximum Ratings

Stresses in excess of the absolute maximum ratings can cause permanent damage to the device. These are absolute stress ratings only, functional operation of the device is not implied at these or any other conditions in excess of those given in the operations sections of the data sheet. Exposure to absolute maximum ratings for extended periods can adversely affect the device reliability.

| Parameter   | Device | Symbol           | Min  | Max  | Unit            |
|---|--------|------------------|------|------|-----------------|
| Input Voltage   |        |                  |      |      |                 |
| Continuous  | All    | $V_{IN}$         | -0.3 | 80   | V <sub>dc</sub> |
| Transient, operational (≤100 ms)  | All    | $V_{IN,trans}$   | -0.3 | 100  | V <sub>dc</sub> |
| Operating Case Temperature<br>(See Thermal Considerations section, Figure 19) | All    | T <sub>c</sub>   | -40  | 100  | °C              |
| Storage Temperature   | All    | T <sub>stg</sub> | -55  | 125  | °C              |
| I/O Isolation Voltage: Input to Case, Input to Output                         | All    | —                | —    | 1500 | V <sub>dc</sub> |
| Output to Case  | All    | —                | —    | 500  | V <sub>dc</sub> |

### Electrical Specifications

Unless otherwise indicated, specifications apply over all operating input voltage, resistive load, and temperature conditions.

| Parameter  | Device | Symbol       | Min | Typ | Max  | Unit              |
|--|--------|--------------|-----|-----|------|-------------------|
| Operating Input Voltage<br>(see Figure 12 for $V_{IN,MIN}$ when using trim-up feature)   | All    | $V_{IN}$     | 36  | 48  | 75   | V <sub>dc</sub>   |
| Maximum Input Current<br>( $V_{IN}=36V$ to $75V$ , $I_o=I_{o,max}$ )   | All    | $I_{IN,max}$ |     |     | 14.0 | A <sub>dc</sub>   |
| Inrush Transient   | All    | $I^2t$       |     |     | 2    | A <sup>2</sup> s  |
| Input Reflected Ripple Current, peak-to-peak<br>(5Hz to 20MHz, 12μH source impedance; $V_{IN}=0V$ to $75V$ , $I_o=I_{o,max}$ ; see Figure 7) | All    |              |     |     | 20   | mA <sub>p-p</sub> |
| Input Ripple Rejection (120Hz)   | All    |              |     | 40  |      | dB                |

#### CAUTION: This power module is not internally fused. An input line fuse must always be used.

This power module can be used in a wide variety of applications, ranging from simple standalone operation to being an integrated part of complex power architecture. To preserve maximum flexibility, internal fusing is not included. Always use an input line fuse, to achieve maximum safety and system protection. The safety agencies require a time-delay or fast-acting fuse with a maximum rating of 25 A in the ungrounded input connection (see Safety Considerations section). Based on the information provided in this data sheet on inrush energy and maximum dc input current, the same type of fuse with a lower rating can be used. Refer to the fuse manufacturer's data sheet for further information.

## JRCW450U Orca Series; DC-DC Converter Power Modules

### 36–75 Vdc Input; 48.0Vdc Output; 450W Output

#### Electrical Specifications (continued)

| Parameter   | Device            | Symbol                                 | Min              | Typ                  | Max               | Unit  |
|---|-------------------|--|------------------|----------------------|-------------------|---|
| Output Voltage Set-point<br>( $V_{IN}=V_{IN,nom}$ , $I_O=I_{O,max}$ , $T_c=25^\circ\text{C}$ )  | All               | $V_{O,set}$                            | 47.0             | 48                   | 49.0              | V <sub>dc</sub>                                 |
| Output Voltage Set-Point Total Tolerance<br>(Over all operating input voltage, resistive load, and temperature conditions until end of life)  | All               | $V_O$                                  | 47.0             | —                    | 49.0              | V <sub>dc</sub>                                 |
| Output Regulation<br>Line ( $V_{IN}=V_{IN,min}$ to $V_{IN,max}$ )<br>Load ( $I_O=I_{O,min}$ to $I_{O,max}$ )<br>Temperature ( $T_c = -40^\circ\text{C}$ to $+100^\circ\text{C}$ )   | All<br>All<br>All |  | —<br>—<br>—      | 0.1<br>0.1<br>0.25   | 0.2<br>0.2<br>0.5 | % $V_{O,set}$<br>% $V_{O,set}$<br>% $V_{O,set}$ |
| Output Ripple and Noise on nominal output<br>( $V_{IN}=V_{IN,nom}$ and $I_O=I_{O,min}$ to $I_{O,max}$ )<br>RMS (5Hz to 20MHz bandwidth)<br>Peak-to-Peak (5Hz to 20MHz bandwidth)  | All<br>All        |  | —<br>—           | 100<br>300           | 125<br>400        | mV <sub>rms</sub><br>mV <sub>pk-pk</sub>        |
| External Capacitance (ESR > 10 mΩ) <sup>1</sup>   | All               | $C_O$                                  | 440              |                      | 6500              | μF  |
| Output Power ( $V_O=48\text{V}$ to $57.6\text{V}$ )   | All               | $P_{O,max}$                            | —                | —                    | 450               | W   |
| Output Current  | All               | $I_O$                                  | 0                |                      | 9.4               | A <sub>dc</sub>                                 |
| Output Current Limit Inception (Constant current until $V_O < V_{trimMIN}$ , duration < 4s)   | All               | $I_{O,lim}$                            | 11.0             | —                    | 12.2              | A <sub>dc</sub>                                 |
| Output Short Circuit Current ( $V_O \leq 0.25V_{dc}$ )  | All               | $I_{O,sc}$                             |                  |                      | 15                | A <sub>rms</sub>                                |
| Efficiency<br>$V_{IN}=V_{IN,nom}$ , $T_c=25^\circ\text{C}$ , $I_O=I_{O,max}$ , $V_O=V_{O,set}$  | All               | $\eta$                                 | 93.5             | 94.0                 | —                 | %   |
| Switching Frequency   |                   | $f_{sw}$                               | —                | 180                  | —                 | kHz   |
| Dynamic Load Response<br><br>( $\Delta I_O/\Delta t=1\text{A}/10\mu\text{s}$ ; $V_{in}=V_{in,nom}$ ; $T_c=25^\circ\text{C}$ ; Tested with a 470 μF aluminum and a 10 μF ceramic capacitor across the load.)<br><br>Load Change from $I_O=50\%$ to $75\%$ of $I_{O,max}$ :<br>Peak Deviation<br>Settling Time ( $V_O < 10\%$ peak deviation)<br>Load Change from $I_O=25\%$ to $50\%$ of $I_{O,max}$ :<br>Peak Deviation<br>Settling Time ( $V_O < 10\%$ peak deviation) | All               | $V_{pk}$<br>$t_s$<br>$V_{pk}$<br>$t_s$ | —<br>—<br>—<br>— | 2<br>1.5<br>2<br>1.5 | —<br>—<br>—<br>—  | % $V_{O,set}$<br>ms<br>% $V_{O,set}$<br>ms      |

<sup>1</sup>Note: use a minimum 2 x 220uF output capacitor. Recommended capacitor is Nichicon CD series, 220uF/35V. If the ambient temperature is less than -20°C, use more than 3 of recommended minimum capacitors. When starting into maximum external capacitor, do not simultaneously apply a Constant Current electronic load set to greater than 0.5 x  $I_{O,MAX}$ ; or delay application of full CC load until  $V_O > 1.0V$ .

#### Isolation Specifications

| Parameter             | Symbol    | Min | Typ | Max | Unit |
|-----------------------|-----------|-----|-----|-----|------|
| Isolation Capacitance | $C_{iso}$ | —   | 15  | —   | nF   |
| Isolation Resistance  | $R_{iso}$ | 10  | —   | —   | MΩ   |

#### General Specifications

| Parameter  | Device | Symbol      | Min | Typ                | Max | Unit                            |
|--|--------|-------------|-----|--------------------|-----|---------------------------------|
| Calculated Reliability based upon Telcordia SR-332 Issue 3:<br>Method I Case 3 ( $I_O=80\%I_{O,max}$ , $T_A=40^\circ\text{C}$ , airflow = 200 lfm, 90% confidence) | All    | FIT<br>MTBF |     | 136.3<br>7,338,052 |     | 10 <sup>9</sup> /Hours<br>Hours |
| Weight   | All    |             | —   | 76.4<br>2.69       | —   | g<br>oz.                        |

## JRCW450U Orca Series; DC-DC Converter Power Modules

36–75 Vdc Input; 48.0Vdc Output; 450W Output

## Feature Specifications

Unless otherwise indicated, specifications apply over all operating input voltage, resistive load, and temperature conditions. See Feature Descriptions for additional information.

| Parameter  | Device | Symbol         | Min  | Typ  | Max  | Unit            |
|--|--------|----------------|------|------|------|-----------------|
| Remote On/Off Signal Interface<br>( $V_{IN}=V_{IN,min}$ to $V_{IN,max}$ ; open collector or equivalent, Signal referenced to $V_{IN}$ -terminal)<br>Negative Logic: device code suffix "1"<br>Logic Low = module On, Logic High = module Off<br>Positive Logic: No device code suffix required<br>Logic Low = module Off, Logic High = module On |        |                |      |      |      |                 |
| Logic Low - Remote On/Off Current  | All    | $I_{on/off}$   | —    | —    | 1.0  | mA              |
| Logic Low - On/Off Voltage   | All    | $V_{on/off}$   | 0    | —    | 0.8  | V <sub>dc</sub> |
| Logic High Voltage - (Typ = Open Collector)  | All    | $V_{on/off}$   | —    | —    | 5    | V <sub>dc</sub> |
| Logic High maximum allowable leakage current   | All    | $I_{on/off}$   | —    | —    | 50   | μA              |
| Turn-On Delay and Rise Times<br>( $V_{in}=V_{in,nom}$ , $I_o=I_{o,max}$ , 25C)   |        |                |      |      |      |                 |
| Case 1: $T_{delay}$ = Time until $V_o = 10\%$ of $V_{o,set}$ from application of $V_{in}$ with Remote On/Off set to ON   | All    | $T_{delay}$    | —    | 120  | —    | ms              |
| Case 2: $T_{delay}$ = Time until $V_o = 10\%$ of $V_{o,set}$ from application of Remote On/Off from Off to On with $V_{in}$ already applied for at least one second.   | All    | $T_{delay}$    | —    | 20   | —    | ms              |
| $T_{rise}$ = time for $V_o$ to rise from 10% of $V_{o,set}$ to 90% of $V_{o,set}$ .  | All    | $T_{rise}$     | —    | 60   | —    | ms              |
| Synchronous Rectifier Activation Level and Delay*  |        |                |      |      |      |                 |
| Minimum $I_{out}$ to activate synch rectifier mode   |        | $I_{out,SYNC}$ | 2.4  | —    | —    | A               |
| Minimum time to activate synch rectifier mode ( $I_{out} > I_{out,SYNC}$ )   |        | $T_{SYNC}$     | 1    | —    | —    | ms              |
| Output Voltage Overshoot<br>( $I_o=80\%$ of $I_{o,max}$ , $T_A=25^\circ\text{C}$ )   |        |                |      |      | 3    | % $V_{o,set}$   |
| Output Voltage Adjustment<br>(See Feature Descriptions):<br>Output Voltage Remote-sense Range<br>(only for No Trim or Trim down application )<br>Output Voltage Set-point Adjustment Range (trim)  | All    | $V_{sense}$    | —    | —    | 2    | % $V_{o,nom}$   |
|  | All    | $V_{trim}$     | 28.8 | ---  | 57.6 | V <sub>dc</sub> |
| Output Overvoltage Protection ( $T_A=25^\circ\text{C}$ )   | All    | $V_{o,limit}$  | 60   | —    | 65   | V <sub>dc</sub> |
| Over Temperature Protection<br>(See Feature Descriptions, Figure 19)   | All    | $T_{ref}$      | —    | 115  | —    | °C              |
| Input Under Voltage Lockout  |        | $V_{IN,UVLO}$  |      |      |      |                 |
| Turn-on Threshold  | All    |                |      | 35   | 36   | V <sub>dc</sub> |
| Turn-off Threshold   | All    |                | 31   | 32   | —    | V <sub>dc</sub> |
| Hysteresis   | All    |                | 2.5  | 3    | —    | V <sub>dc</sub> |
| Input Over voltage Lockout   |        | $V_{IN,OVLO}$  |      |      |      |                 |
| Turn-on Threshold  | All    |                | —    | 79.5 | 81   | V <sub>dc</sub> |
| Turn-off Threshold   | All    |                | 80   | 83   | —    | V <sub>dc</sub> |
| Hysteresis   | All    |                | 2.5  | 3    | ---  | V <sub>dc</sub> |

\* Note: Module has internal circuit that inhibits output synchronous rectifier mode, during module startup, until  $I_{out} > I_{out,SYNC}$  for time  $> T_{SYNC}$ . Once output synchronous mode is activated, module remains in synchronous rectifier mode, even if load is reduced to 0A, until module output is turned off using on/off pin or loss of input voltage.

# JRCW450U Orca Series; DC-DC Converter Power Modules

36–75 Vdc Input; 48.0Vdc Output; 450W Output

## Characteristic Curves

The following figures provide typical characteristics for the JRCW450U (48V, 9.4A) at 25°C. The figures are identical for either positive or negative Remote On/Off logic.

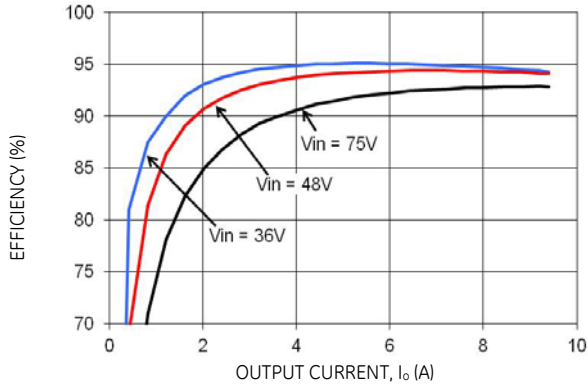


Figure 1. Converter Efficiency versus Output Current.

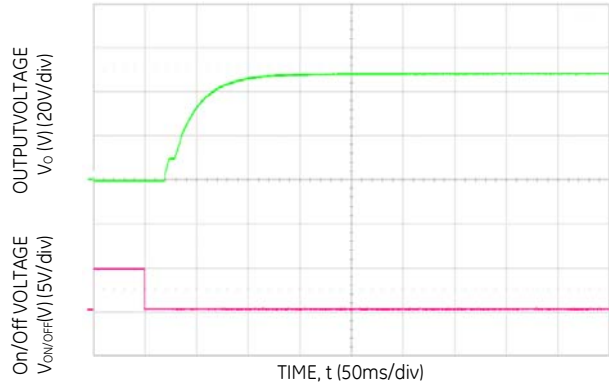


Figure 4. Typical Start-Up Using negative Remote On/Off;  $C_{o,ext} = 440\mu\text{F}$ .

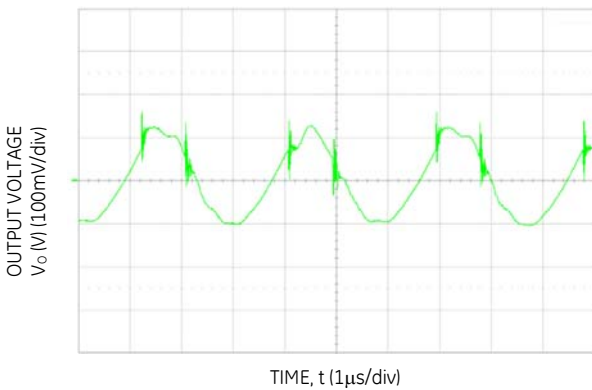


Figure 2. Typical Output Ripple and Noise at Room Temperature and 48Vin;  $I_o = I_{o,max}$ ;  $C_{o,ext} = 440\mu\text{F}$ .

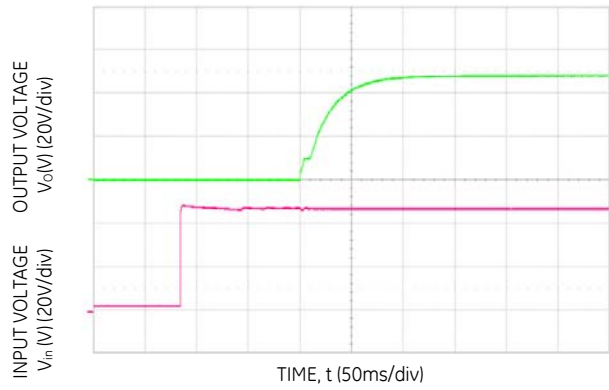


Figure 5. Typical Start-Up from  $V_{IN}$ , on/off enabled prior to  $V_{IN}$  step;  $C_{o,ext} = 470\mu\text{F}$ .

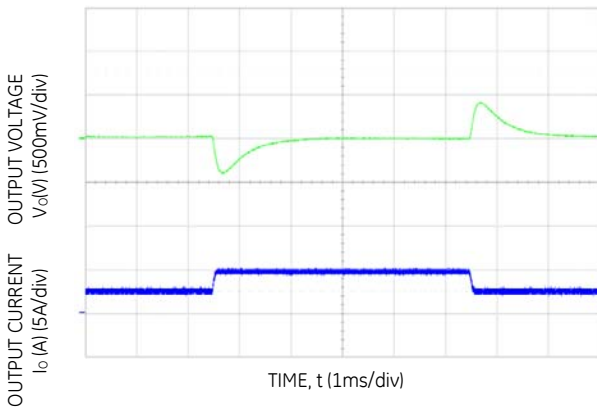


Figure 3. Dynamic Load Change Transient Response from 25% to 50% to 25% of Full Load at Room Temperature and 48 Vin;  $0.1\text{A}/\mu\text{S}$ ,  $C_{o,ext} = 440\mu\text{F}$ .

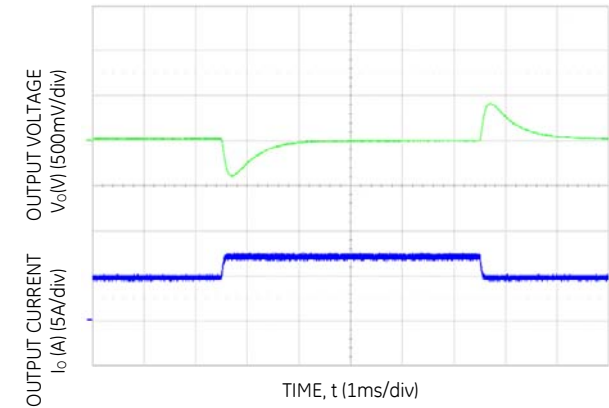
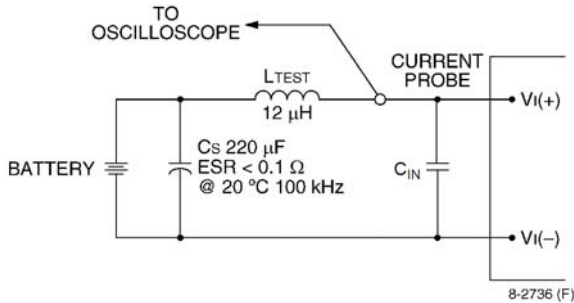


Figure 6. Dynamic Load Change Transient Response from 50% to 75% to 50% of Full Load at Room Temperature and 48 Vin;  $0.1\text{A}/\mu\text{S}$ ,  $C_{o,ext} = 440\mu\text{F}$ .

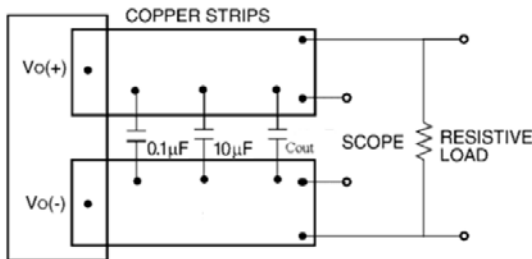
# JRCW450U Orca Series; DC-DC Converter Power Modules

36–75 Vdc Input; 48.0Vdc Output; 450W Output

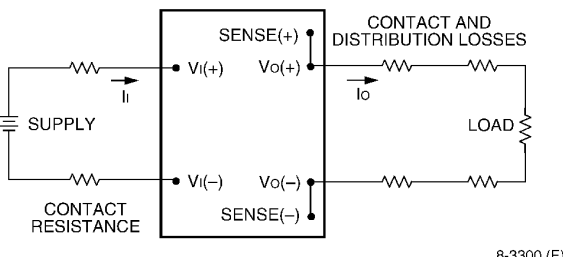
## Test Configurations



Note: Measure the input reflected-ripple current with a simulated source inductance (LTEST) of 12 μH. Capacitor CS offsets possible battery impedance. Measure the current, as shown above.  
**Figure 7. Input Reflected Ripple Current Test Setup.**



Note: Use a Cout (470 μF Low ESR aluminum or tantalum capacitor typical), a 0.1 μF ceramic capacitor and a 10 μF ceramic capacitor, and Scope measurement should be made using a BNC socket. Position the load between 51 mm and 76 mm (2 in. and 3 in.) from the module.  
**Figure 8. Output Ripple and Noise Test Setup.**



Note: All measurements are taken at the module terminals. When socketing, place Kelvin connections at module terminals to avoid measurement errors due to socket contact resistance.

$$\eta = \left( \frac{[V_{O(+)} - V_{O(-)}] I_{O}}{[V_{I(+)} - V_{I(-)}] I_{I}} \right) \times 100 \%$$

**Figure 9. Output Voltage and Efficiency Test Setup.**

## Design Considerations

### Input Source Impedance

The power module should be connected to a low ac-impedance source. A highly inductive source impedance can affect the stability of the power module. For the test

configuration in Figure 7, a 470μF Low ESR aluminum capacitor, CIN, mounted close to the power module helps ensure the stability of the unit.

Consult the factory for further application guidelines.

### Output Capacitance

The JRCW450U power module requires a minimum output capacitance of 440μF Low ESR aluminum capacitor, Cout to ensure stable operation over the full range of load and line conditions, see Figure 8. If the ambient temperature is under -20C, it is required to use at least 3 pcs of minimum capacitors in parallel. In general, the process of determining the acceptable values of output capacitance and ESR is complex and is load-dependent.

### Safety Considerations

For safety-agency approval of the system in which the power module is used, the power module must be installed in compliance with the spacing and separation requirements of the end-use safety agency standard, i.e., UL 60950-1, 2nd Ed., CSA No. 60950-1 2nd Ed., and VDE0805-1 EN60950-1, 2nd Ed.

For end products connected to -48V dc, or -60Vdc nominal DC MAINS (i.e. central office dc battery plant), no further fault testing is required. \*Note: -60V dc nominal battery plants are not available in the U.S. or Canada.

For all input voltages, other than DC MAINS, where the input voltage is less than 60V dc, if the input meets all of the requirements for SELV, then:

- The output may be considered SELV. Output voltages will remain within SELV limits even with internally-generated non-SELV voltages. Single component failure and fault tests were performed in the power converters.

One pole of the input and one pole of the output are to be grounded, or both circuits are to be kept floating, to maintain the output voltage to ground voltage within ELV or SELV limits. However, SELV will not be maintained if Vi(+) and Vo(+) are grounded simultaneously.

For all input sources, other than DC MAINS, where the input voltage is between 60 and 75V dc (Classified as TNV-2 in Europe), the following must be met, if the converter's output is to be evaluated for SELV:

- The input source is to be provided with reinforced insulation from any hazardous voltage, including the ac mains.
- One Vi pin and one Vo pin are to be reliably earthed, or both the input and output pins are to be kept floating.
- Another SELV reliability test is conducted on the whole system, as required by the safety agencies, on the combination of supply source and the subject module to verify that under a single fault, hazardous voltages do not appear at the module's output.

# JRCW450U Orca Series; DC-DC Converter Power Modules

## 36–75 Vdc Input; 48.0Vdc Output; 450W Output

### Safety Considerations (continued)

All flammable materials used in the manufacturing of these modules are rated 94V-0, or tested to the UL60950 A.2 for reduced thickness.

The input to these units is to be provided with a maximum 25 A fast-acting or time-delay fuse in the ungrounded input connection.

To insure safety compliance, the temperature at  $T_{ref}$  (Figure 16) at full load should not exceed the listed temperature when operating at the indicated input voltage.

| Test Condition  | 75V <sub>dc</sub> input                |                   | 36V <sub>dc</sub> input                |                   |
|-----------------|--|-------------------|--|-------------------|
|                 | T <sub>ref1</sub> OR T <sub>ref2</sub> | T <sub>ref3</sub> | T <sub>ref1</sub> OR T <sub>ref2</sub> | T <sub>ref3</sub> |
| No heat sink    | 83.4°C                                 | 130°C             | 89.6°C                                 | 130°C             |
| 1 in. heat sink | 73.8°C                                 | 130°C             | 90.2°C                                 | 130°C             |
| Cold wall       | 75.5°C                                 | 130°C             | 95.0°C                                 | 130°C             |

### Feature Description

#### Remote On/Off

Two remote on/off options are available. Positive logic turns the module on during a logic high voltage on the ON/OFF pin, and off during a logic low. Negative logic remote On/Off, device code suffix "1", turns the module off during a logic high and on during a logic low.

To turn the power module on and off, the user must supply a switch (open collector or equivalent) to control the voltage ( $V_{on/off}$ ) between the ON/OFF terminal and the  $V_{IN(-)}$  terminal (see Figure 10). Logic low is  $0V \leq V_{on/off} \leq 0.8V$ . The maximum  $I_{on/off}$  during a logic low is 1mA, the switch should maintain a logic low level whilst sinking this current.

During a logic high, the typical maximum  $V_{on/off}$  generated by the module is 5V, and the maximum allowable leakage current at  $V_{on/off} = 5V$  is 50µA.

If not using the remote on/off feature:

For positive logic, leave the ON/OFF pin open.

For negative logic, short the ON/OFF pin to  $V_{IN(-)}$ .

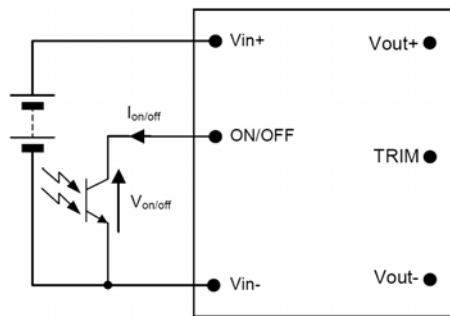


Figure 10. Circuit configuration for using Remote On/Off Implementation.

### Overcurrent Protection

To provide protection in a fault output overload condition, the module is equipped with internal current limiting protection circuitry, and can endure continuous overcurrent by providing constant current output, for up to 4 seconds, as long as the output voltage is greater than  $V_{trimMIN}$ . If the load resistance is too low to support  $V_{trimMIN}$  in an overcurrent condition or a short circuit load condition exists, the module will shut down immediately.

A latching shutdown option is standard. Following shutdown, the module will remain off until the module is reset by either cycling the input power or by toggling the on/off pin for one second.

An auto-restart option (4) is also available in a case where an auto recovery is required. If overcurrent greater than 12A persists for few milli-seconds, the module will shut down and auto restart until the fault condition is corrected. If the output overload condition still exists when the module restarts, it will shut down again. This operation will continue indefinitely, until the overcurrent condition is corrected.

### Over Voltage Protection

The output overvoltage protection consists of circuitry that monitors the voltage on the output terminals. If the voltage on the output terminals exceeds the over voltage protection threshold, then the module will shut down and latch off. The overvoltage latch is reset by either cycling the input power for one second or by toggling the on/off signal for one second. The protection mechanism is such that the unit can continue in this condition until the fault is cleared.

An auto-restart option (4) is also available in a case where an auto recovery is required.

### Remote sense

Remote sense minimizes the effects of distribution losses by regulating the voltage at the remote-sense connections (see Figure 11). For No Trim or Trim down application, the voltage between the remote-sense pins and the output terminals must not exceed the output voltage sense range given in the Feature Specifications table i.e.:

$$[V_o(+)-V_o(-)] - [SENSE(+) - SENSE(-)] \leq 2\% \text{ of } V_{o,nom}$$

The voltage between the  $V_o(+)$  and  $V_o(-)$  terminals must not exceed the minimum output overvoltage shut-down value indicated in the Feature Specifications table. This limit includes any increase in voltage due to remote-sense compensation and output voltage set-point adjustment (trim). See Figure 11. If not using the remote-sense feature to regulate the output at the point of load, then connect SENSE(+) to  $V_o(+)$  and SENSE(-) to  $V_o(-)$  at the module.

Although the output voltage can be increased by both the remote sense and by the trim, the maximum increase for the output voltage is not the sum of both. The maximum increase is the larger of either the remote sense or the trim. The amount of power

# JRCW450U Orca Series; DC-DC Converter Power Modules

36–75 Vdc Input; 48.0Vdc Output; 450W Output

## Feature Description (continued)

delivered by the module is defined as the voltage at the output terminals multiplied by the output current. When using remote sense and trim: the output voltage of the module can be increased, which at the same output current would increase the power output of the module. Care should be taken to ensure that the maximum output power of the module remains at or below the maximum rated power.

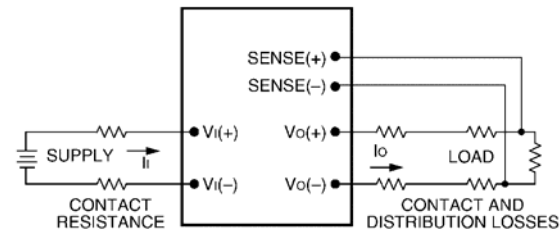


Figure 11. Effective Circuit Configuration for Single-Module Remote-Sense Operation Output Voltage.

### Output Voltage Programming

Trimming allows the user to increase or decrease the output voltage set point of a module. Trimming down is accomplished by connecting an external resistor between the TRIM pin and the SENSE(-) pin. Trimming up is accomplished by connecting external resistor between the SENSE(+) pin and TRIM pin. The trim resistor should be positioned close to the module. Certain restrictions apply to the input voltage lower limit when trimming the output voltage to the maximum. See Figure 12 for the allowed input to output range when using trim. If not using the trim down feature, leave the TRIM pin open.

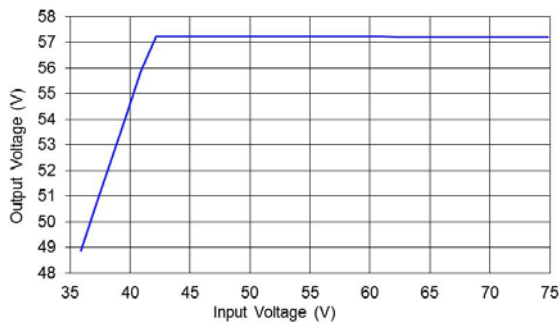


Figure 12. Output Voltage Trim Limits vs. Input Voltage.

### Trim Down – Decrease Output Voltage

With an external resistor ( $R_{adj\_down}$ ) between the TRIM and SENSE(-) pins, the output voltage set point ( $V_{o,adj}$ ) decreases (see Figure 13). The following equation determines the required external-resistor value to obtain a percentage output voltage change of  $\Delta\%$ .

For output voltages:  $V_{o,nom} = 48V$

$$R_{adj\_down} = \left( \frac{100}{\Delta\%} - 2 \right) k\Omega$$

Where,

$$\Delta\% = \left| \frac{V_{o,nom} - V_{desired}}{V_{o,nom}} \right| \times 100$$

$V_{desired}$  = Desired output voltage set point (V).

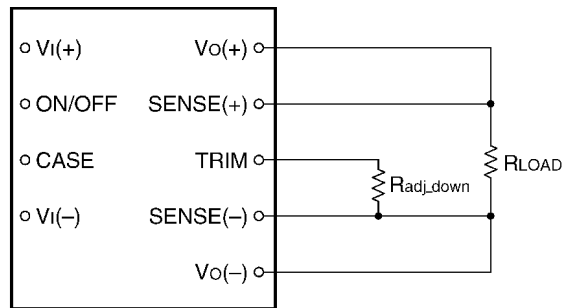


Figure 13. Circuit Configuration to Decrease Output Voltage.

### Trim Up – Increase Output Voltage

With an external resistor ( $R_{adj\_up}$ ) connected between the SENSE(+) and TRIM pins, the output voltage set point ( $V_{o,adj}$ ) increases (see Figure 14).

The following equation determines the required external-resistor value to obtain a percentage output voltage change of  $\Delta\%$ .

For output voltages:  $V_{o,nom} = 48V$

$$R_{adj\_up} = \left[ \frac{V_{o,nom} \times (100 + \Delta\%)}{1.225 \times \Delta\%} - \frac{(100 + (2 \times \Delta\%))}{\Delta\%} \right] k\Omega$$

Where,

$$\Delta\% = \left| \frac{V_{desired} - V_{o,nom}}{V_{o,nom}} \right| \times 100$$

$V_{desired}$  = Desired output voltage set point (V).

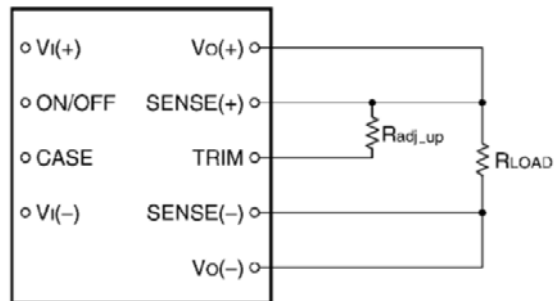


Figure 14. Circuit Configuration to Increase Output Voltage.



# JRCW450U Orca Series; DC-DC Converter Power Modules

## 36–75 Vdc Input; 48.0Vdc Output; 450W Output

### Feature Description (continued)

The voltage between the Vo(+) and Vo(-) terminals must not exceed the minimum output overvoltage shut- down value indicated in the Feature Specifications table. This limit includes any increase in voltage due to remote- sense compensation and output voltage set-point adjustment (trim). See Figure 11.

Although the output voltage can be increased by both the remote sense and by the trim, the maximum increase for the output voltage is not the sum of both.

The maximum increase is the larger of either the remote sense or the trim.

The amount of power delivered by the module is defined as the voltage at the output terminals multiplied by the output current. When using remote sense and trim, the output voltage of the module can be increased, which the same output current would increase the power output of the module. Care should be taken to ensure that the maximum output power of the module remains at or below the maximum rated power.

#### Examples:

To trim down the output of a nominal 48V module, without -T option, to 40V

$$\Delta\% = \left| \frac{48V - 40V}{48V} \right| \times 100$$

$$\Delta\% = 16.7\%$$

$$R_{adj\_down} = \left( \frac{100}{16.7} - 2 \right) K\Omega$$

$$R_{adj\_down} = 3.99K\Omega$$

To trim up the output of a nominal 48V module, without -T option, to 52.8V

$$\Delta\% = \left| \frac{52.8V - 48V}{48V} \right| \times 100$$

$$\Delta\% = 10$$

$$R_{adj\_up} = \left[ \frac{48 \times (100 + 10)}{1.225 \times 10} - \frac{(100 + (2 \times 10))}{10} \right] K\Omega$$

$$R_{adj\_up} = 429.8k\Omega$$

### Active Voltage Programming

For the JRCW450Ux a Digital-Analog converter (DAC), capable of both sourcing and sinking current can be used to actively set the output voltage, as shown in Figure 15. The value of R<sub>G</sub> will be dependent on the voltage step and range of the DAC and the desired values for trim-up and trim-down Δ%. Please contact your GE technical representative to obtain more details on the selection for this resistor.

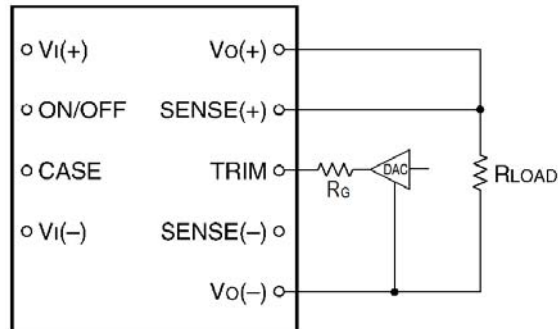


Figure 15. Circuit Configuration to Actively Adjust the Output Voltage.

### Over Temperature Protection

The JRCW450U module provides a non-latching over temperature protection. A temperature sensor monitors the operating temperature of the converter. If the reference temperature, T<sub>REF 1</sub>, (See Figure 16) exceeds a threshold of 115 °C (typical), the converter will shut down and disable the output. When the base plate temperature has decreased by approximately 1-2 °C the converter will automatically restart.

### Thermal Considerations

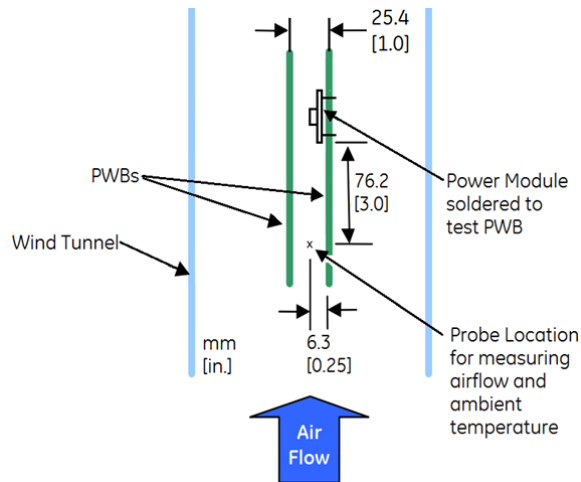
The power modules operate in a variety of thermal environments; however, sufficient cooling should be provided to help ensure reliable operation of the unit. Heat-dissipating components inside the unit are thermally coupled to the case. Heat is removed by conduction, convection, and radiation to the surrounding environment. Proper cooling can be verified by measuring the case temperature. Peak temperature (T<sub>REF</sub>) occurs at the position indicated in Figure 16.

Considerations include ambient temperature, airflow, module power dissipation, and the need for increased reliability. A reduction in the operating temperature of the module will result in an increase in reliability.

The thermal data presented here is based on physical measurements taken in a wind tunnel, using automated thermo-couple instrumentation to monitor key component temperatures: FETs, diodes, control ICs, magnetic cores, ceramic capacitors, opto-isolators, and module pwb conductors, while controlling the ambient airflow rate and temperature. For a given airflow and ambient temperature, the module output power is increased, until one (or more) of the components reaches its maximum derated operating temperature, as defined in IPC-9592. This procedure is then repeated for a different airflow or ambient temperature until a family of module output derating curves is obtained.

JRCW450U Orca Series; DC-DC Converter Power Modules  
 36-75 Vdc Input; 48.0Vdc Output; 450W Output

Thermal Considerations (continued)



For reliable operation with  $V_{in}=48V$  this temperature should not exceed  $100^{\circ}C$  at either  $T_{REF1}$  or  $T_{REF2}$ , or  $130^{\circ}C$  at  $T_{REF3}$  for applications using forced convection airflow without heat sink, or in cold plate applications. The temperatures at either  $T_{REF1}$  or  $T_{REF2}$  should not exceed  $90^{\circ}C$ , when using a 1in. heat sink in forced convection airflow. The output power of the module should not exceed the rated power for the module as listed in the ordering Information table. Although the maximum  $T_{REF}$  temperature of the power modules is discussed above, you can limit this temperature to a lower value for extremely high reliability.

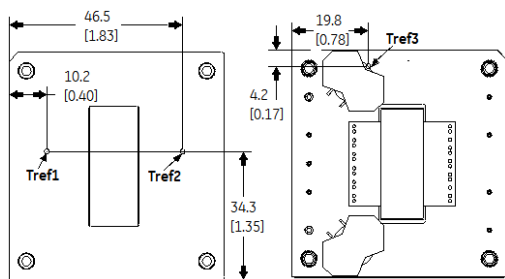


Figure 16. Case ( $T_{REF}$ ) Temperature Measurement Location (top view).

Thermal Derating

Thermal derating is presented for different applications in Figure 17, 18 and 19. The JRCW450U module is mounted in a traditional open chassis or cards with forced air flow. The module is cooled by heat removal into a forced airflow that passes through the interior of the module and over the top base plate and/or attached heat sink. Conduction cooled thermal derating is presented in Figure 20.

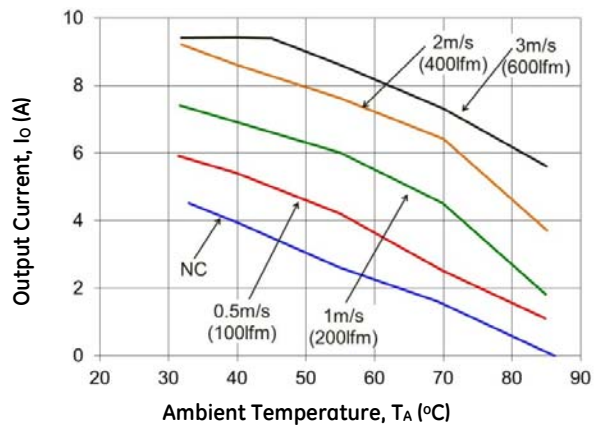


Figure 17. Derating Output Current vs. local Ambient temperature and Airflow, No Heat sink,  $V_{in}=48V$ , airflow from  $V_i(-)$  to  $V_i(+)$ .

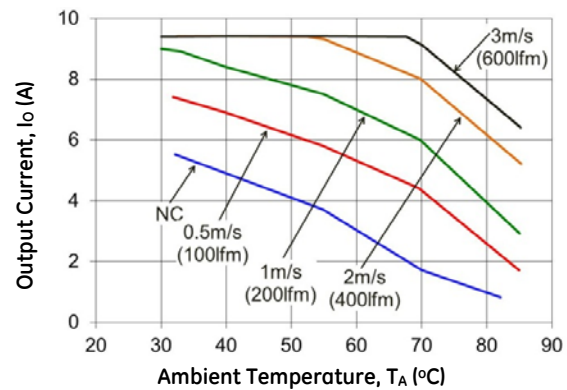


Figure 18. Derating Output Current vs. local Ambient temperature and Airflow, 0.5" Heat sink,  $V_{in}=48V$ , airflow from  $V_i(-)$  to  $V_i(+)$ .

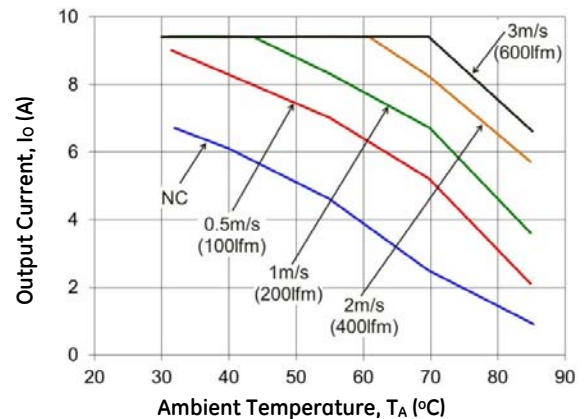


Figure 19. Derating Output Current vs. local Ambient temperature and Airflow, 1.0" Heat sink,  $V_{in}=48V$ , airflow from  $V_i(-)$  to  $V_i(+)$ .

JRCW450U Orca Series; DC-DC Converter Power Modules  
 36–75 Vdc Input; 48.0Vdc Output; 450W Output

Thermal Considerations (continued)

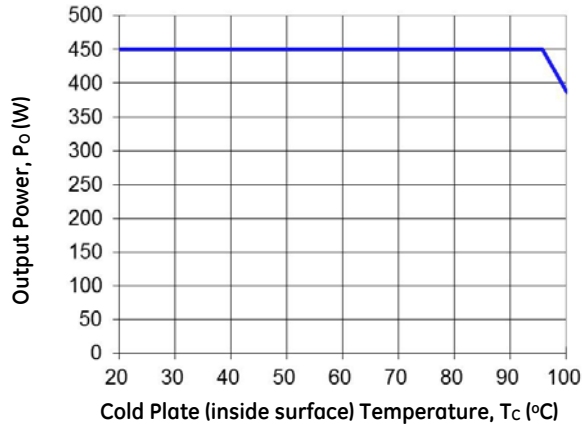


Figure 20. Derating Output Power in conduction cooling (cold plate) applications, Vin=48V.

Layout Considerations

The JRCW450U power module series are constructed using a single PWB with integral base plate; as such, component clearance between the bottom of the power module and the mounting (Host) board is limited. Avoid placing copper areas on the outer layer directly underneath the power module.

Post Solder Cleaning and Drying Considerations

Post solder cleaning is usually the final circuit-board assembly process prior to electrical board testing. The result of inadequate cleaning and drying can affect both the reliability of a power module and the testability of the finished circuit-board assembly. For guidance on appropriate soldering, cleaning and drying procedures, refer to *GE Board Mounted Power Modules: Soldering and Cleaning Application Note*.

Through-Hole Lead-Free Soldering Information

The RoHS-compliant through-hole products use the SAC (Sn/Ag/Cu) Pb-free solder and RoHS-compliant components. They are designed to be processed through single or dual wave soldering machines. The pins have a RoHS-compliant finish that is compatible with both Pb and Pb-free wave soldering processes. A maximum preheat rate of 3°C/s is suggested. The wave preheat process should be such that the temperature of the power module board is kept below 210°C. For Pb solder, the recommended pot temperature is 260°C, while the Pb-free solder pot is 270°C max. The JRCW450U cannot be processed with paste-through-hole Pb or Pb-free reflow process. If additional information is needed, please consult with your GE representative for more details.

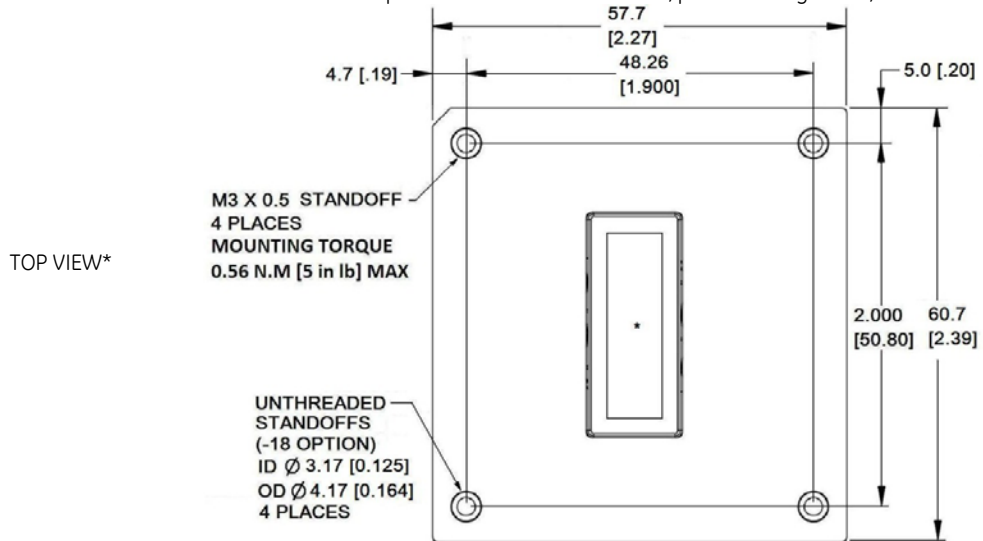
# JRCW450U Orca Series; DC-DC Converter Power Modules

36–75 Vdc Input; 48.0Vdc Output; 450W Output

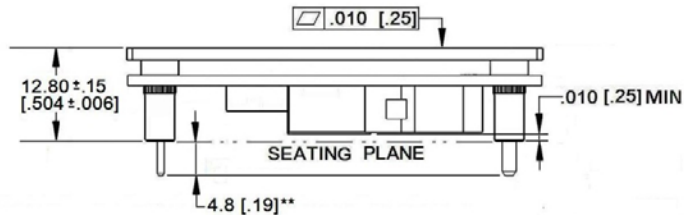
## Mechanical Outline for Through-Hole Module

Dimensions are in millimeters and [inches].  
 Tolerances: x.x mm ± 0.5 mm [x.xx in. ± 0.02 in.] (Unless otherwise indicated)  
 x.xx mm ± 0.25 mm [x.xxx in. ± 0.010 in.]

\*Top side label includes GE name, product designation, and data code.



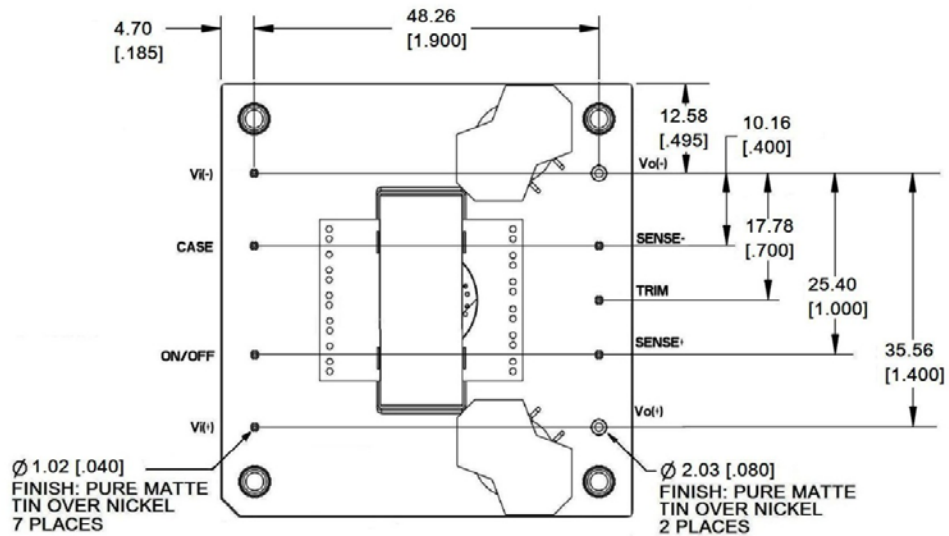
SIDE VIEW\*\*



\*\* FOR OPTIONAL PIN LENGTHS AND UNTHREADED INSERTS, SEE TABLE 4, DEVICE OPTIONS

BOTTOM VIEW

| Pin | Description |
|-----|-------------|
| 1   | Vin (+)     |
| 2   | On/Off      |
| 3   | Baseplate   |
| 4   | Vin (-)     |
| 5   | Vout (-)    |
| 6   | Sense (-)   |
| 7   | Trim        |
| 8   | Sense (+)   |
| 9   | Vout (+)    |



# JRCW450U Orca Series; DC-DC Converter Power Modules

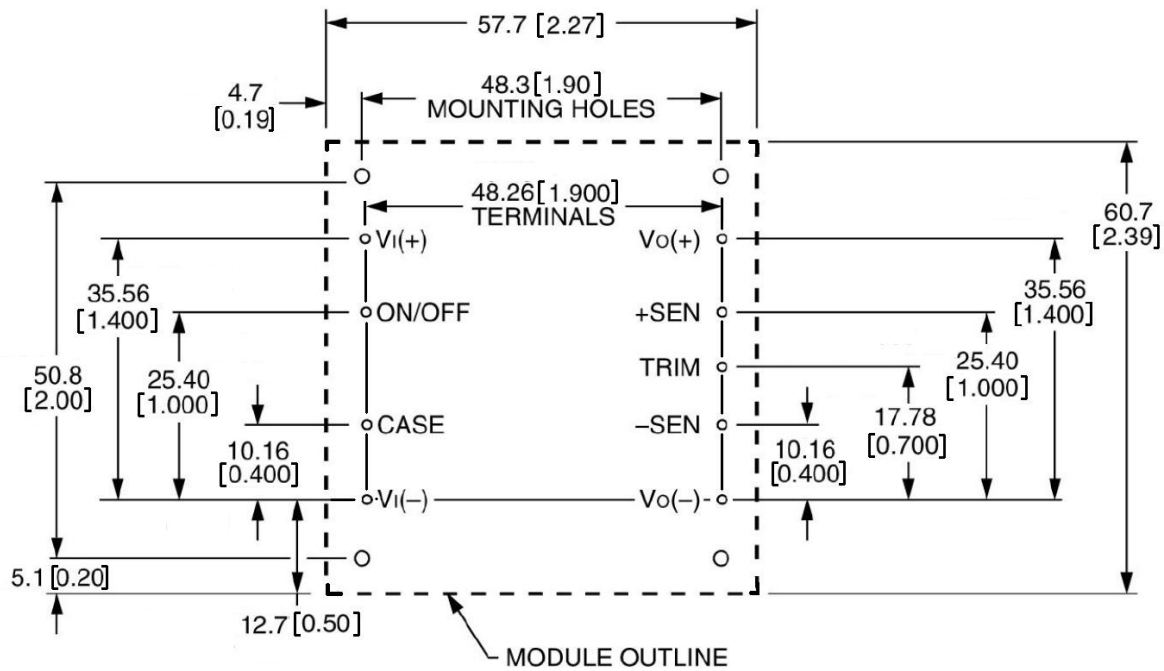
36–75 Vdc Input; 48.0Vdc Output; 450W Output

## Recommended Pad Layout for Through Hole Module

Dimensions are in millimeters and [inches].

Tolerances: x.x mm ± 0.5 mm [x.xx in. ± 0.02 in. ] (Unless otherwise indicated)

x.xx mm ± 0.25 mm [x.xxx in ± 0.010 in. ]



## JRCW450U Orca Series; DC-DC Converter Power Modules

36–75 Vdc Input; 48.0Vdc Output; 450W Output

### Ordering Information

Please contact your GE Sales Representative for pricing, availability and optional features.

**Table 1. Device Code**

| Input Voltage  | Output Voltage | Output Current | Efficiency | Connector Type | Product codes   | Comcodes    |
|----------------|----------------|----------------|------------|----------------|-----------------|-------------|
| 48V (36-75Vdc) | 48V            | 9.4A           | 94%        | Through hole   | JRCW450U641Z    | CC109168992 |
| 48V (36-75Vdc) | 48V            | 9.4A           | 94%        | Through hole   | JRCW450U64-18Z  | 150022105   |
| 48V (36-75Vdc) | 48V            | 9.4A           | 94%        | Through hole   | JRCW450U641-18Z | 150021936   |
| 48V (36-75Vdc) | 48V            | 9.4A           | 94%        | Through hole   | JRCW450U641-TZ  | CC109168984 |
| 48V (36-75Vdc) | 48V            | 9.4A           | 94%        | Through hole   | JRCW450U64-18TZ | CC109172838 |

**Table 2. Device Options**

|         | Characteristic                       | Character and Position | Definition  |
|---------|--------------------------------------|------------------------|---|
| Ratings | Form Factor                          | J                      | J = Half Brick  |
|         | Family Designator                    | RC                     | RC = Orca Family  |
|         | Input Voltage                        | W                      | W = Wide Range, 36V-75V   |
|         | Output Power                         | 450                    | 450 = 450 Watts Maximum Output Power  |
|         | Output Voltage                       | U                      | U = 48.0V nominal   |
| Options | Pin Length                           | 6<br>8                 | Omit = Default Pin Length shown in Mechanical Outline Figures<br>6 = Pin Length: 3.68 mm ± 0.25mm , (0.145 in. ± 0.010 in.)<br>8 = Pin Length: 2.79 mm ± 0.25mm , (0.110 in. ± 0.010 in.) |
|         | Action following Protective Shutdown | 4                      | Omit = Latching Mode<br>4 = Auto-restart following shutdown (Overcurrent/Overvoltage)   |
|         | On/Off Logic                         | 1                      | Omit = Positive Logic<br>1 = Negative Logic   |
|         | Customer Specific                    | XY                     | XY = Customer Specific Modified Code, Omit for Standard Code  |
|         | Mechanical Features                  | 18                     | Omit = M3 x 0.5 threaded heat sink insert standoffs, 4 places<br>18= Unthreaded insert standoffs, 4 places  |
|         | Tunable Loop™                        | T                      | Internal compensation network optimized for Tunable Loop™ applications  |
|         | RoHS                                 | Z                      | Omit = RoHS 5/6, Lead Based Solder Used<br>Z = RoHS 6/6 Compliant, Lead free  |

## Contact Us

For more information, call us at

USA/Canada:

**+1 888 546 3243**, or +1 972 244 9288

Asia-Pacific:

+86.021.54279977\*808

Europe, Middle-East and Africa:

+49.89.878067-280

India:

+91.80.28411633

[www.ge.com/powerelectronics](http://www.ge.com/powerelectronics)



imagination at work