

Features

- suitable for energy-saving lamps, dimmable LED lamps / drivers and low voltage halogen lamps with magnetic transformers
- with pressure two-way switch and thermal link
- Over Temperature Protected

Dimmer

Description

The REDIM series offer dimmers that reliably operate with base loads from 7W. These dimmers and the RACT20 series LED drivers are ideally matched and provide a smooth dimming curve and deep dimming down to zero. The basic light level can be adjusted individually and easily for a customized lighting solution. The warranty is 5 years.

Selection Guide

Part Number	Input Voltage Range [VAC]	Output Power [W/VA]
REDIM07	198-264	7-110
REDIM20	198-264	20-250

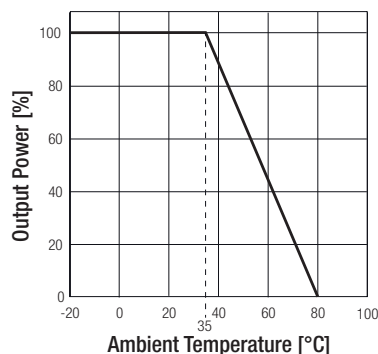
Specifications (measured at T_A= 25°C, nominal input voltage, rated load)

PROTECTION		
Parameter	Type	Value
Over Temperature Protection (OTP)		115°C, thermal shutdown
Input Fuse ⁽¹⁾	REDIM07 REDIM20	1A, slow blow 2A, slow blow
Notes:		
Note1: Each dimmer contains a spare fuse inside the black protective cover.		

ENVIRONMENTAL

Parameter	Condition	Value
Operating Temperature Range max. Case Temperature Range	with derating	-20°C to +80C, Ambient 80°C max.

Derating Graph



SAFETY AND CERTIFICATIONS

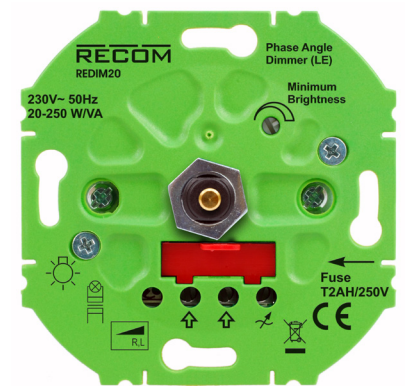
Certificate Type (compliant)	Standard
Switches for household and similar fixed-electrical installations - General requirements	EN-60669-1:2008
Switches for household and similar fixed electrical installations - Particular requirements	EN-60669-2-1:2010

RECOM

DIMMER

REDIM

Leading-edge Dimmer



EN60669-1 compliant
EN60669-2-1 compliant

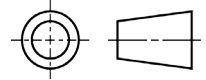
Refer to Applications Notes

Specifications (measured at $T_A = 25^\circ\text{C}$, nominal input voltage, rated load)

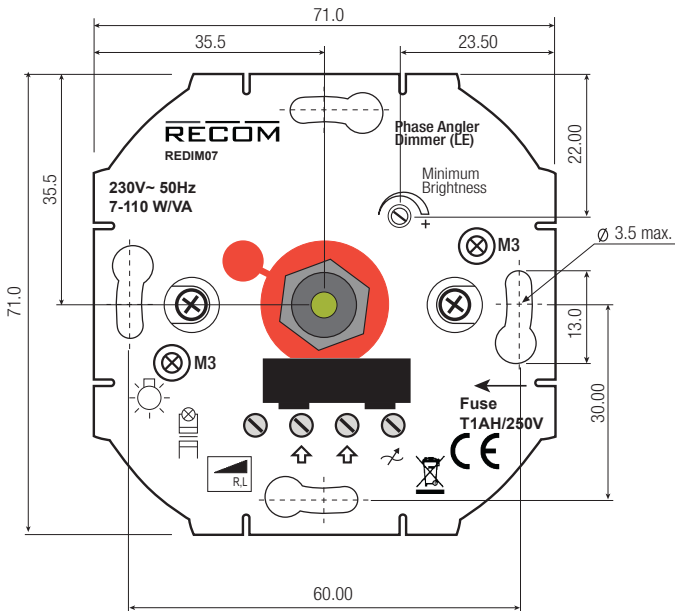
DIMENSION and PHYSICAL CHARACTERISTICS

Parameter	Type	Value
Case Material		Plastic
Package Dimension (LxWxH)		71.0 x 71.0 x 35mm
Package Weight		70g
Connection	Input Output	Screw Terinal (1.5-2.5mm ²) Screw Terinal (1.5-2.5mm ²)

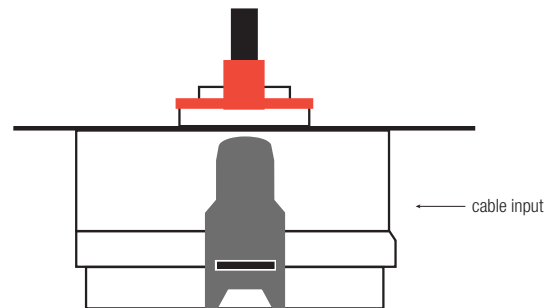
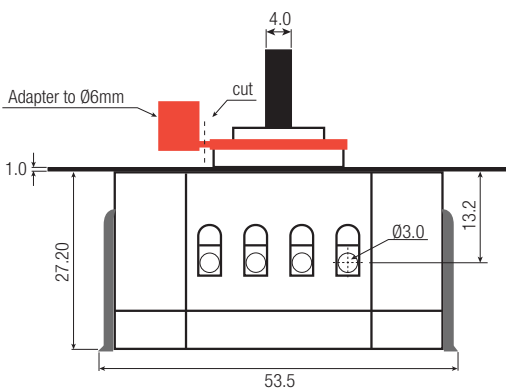
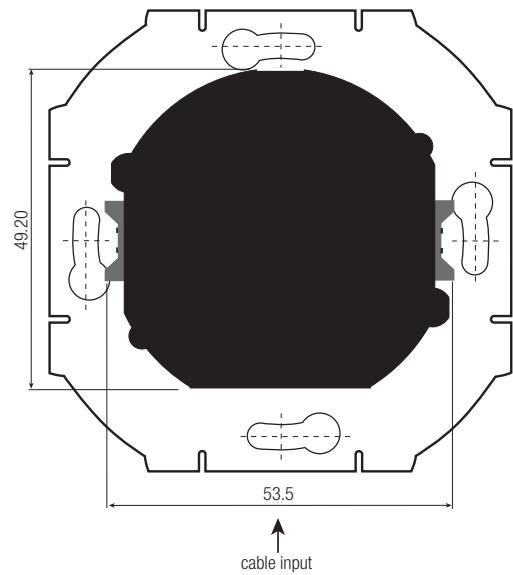
Dimension Drawing (mm)



TOP VIEW



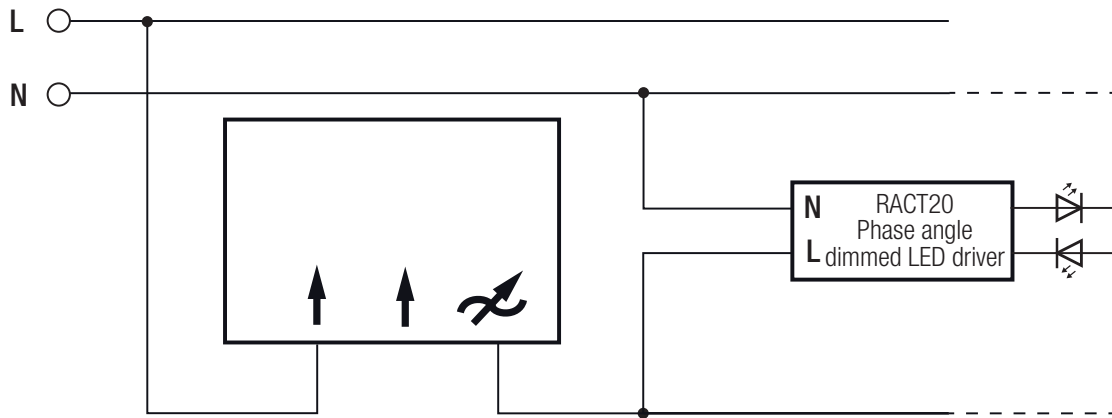
BOTTOM VIEW



Tolerance: $\pm 0.5\text{mm}$

Specifications (measured at T_A= 25°C, nominal input voltage, rated load)

INSTALLATION



REDIM07 - max. 5x RACT20
REDIM20 - max. 12x RACT20

Notes:

Note2: To set the basic brightness, set the actuating button to the left stop minimum brightness). Now use a screw driver to set the desired basic brightness on the potentiometer. Pursuant to EN60699-2-1 the basic value should be set in such a way that the light visibly glows over the entire load range (at nominal voltage -10%) when it's set to dark position.

Note3: Dimmer designed for RACT20.

PACKAGING INFORMATION

Parameter	Type	Value
Packaging Dimension (LxWxH)	Cardboard Box	73 x 73 x 53mm
Packaging Quantity		1 pcs