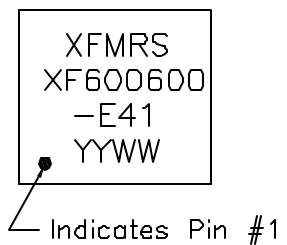
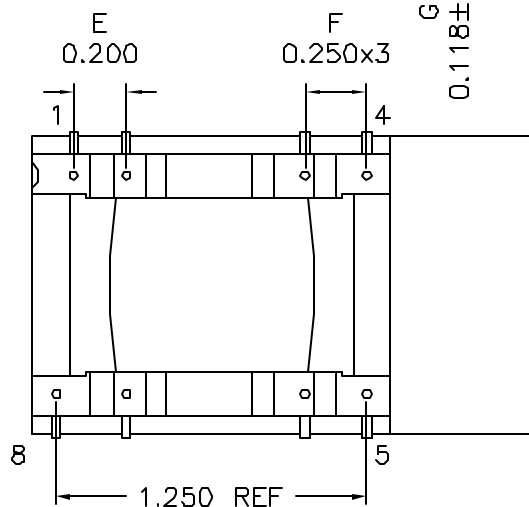
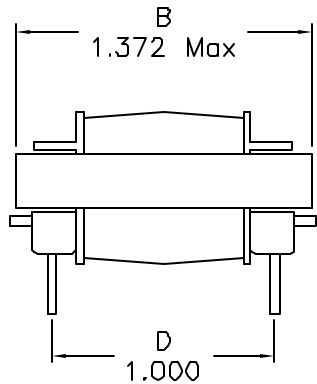
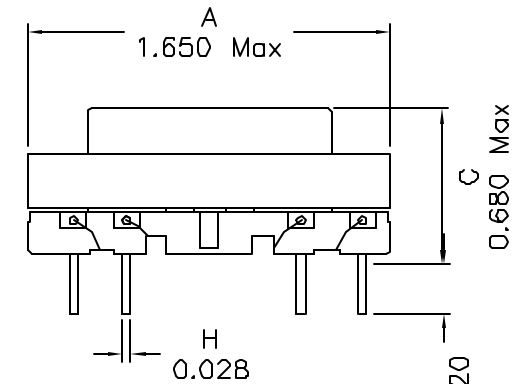


### 1. Mechanical Dimensions:

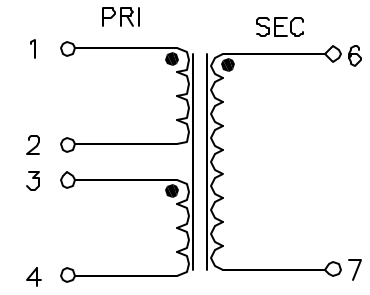


(TOP VIEW)

(BOTTOM VIEW)

DOC REV: A/1

### 2. Schematic:



### 3. Electrical Specifications:

- Longitudinal Balance: 60dB Min., @300Hz-1KHz: 40dB Min @10KHz-3.5KHz
- DCR: Pins 1-4 670hms±12%
- DCR: Pins 6-7 800hms±12%
- Frequency Response: ±0.5dB, 300-3.5KHz
- Insertion Loss: 1.2dB Typ @1KHz
- Isolation Voltage: 3750VAC, Pri to Sec, Pri to Core for 1 Min
- DC Bias: 80mA Max
- Return Loss: 11dB Min @300Hz
- Echo Return Loss: 16dB Min
- Turns: Ratio: 1:1±2% Pri:Sec
- THD: 0.1% Typ @300Hz

Notes:

1. Solderability: Leads shall meet MIL-STD-202G, Method 208H for solderability.
2. Flammability: UL94V-0
3. ASTM oxygen index: > 28%
4. Insulation System: Class F 155°C. UL file E151556
5. Operating Temperature Range: All listed parameters are to be within tolerance from -40°C to +85°C
6. Storage Temperature Range: -55°C to +125°C
7. Aqueous wash compatible
8. Electrical and mechanical specifications 100% tested
9. RoHS Compliant Component

<b>XFMRS Inc</b> www.XFMRs.com	Title: <b>TRANSFORMER</b>		
	UNLESS OTHERWISE SPECIFIED TOLERANCES: .xxx ±0.010 Dimensions in INCH	P/N: XF600600-EI41	REV. A
Scale 1.5:1 SHT 1 OF 1	DWN.	刘鹏	May-22-06
	CHK.	李小锋	May-22-06
	APP.	BW	May-22-05