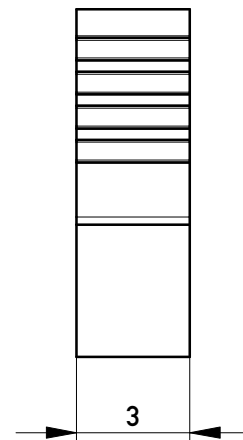
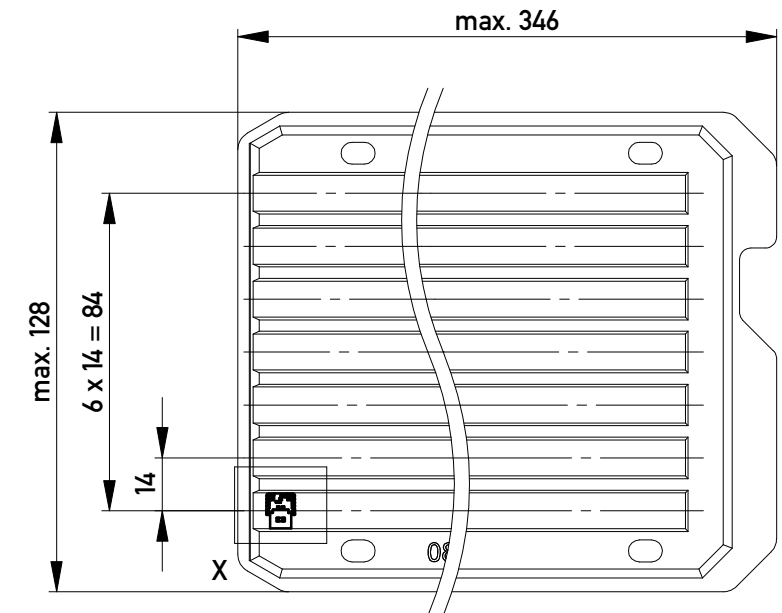


mit aufgesetzter
Kabelführung
(Anlieferungszustand)
*with cable guide mounted
(state at time of supply)*

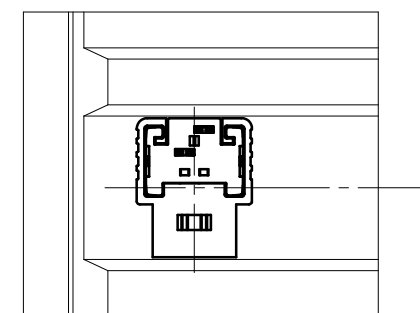


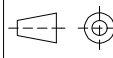

Kabelführung verpresst
(cable guide pressed on)

Verpackt in Tray - tray packaging
Verpackungseinheit 280 Stück - packaging unit 280 pcs



Einzelheit X - detail X
M 2:1



Information: All rights reserved. Only for Information. To ensure that this is the latest version of this drawing, please contact one of the ERNI companies before using.	Tolerances  All Dimensions in mm	Scale	5:1
		Designation 1,27 SRC P SKV, 2-polig 1,27 SRC P IDC, 2-polig	
Index	Date	 www.ERNI.com	100302240002 Class SRCP
			K A3

Copyright by ERNI Production GmbH & Co. KG
 Proprietary notice pursuant to ISO 16016 to be observed.