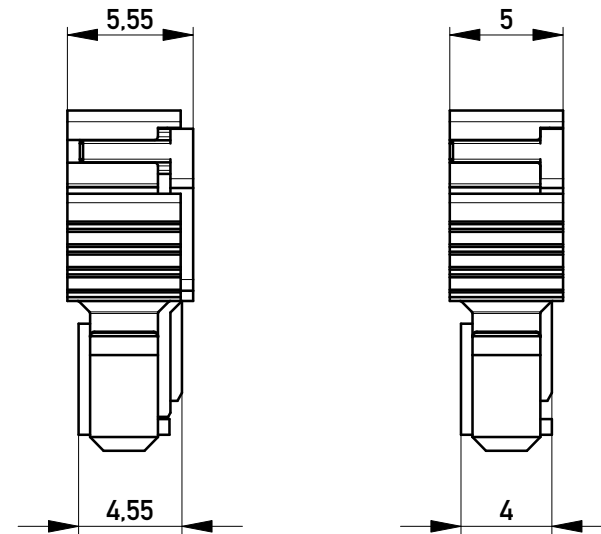
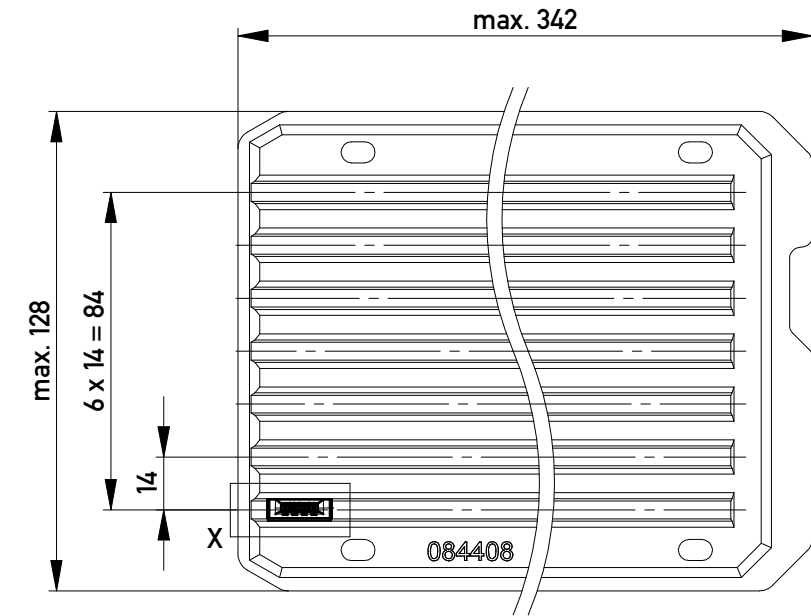


Abdeckung vorverrastet  
cover loose mounted

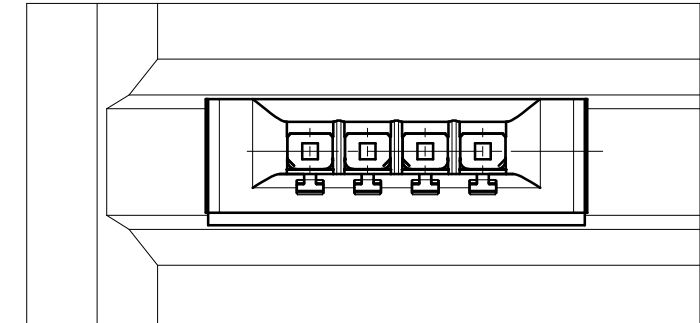
Abdeckung verpresst  
cover pressed on



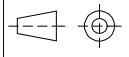
Verpackt in Tray - tray packaging  
Verpackungseinheit 126 Stück - packaging unit 126



Einzelheit X  
detail X



Copyright by ERNI GmbH  
Proprietary notice pursuant to ISO 16016 to be observed.

Information: Codierung schwarz - coding black		Tolerances		Scale	3:1
All rights reserved. Only for Information. To ensure that this is the latest version of this drawing, please contact one of the ERNI companies before using.		Subject to modification without prior notice. Drawing will not be updated.		Designation <b>F 2.54 SRC-A, 4-polig BA 2</b>	
d		13.08.2015		www.ERNI.com	
Index		Date		100803200037	
				K	
				A3	
				Class SRCBUG	