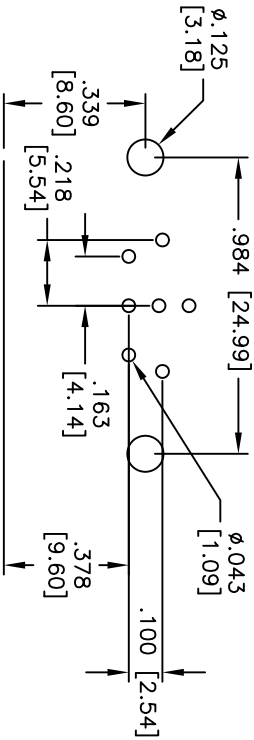
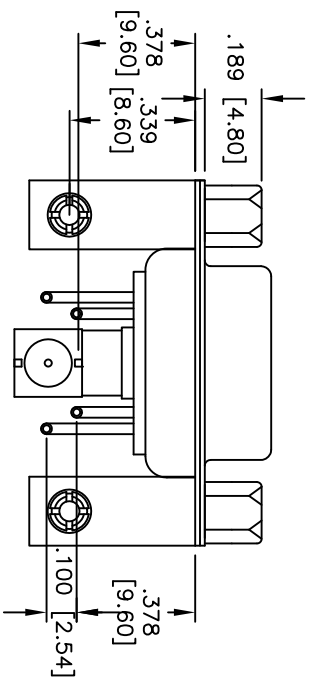
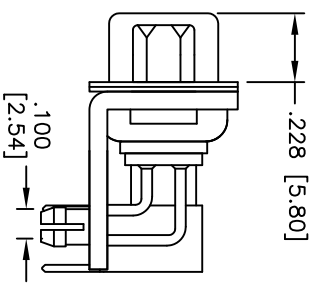
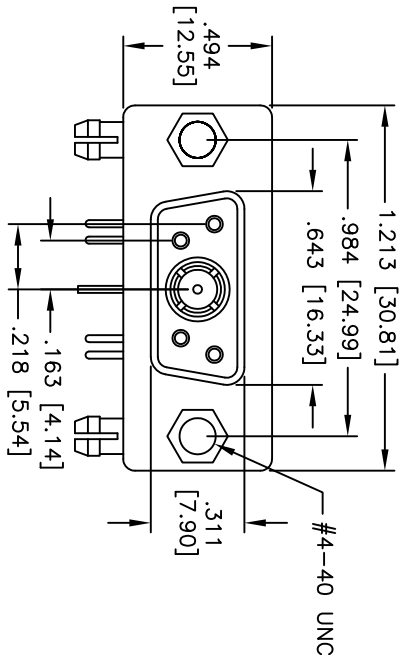


Rev	AWO #	Description	Date	Appr
-		RELEASED	4/13/09	

APPROVED: _____
 DATE: _____ TITLE: _____



RECOMMENDED P.C.B. LAYOUT

SPECIFICATIONS:

- Material:**
 Insulator: PBT, glass reinforced, rated UL 94V-0
 Insulator color: Black
 Coax Insulator: Teflon
 Coax Contact: Brass, Gold plated
 Signal Contact: Brass, Gold plated
 Metal Bracket: Steel, Nickel plated
 Boardlock: Brass, Nickel plated
 Screw: Brass, Nickel plated

Plating:
 Gold over Nickel underplate overall

Electrical:
 Signal contact: 5 Amp max
 Coax Impedance: 50 Ohms
 Contact resistance: 10 mohms max
 Insulation resistance: 5,000 Mohms min
 Dielectric withstanding voltage: 1,000 VAC for 1 minute

Environmental:
 Temperature Rating:
 Operating temperature: -55°C to +125°C
 Lead free, RoHS compliant
 Recommended soldering temp: 235°C for 5 seconds



ADAM TECH

909 Rahway Avenue, Union, NJ 07083
 Phone: 908-687-5000 Fax: 908-687-5710

TITLE: D-SUB CONNECTOR, COAX CONTACT, 50 ohm,
 R/A DIP TYPE, W/ #4-40 SCREWS & BOARDLOCKS

UNLESS OTHERWISE SPECIFIED ALL DIMENSIONS ARE INCHES [MM]		TOLERANCES EXCEPT AS NOTED	
INCHES		HOLDS	
.X	± .10	ØX	± .10
.XX	± .020	ØXX	± .015
.XXX	± .015	ØXXX	± .010
APPROVALS		DATE	
DRAWN	DY	4/13/09	
CHECKED			
APPROVED			
SIZE	PART NO.	SCALE	REV.
X	D5W1-SL-1-2A-BL	NTS	-
REF:	S00019T	SHEET	1 OF 1