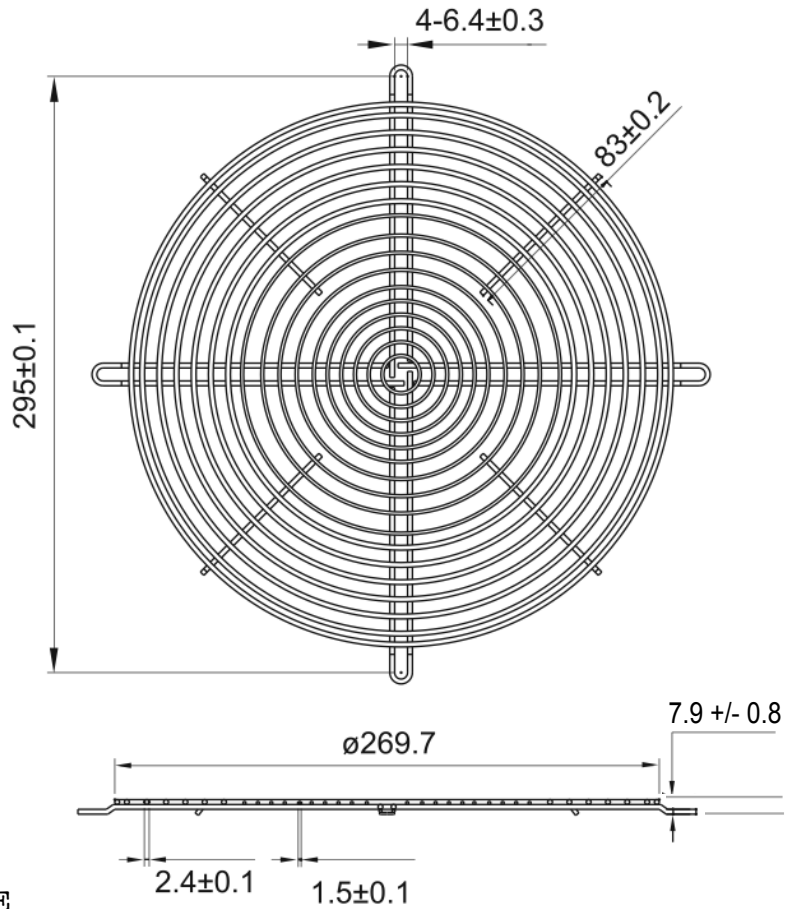
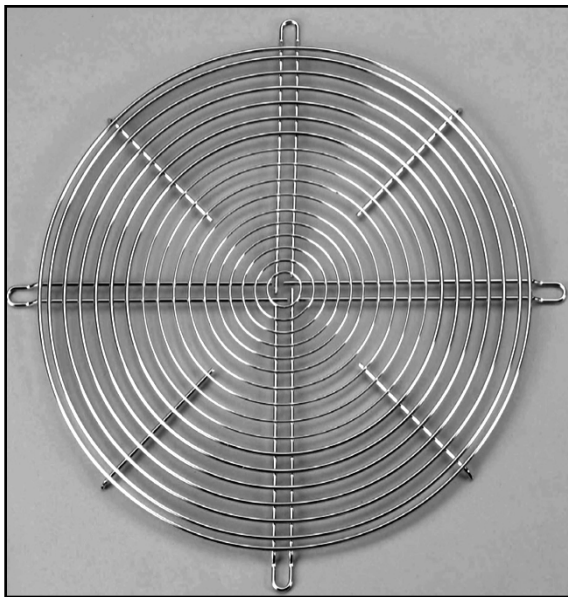


Part No. G280



Fan Guard for 280mm Fan



NOTES:

1. MATERIAL: STEEL WIRE
2. FINISH: BRIGHT NICKEL CHROME
3. WELDS TO WITHSTAND 88LBS PULL FORCE
4. GENERAL TOLERANCE UNLESS NOTED +/-0.5MM
5. PART MEETS 6.35MM PLUG GAUGE TEST

| Part Number | Description |
|-------------|----------------------------------|
| G280 | Fan guard, Chrome, for 280mm fan |
| G280/PK | 10-Pack G280 guards, Boxed |