

# SS22T THRU SS220T

## SURFACE MOUNT SCHOTTKY BARRIER RECTIFIER

Reverse Voltage - 20 to 200 Volts

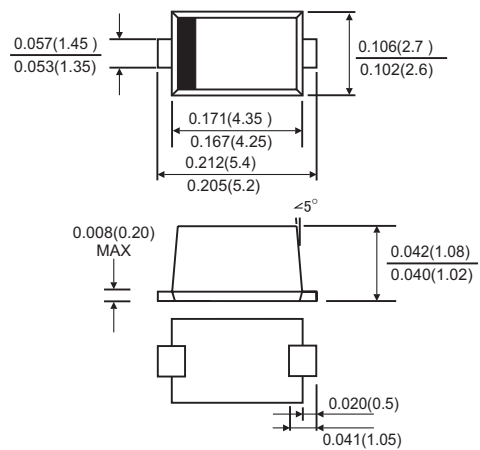
Forward Current - 2.0Ampers

### FEATURES

- Plastic package has Underwriters Laboratory Flammability Classification 94V-0
- Metal silicon junction ,majority carrier conduction
- Guard ring for overvoltage protection
- Built-in strain relief
- For surface mounted applications
- Low profile package
- Low power loss ,high efficiency
- High current capability ,Low forward voltage drop
- High surge capability
- For use in low voltage ,high frequency inverters, free wheeling , and polarity protection applications
- High temperature soldering guaranteed:260°C/10 seconds at terminals
- Component in accordance to RoHS 2011/65/EU



### SMAFL



Dimensions in inches and (millimeters)

### MECHANICAL DATA

- Case: SMAFL(DO-214AC) molded plastic body
- TerMINals: Solder Plated, solderable per MIL-STD-750,method 2026
- Polarity: Color band denotes cathode end

### MAXIMUM RATINGS AND ELECTRICAL CHARACTERISTICS

(Ratings at 25°C ambient temperature unless otherwise specified ,Single phase ,half wave ,resistive or inductive load. For capacitive load,derate by 20%.)

	Symbols	SS 22T	SS 23T	SS 24T	SS 26T	SS 210T	SS 215T	SS 220T	Units	
Maximum repetitive peak reverse voltage	$V_{RRM}$	20	30	40	60	100	150	200	Volts	
Maximum RMS voltage	$V_{RMS}$	14	21	28	42	71	105	140	Volts	
Maximum DC blocking voltage	$V_{DC}$	20	30	40	60	100	150	200	Volts	
Maximum average forward rectified current	$I_{(AV)}$	2.0							Amps	
Peak forward surge current 8.3ms single half sine-wave superimposed on rated load (JEDEC method)	$I_{FSM}$	50.0							Amps	
Maximum instantaneous forward voltage at 2.0 A(Note 1)	$V_F$	0.55			0.70	0.85	0.90	0.95	Volts	
Maximum instantaneous reverse current at rated DC blocking voltage(Note 1)	$T_A=25^\circ C$	100				20				$\mu A$
	$T_A=100^\circ C$	5.0				-				mA
	$T_A=125^\circ C$	-				3.0				
Typical thermal resistance(Note 2)	$R_{\theta JA}$	115.0							$^\circ C/W$	
	$R_{\theta JL}$	28.0								
Operating junction temperature range	$T_J$	-55 to+150							$^\circ C$	
Storage temperature range	$T_{STG}$	-55 to+150							$^\circ C$	

Notes: 1.Pulse test: 300  $\mu s$  pulse width,1% duty cycle

2. P.C.B. mounted with 0.2 X 0.2"(5.0 X 5.0mm)copper pad areas

# RATINGS AND CHARACTERISTIC CURVES SS22T THRU SS220T

FIG.1-FORWARD CURRENT DERATING CURVE

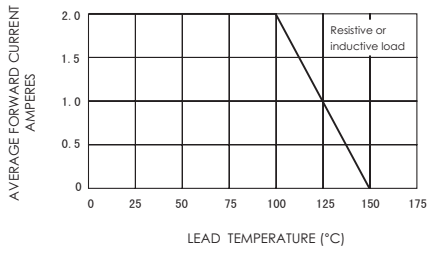


FIG.3-TYPICAL INSTANTANEOUS FORWARD CHARACTERISTICS

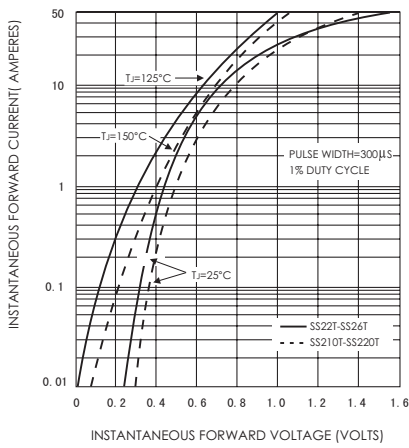


FIG.5-TYPICAL JUNCTION CAPACITANCE

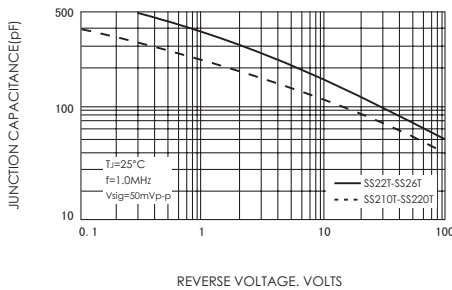


FIG.2-MAXIMUM NON-REPETITIVE PEAK FORWARD SURGE CURRENT

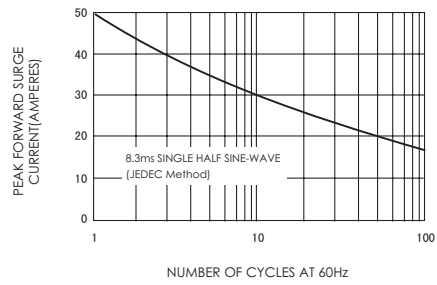


FIG.4-TYPICAL REVERSE CHARACTERISTICS

