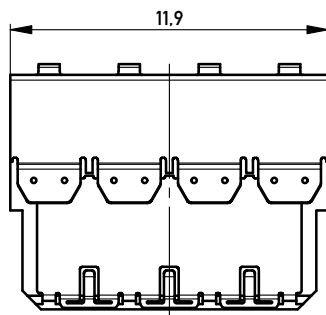
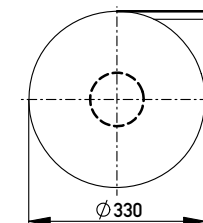
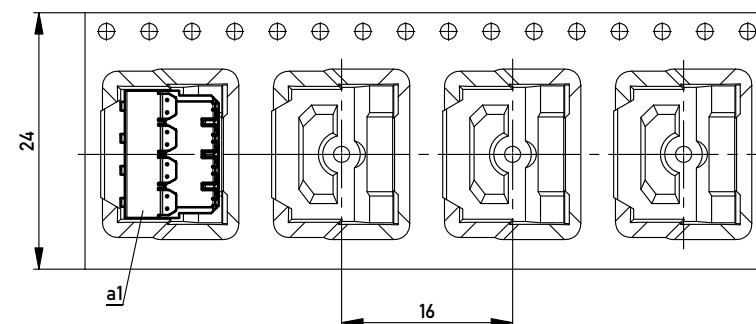


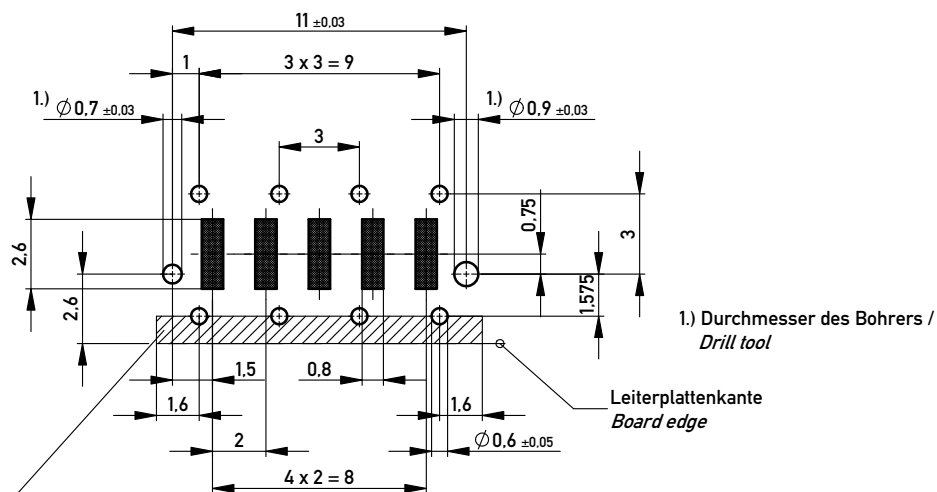
Verpackt in Gurtverpackung  
Tape on Reel Packaging  
Verpackungseinheit: 500 Stück  
Packaging unit: 500 pcs



Abspulrichtung - Reel off Direction



Leiterplatten-LAYOUT Vorschlag / PCB-Layout Proposal



1.) Durchmesser des Bohrers / Drill tool

Leiterplattenkante  
Board edge

Schirmblechauflagefläche berücksichtigen.  
keine Durchkontaktierungen oder Leitungen möglich!  
Consider shielding contact area. no vias or traces possible!

Anforderungsstufe 1  
Performance Level 1

Kontaktbereich vergoldet  
Mating Area gold plating

Anschlussbereich verzinkt 4-6 µm  
Terminal Area 4-6 µm tin plating

Koplanarität der Anschlüsse ≤ 0.1 mm  
Coplanarity Area of Termination ≤ 0.1 mm

Copyright by ERNI GmbH.  
Proprietary notice pursuant to ISO 9006 to be observed.

Information:		Tolerances		Scale	5:1
All rights reserved. Only for Information. To ensure that this is the latest version of this drawing, please contact one of the ERNI companies before using.		Subject to modification without prior notice. Drawing will not be updated.		Designation	
www.ERNI.com				MSpeed Federl. 90° PM SMD/THR MSpeed female 90° PM SMD/THR	
c	16.04.2013			364710	
Index	Date			I A3	
				Class	MSPPM