

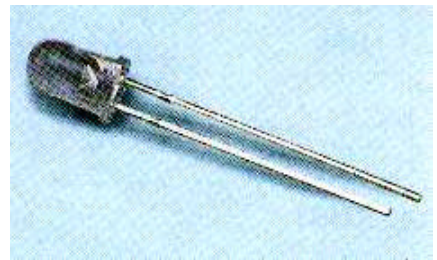


Features

- Popular T-1 3/4package.
- High efficiency.
- General purpose leads.
- Selected minimum intensities.
- Available on tape and reel.
- Pb free

Descriptions

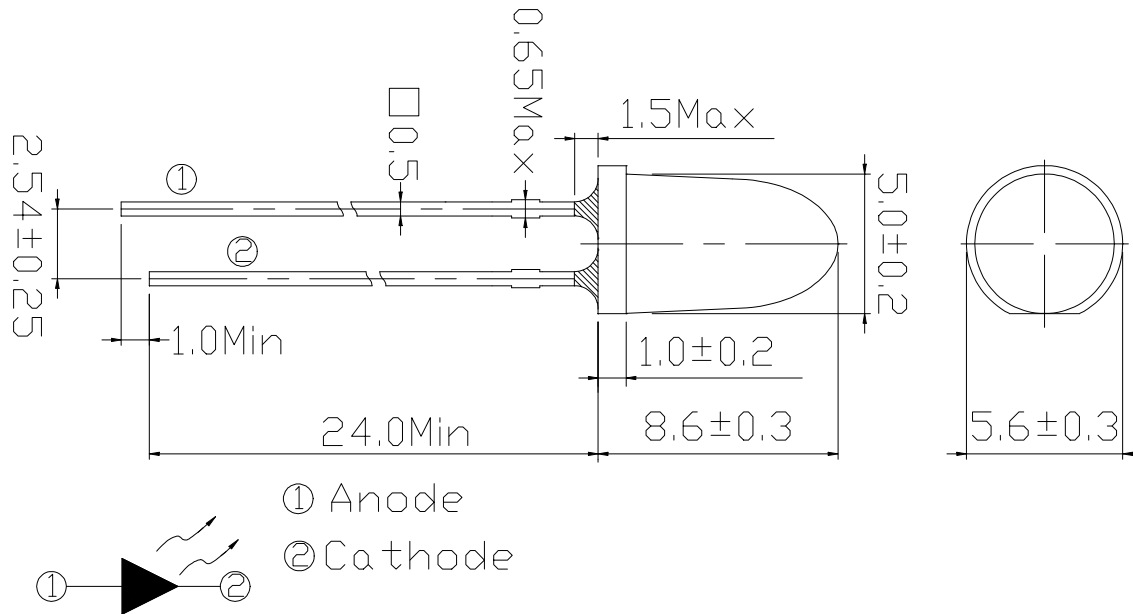
- The series is specially designed for applications requiring higher brightness.
- The LED lamps are available with different colors, intensities, epoxy colors, etc.
- Superior performance in outdoor environment



Applications

- Status indicators.
- Commercial use.
- Advertising Signs.
- Back lighting.

Device Material: ALGaInP
Emitted Color: Hyper Red
Lens Color: Water Clear

Package Dimensions

Notes:

- * Other dimensions are in millimeters, tolerance is 0.25mm except being specified.
- * Protruded resin under flange is 1.5mm Max LED.
- * Bare copper alloy is exposed at tie-bar portion after cutting.

Absolute Maximum Rating ($T_a=25^\circ\text{C}$)

Parameter	Symbol	Absolute Maximum Rating	Unit
Forward Current	I_F	50	mA
Pulse Forward Current (Duty 1/10 @ 1KHz)	I_{FP}	200	mA
Operating Temperature	T_{opr}	-40 ~ +85	
Storage Temperature	T_{stg}	-40 ~ +100	
Electrostatic Discharge	ESD	2000	V
Soldering Temperature	T_{sol}	260 ± 5	
Power Dissipation	P_d	120	mW
Reverse Voltage	V_R	5	V


Electro-Optical Characteristics (T_a=25)

Parameter	Symbol	*Chip Rank	Min.	Typ.	Max.	Unit	Condition
Luminous Intensity	I _V					mcd	I _F =20mA
		A7	2393	3589	--		
Viewing Angle	2 1/2	--	--	6	--	deg	
Peak Wavelength	p	--	--	632	--	nm	
Dominant Wavelength	d	--	--	624	--		
Spectrum Half width		--	--	20	--		
Forward Voltage	V _F	--	1.7	2.0	2.4	V	
Reverse Current	I _R	--	--	--	10	μ A	V _R =5V

