

C3216X5R0G107M160AB

TDK Item Description : C3216X5R0G107MT****

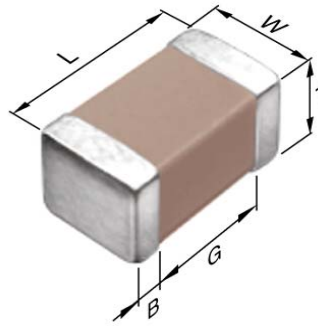


Application & Main Feature

Commercial Grade (General (Up to 50V))

Series

C3216 [EIA CC1206]



Dimensions

L 3.20mm +0.3,-0.1mm
 W 1.60mm +0.3,-0.1mm
 T 1.60mm +0.3,-0.1mm
 B 0.20mm Min.
 G 1.00mm Min.

Temperature Characteristic

X5R (-55 to 85 degC +/-15%)

Rated Voltage

0G (4Vdc)

Capacitance

100uF

Capacitance Tolerance

M (+/-20%)

Dissipation Factor

10% Max.

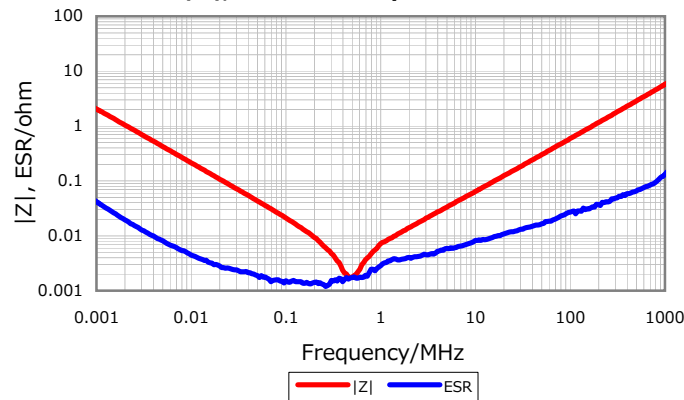
Insulation Resistance

1Mohm Min.

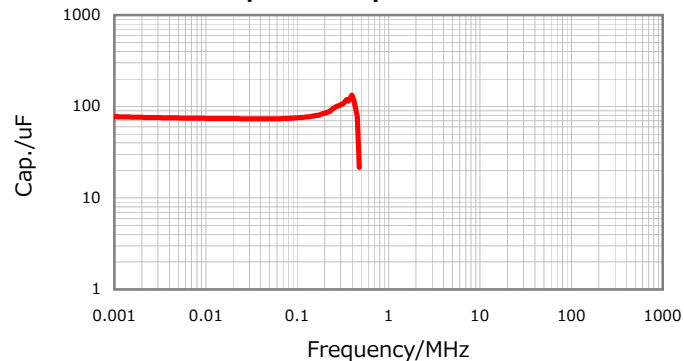
AEC-Q200

Not Applicable

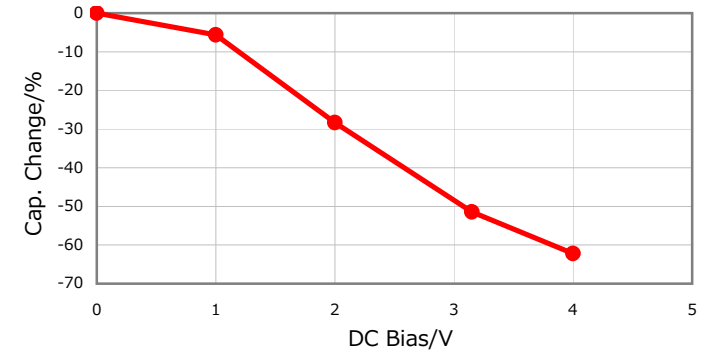
|Z|, ESR vs. Freq. Characteristics



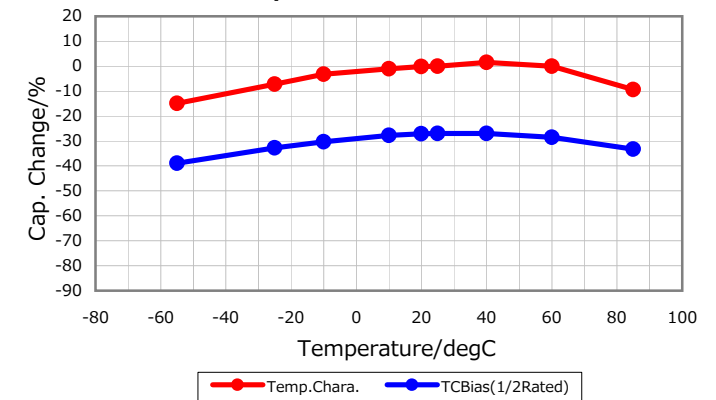
Cap. vs. Freq. Characteristic



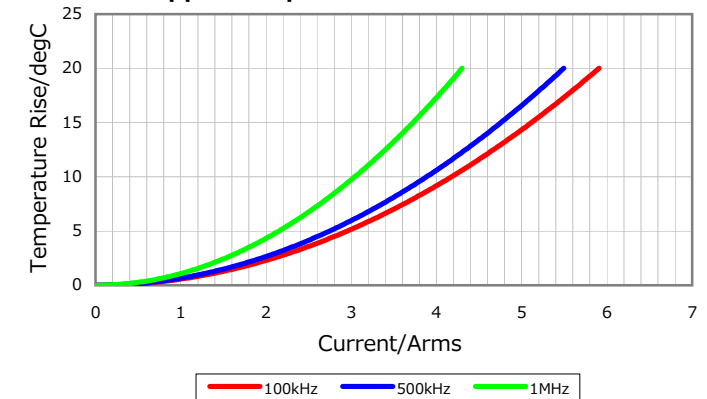
DC Bias Characteristic



Temperature Characteristics



Ripple Temperature Rise Characteristics



Characterization Sheet (Multilayer Ceramic Chip Capacitors)



All specifications are subject to change without notice.

January 3, 2016