

NEW



Compact Waterproof Connectors

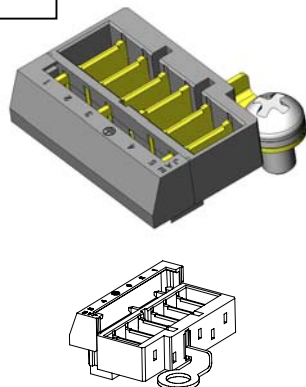
CONNECTOR

MB-0118-2

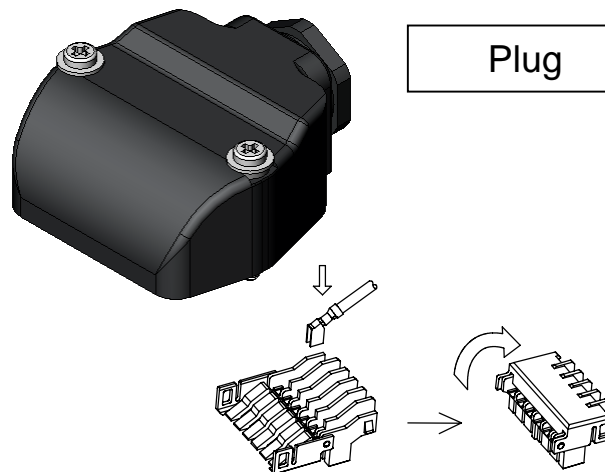
July 2006

# JN5 Series

Receptacle



Plug



&lt;&lt;Outline&gt;&gt;

JN5 series are compact waterproof connectors developed for servomotors of industrial equipment. Low-profile, low-cost, waterproof connector designed to pursuit compactness.

## Features

- All-plastic light weight connector
- Low profile, plug of 31mm overall length and 14mm height
- Environment resistance with excellent resistance to vibration and oil
- After receptacle is connected to a through hole on motor board, the earth terminal is fixed to the motor case with screws.
- Plug is fixed to the motor case with screws by mating lock mechanism (two points fixed with M2 screws)
- Crimp contact has a 45 degree angle to prevent heavy load on the cable
- Waterproof / dustproof structure of class IP67

## General Specifications

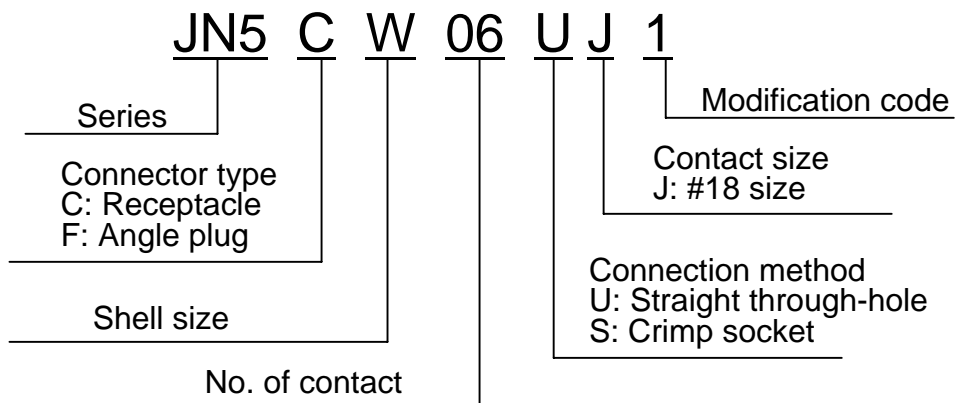
	Items	Specification and performance
		4 for power + 2 for brake = 6 contacts
1	Rated current	7A max. (per contact)
2	Rated voltage	250 VAC (pollution level 2, over voltage category 2)
3	Dielectric withstanding voltage	2500 VAC
4	Insulation resistance	1000 mega ohms or more (at 500 VDC)
5	Waterproof level	IP67 (for connector mated)
6	Operating temperature	-40 Deg. C to +110 Deg. C
7	Specification of wire connection	Receptacle: straight through hole
		Plug: crimp (AWG#22 to #18)
8	Plug-applicable cable	Outside cable diameter 6.5 dia to 7.5 dia.

Materials and Finishes

	Components	Material	Finishes
1	Bar contact	Copper alloy	Au plating
2	Earth contact	Copper alloy	Au plating
3	Insulator	Synthetic resin	-----
4	Insulator cover	Synthetic resin	-----
5	Screw with spring	Steel	Ni plating

	Components	Material	Finishes
1	Socket contact	Copper alloy	Au plating
2	Socket insulator 1	Synthetic resin	-----
3	Socket insulator 2	Synthetic resin	-----
4	Hood	Synthetic resin	-----
5	Grand nut	Synthetic resin	-----
6	Gasket	Synthetic rubber	-----
7	Bushing	Synthetic rubber	-----
8	Gasket for screw	Synthetic rubber	-----
9	Screw	Steel	Ni plating

Ordering Information



	Type	Part Number	Remark
1	Receptacle (6pos.)	JN5CW06UJ1	For power Straight through-hole type
2	Angle plug (6pos.)	JN5FW06SJ1	For power Crimp socket type

	Type	Part Number	Remark
1	Socket contact (alone)	ST-JN5-S-C1B-100-(A534G)	Alone (100 pcs.) / 6pos.for plug
2	Socket contact (reel)	ST-JN5-S-C1B-2500-(A534G)	Reel (3500 pcs.) / 6pos.for plug

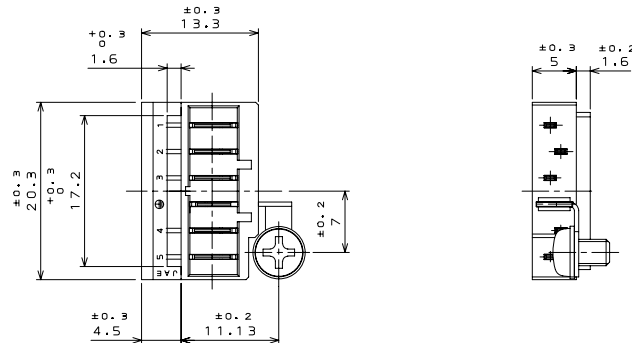
Specifications and Tools

	Type	Part Number	Remark
1.Drawing	JN5CW06UJ1	SJ101306	Receptacle (6pos.)
	JN5FW06SJ1	SJ101307	Angle plug (6pos.)
	ST-JN5-S-C1B-2500-(A534G)	SJ101308	Crimp Socket contact (reel)
	ST-JN5-S-C1B-100-(A534G)	SJ101309	Crimp Socket contact (alone)
2.Specification	JN5 Connector Specification	JACS-50006	
3.Handling Instruction	JN5 Connector	JAHL-50006	

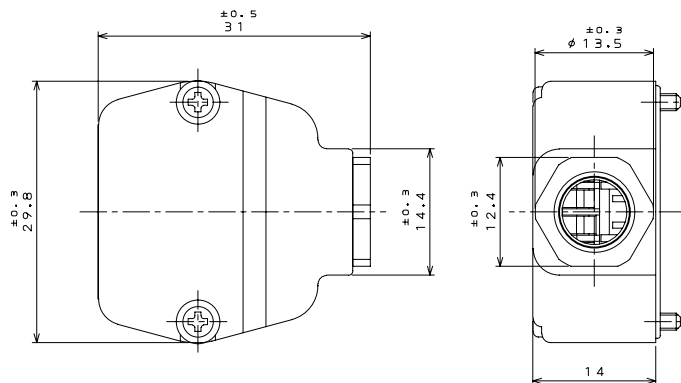
Contact type	Tool	Applicable Wire	Applicable Tool	Tool Handling Instruction
#18Socket contact	Manual Crimp tool (for single item)	AWG#22-#18	CT160-3-JN5	T700263
	Semi-automatic Crimp (recall reel contact)	AWG#22-#18	350-JN5-2	T703332

**\*Attention**  
 Concerning RoHS compliance of termination machines and withdrawal tools etc. for this series, please contact our sales.

Receptacle



Plug



**Notice:** Products shown in this leaflet are made for the applications listed below. However, if the above-mentioned products are to be used in aerospace devices, marine cable-connection devices, atomic power control systems, medical equipment for life-support systems, or any other specific application requiring extremely high reliability, please contact JAE for further information.  
 Recommended applications: Computers, Office machines, Measuring devices, Telecommunication devices (Terminals, Mobile devices), AV devices, Household applications, FA devices, etc.

**Japan Aviation Electronics Industry, Limited**

Product Marketing Division  
 Aobadai Building, 3-1-19, Aobadai, Meguro-ku, Tokyo 153-8539  
 Phone: +81-3-3780-2787 FAX: +81-3-3780-2946