



VD-7090A

INTEGRATED CO SIDE HYBRID FILTER

P/N: VD-7090A DATA SHEET

Feature



- Operating Temperature.: -10°C to +60°C.
- Storage Temperature.: -25°C to +75°C.

Electrical Specifications @ 25°C

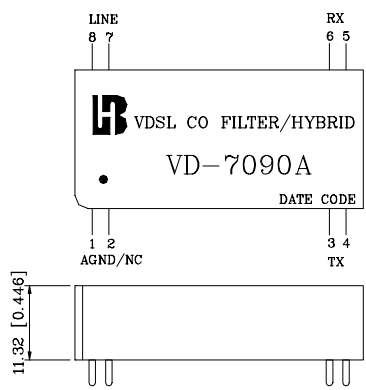
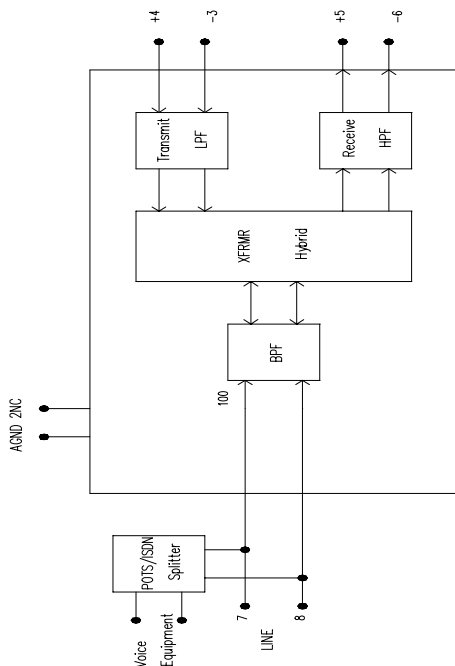
Part Number	Description	Pass band Insertion loss (dB Max)		Stop band Insertion loss (dB Min)	Impedance (Ω)
		4.5M~7.8 MHz	4.2M~4.5 MHz	900KHz ~ 3 MHz	
VD-7090A	Transmit HPF TO LINE	-4	-4.5	-50	270

Additional Specifications

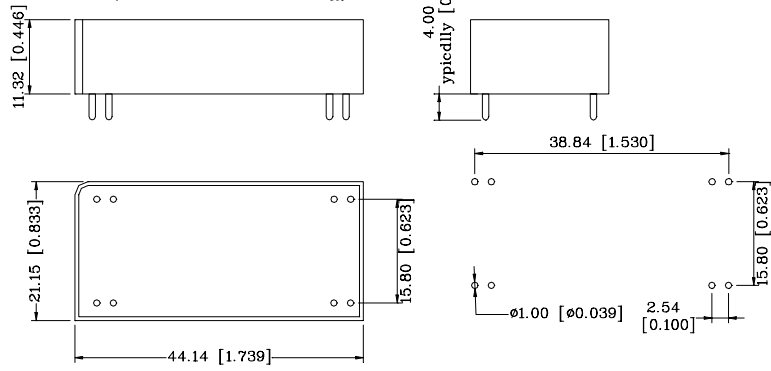
Part Number	Description	Pass band Insertion loss (dB Max)		Stop band Insertion loss (dB Min)			Impedance (Ω)
		900K ~ 3 MHz	3M ~ 3.3 MHz	4.1M~ 7.8MHz	20K ~ 150KHz	150K ~ 250KHz	
VD-7090A	Receive LPF TO LINE	-5.5	-5	-15	-60	-50	40

Schematic

Mechanical



PIN	ALLOCATION
1	AGND
2	NC
3	TX-
4	TX+
5	RX+
6	RX-
7	LINE
8	LINE



Units: mm [Inches] Tolerances: xx.x0±0.25 [0.010]
0.xx±0.05 [0.002]