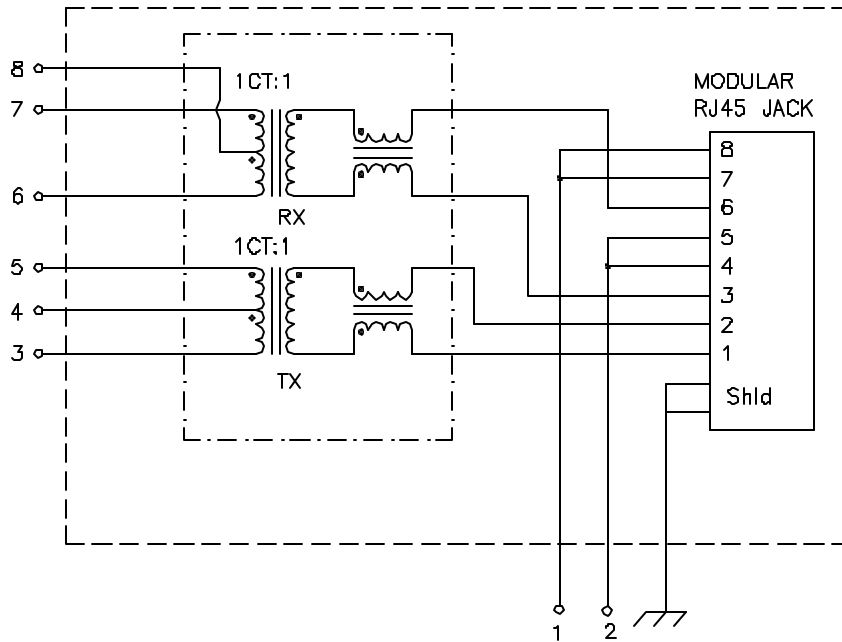


Schematic:



Electrical Specifications: @25°C

UTP Impedance: 100 OHMS

Turns Ratio: TX : 1CT:1 ($\pm 2\%$) RX : 1CT:1 ($\pm 2\%$)

Isolation Voltage: 1500 VAC (Input to Output)

500 VAC (PIN5-6)

UTP Side OCL: 350uH Minimum @100KHz, 100mV 8mADC

Rise Time (10-90%): 2.0ns Typical

Insertion Loss (1MHz-100MHz): -1.0dB Maximum

Return Loss(5MHz-100MHz): -12dB Minimum

CMRR (1MHz-100MHz): -30dB Typical

Crosstalk Attenuation(1MHz-100MHz): -30dB Minimum

Notes:

1. Solderability: Leads shall meet MIL-STD-202, Method 208D for solderability.
2. Flammability: UL94V-0
3. ASTM oxygen index: > 28%
4. Insulation System: Class F 155°C. UL file E151556
5. Operating Temperature Range: All listed parameters are to be within tolerance from -40°C to +85°C
6. Storage Temperature Range: -55°C to +125°C
7. Aqueous wash compatible
8. Electrical and mechanical specifications 100% tested
9. RoHS Compliant Component

DOC. REV: A/2

XFMRs Inc.
www.XFMRs.com

Title: SINGLE PORT COMBO

UNLESS OTHERWISE SPECIFIED
TOLERANCES:
.xxx ± 0.010
Dimensions in Inch

P/N: XFVOIP5X-COMBO1-4S | REV. A

DWN. 李小锋 May-17-06

CHK. 廖玉坤 May-17-06

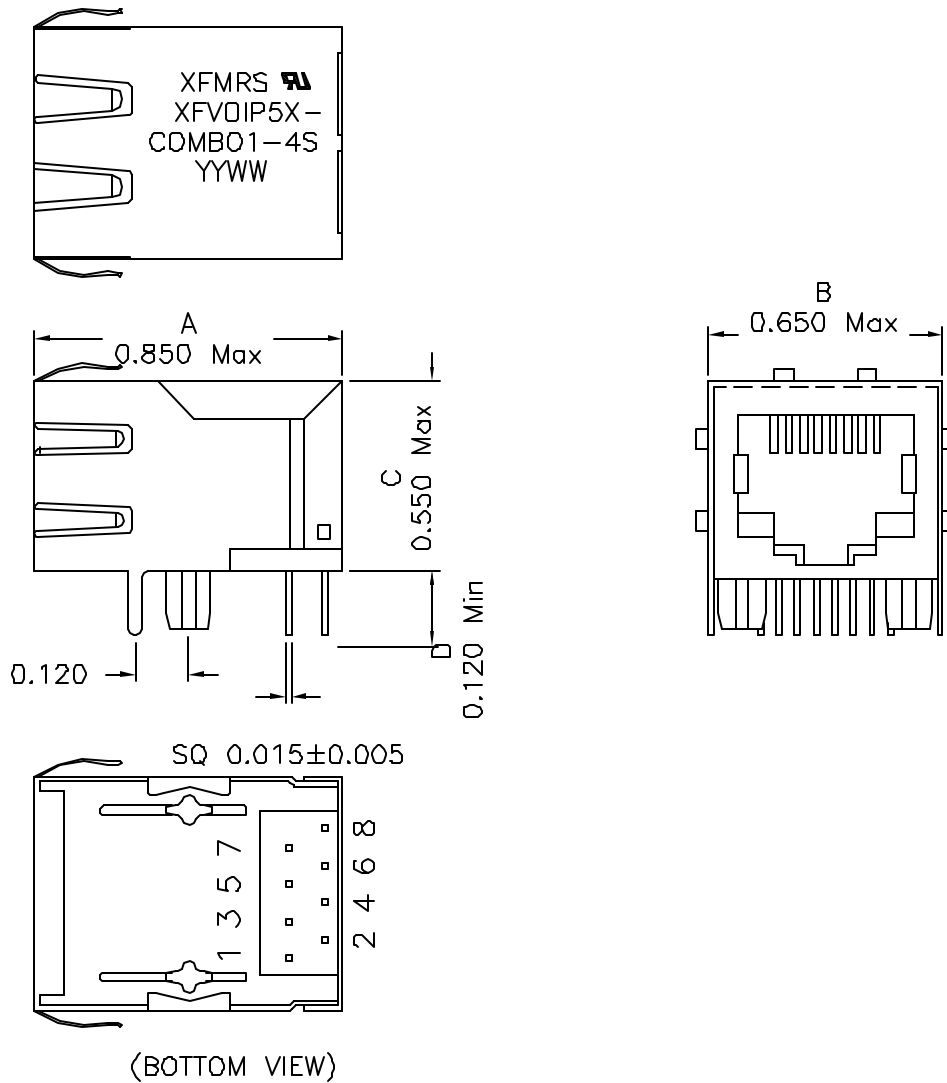
SHEET 1 OF 2

APP. MS May-17-06

PROPRIETARY:

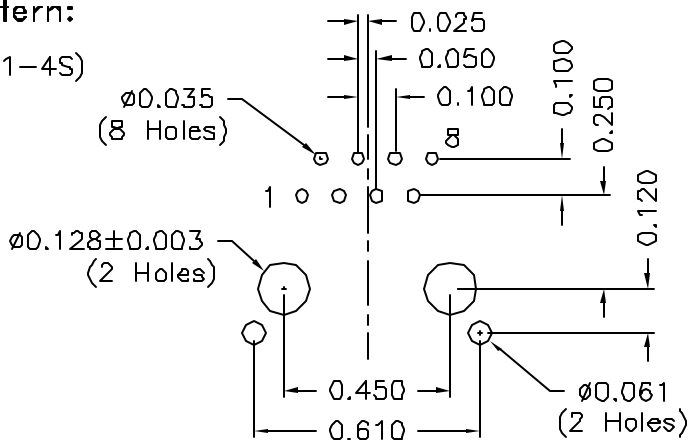
Document is the property of XFMRs Group & is not allowed to be duplicated without authorization.

Mechanical Dimensions:



Mounting Pattern:

(FOR COMBO1-4S)
(COMP SIDE)



DOC. REV: A/2

XFMR5 Inc.

Title: Mechanical Dimensions
For COMBO1-4S Series

UNLESS OTHERWISE SPECIFIED
TOLERANCES:
.xxx ±0.010
Dimensions in Inch

P/N: XFVOIP5X-COMBO1-4S

REV. A

DWN.

李小锋

May-17-06

CHK.

廖玉坤

May-17-06

SHEET 2 OF 2

APP.

MS

May-17-06

PROPRIETARY:

Document is the property of XFMR5 Group & is not allowed to be duplicated without authorization.