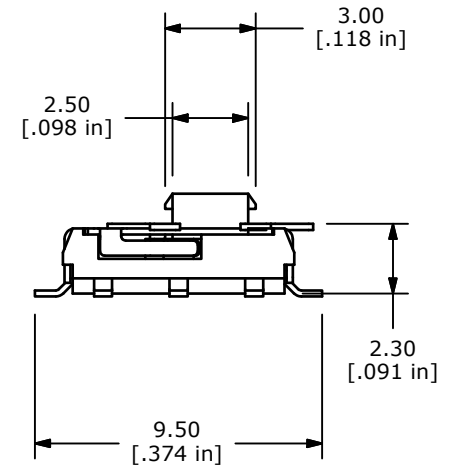
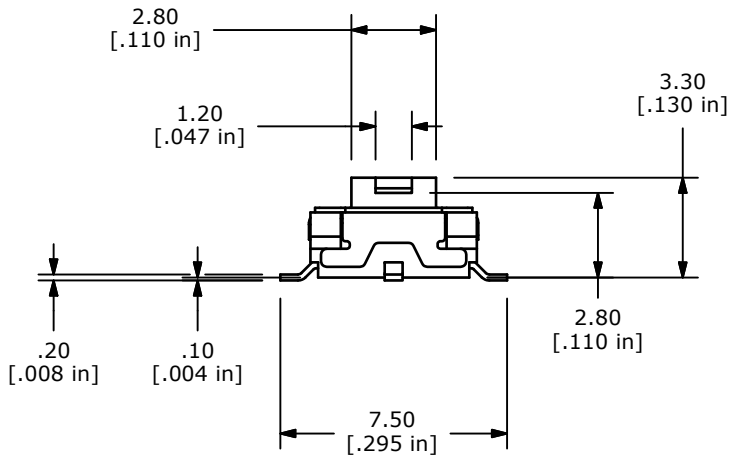


▲ CIRCUIT DIAGRAM ON - ON SINGLE COLOR LED



- NOTES:
1. ALL DIMENSIONS IN MM [INCH]
  2. TERMINAL NUMBERS FOR REF. ONLY
  3. TOLERANCE: X.X±0.4  
X.XX±0.25
  4. RATING: 0.3A @ 6VDC
  5. TRAVEL: 2.0 ±0.2
  6. OPERATING FORCE: 200± 150gF
  7. ELECTRICAL LIFE: 10,000 CYCLES MIN.
  8. CONTACT RESISTANCE: 50mΩ MAX.
  9. INSULATION RESISTANCE: 100MΩ AT 500 VDC
  10. DIELECTRIC STRENGTH: 500VAC
  11. OPERATING TEMPERATURE: -40C to +85C
  12. ▲DENOTES CRITICAL PARAMETER
  13. 2002/95/EC (ROHS) COMPLIANT

▲ LED SPECS	UNITS	YELLOW
FORWARD CURRENT	mA	20
FORWARD VOLTAGE @ 20mA	V	2.0typ.- 2.5 max.
LUMINOUS INTENSITY @ 20mA	mcd	150 typ.



TITLE EGL2290Y

A	22349	New Release	6/10/2016	rc
REV	PCR NO	DESCRIPTION	DATE	BY

SCALE	DATE	DR	DWG	REV
4:1	6/3/2016	rc	B300003	A

THE INFORMATION CONTAINED IN THIS DOCUMENT IS PROPRIETARY TO E-SWITCH AND IS NOT TO BE COPIED OR TRANSFERRED