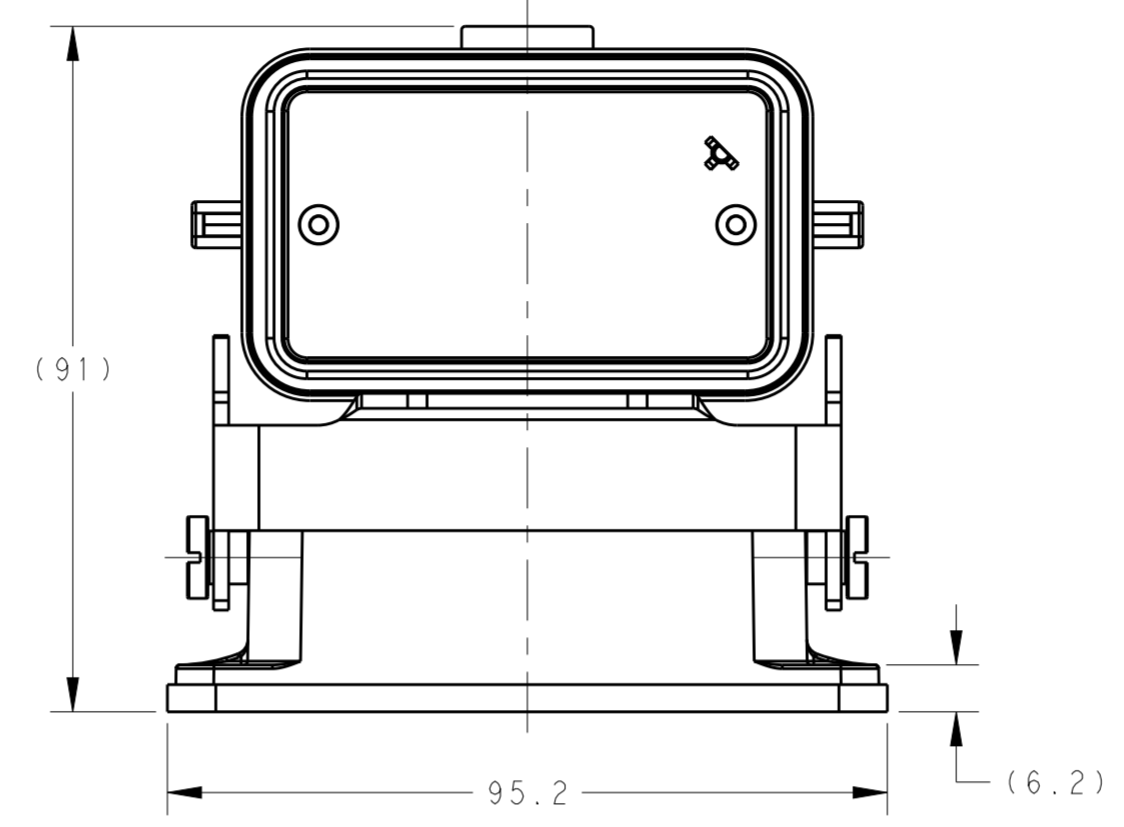
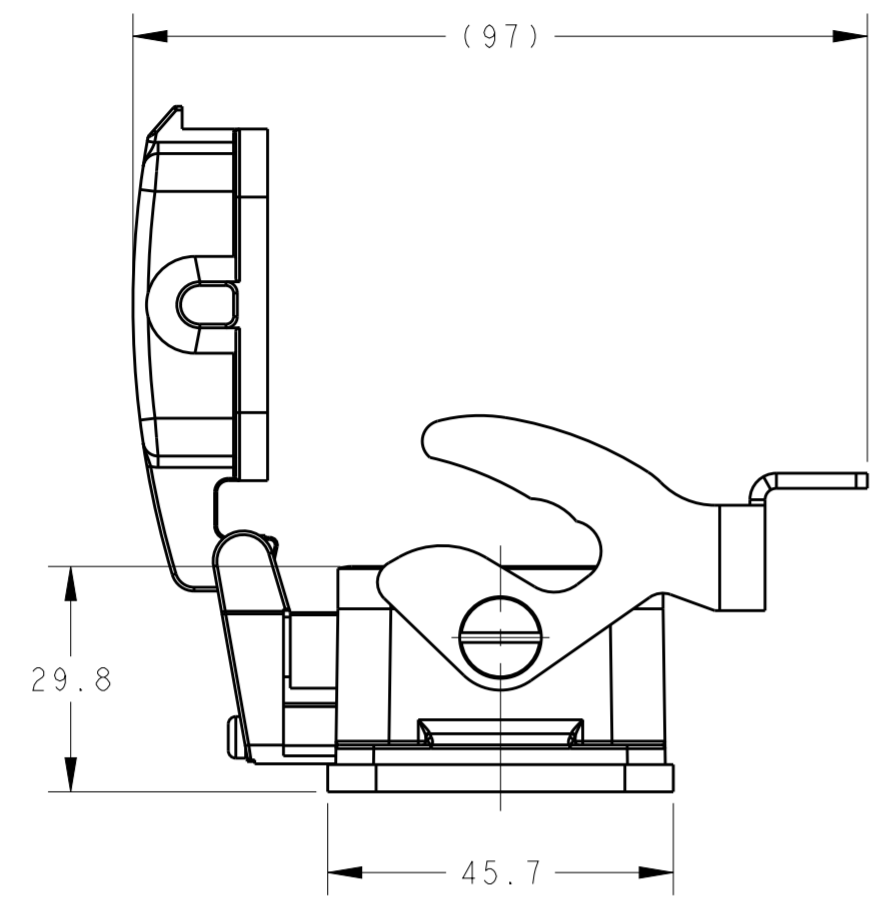


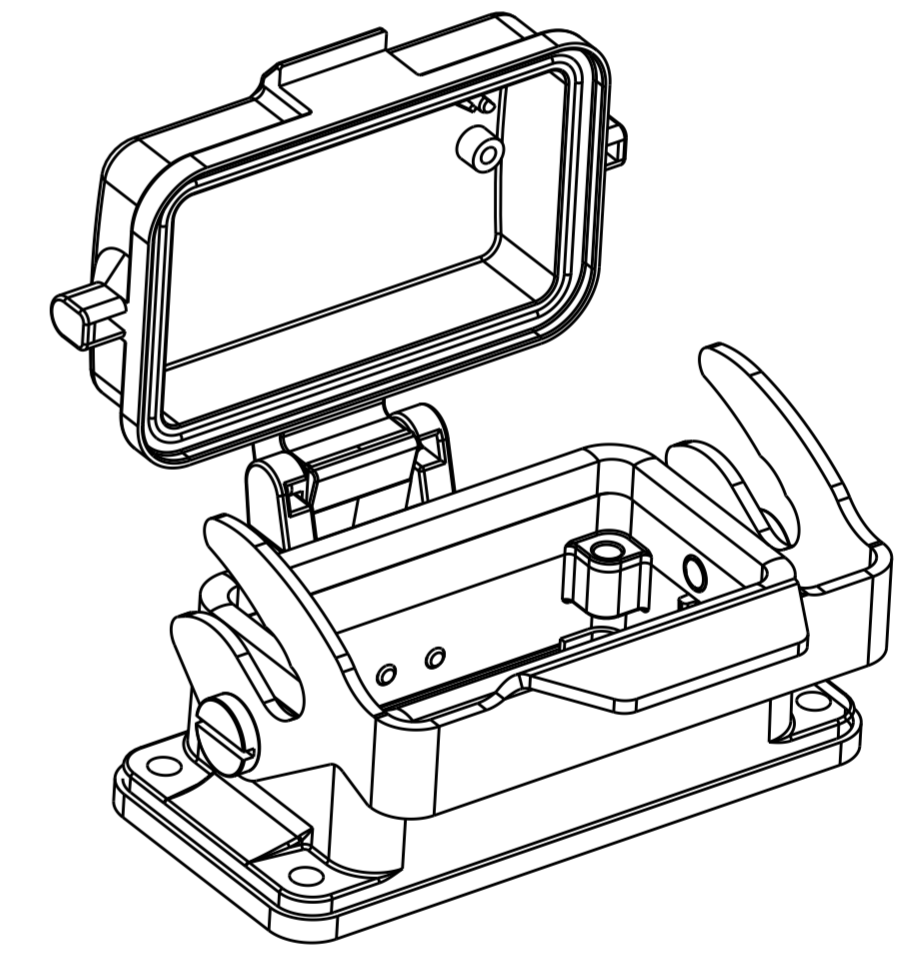
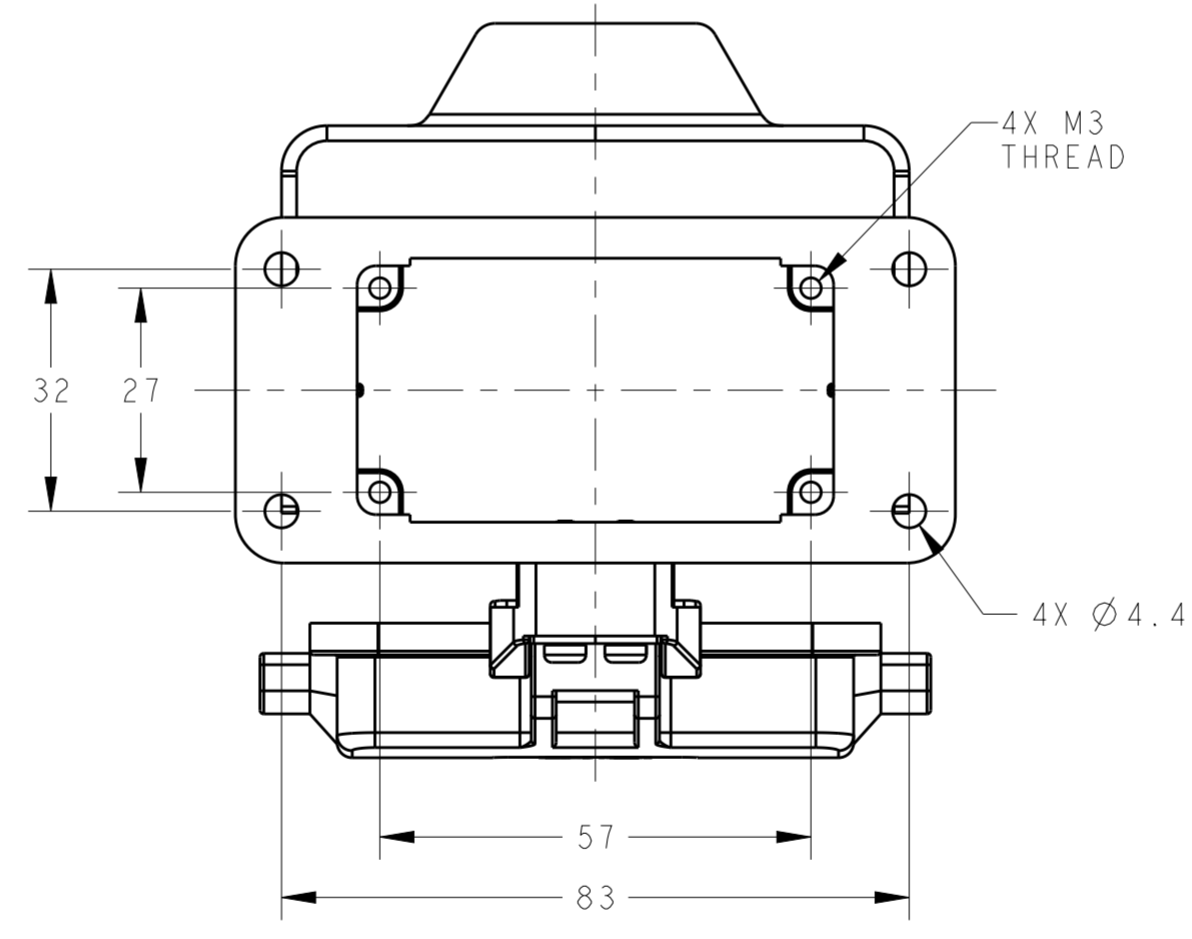
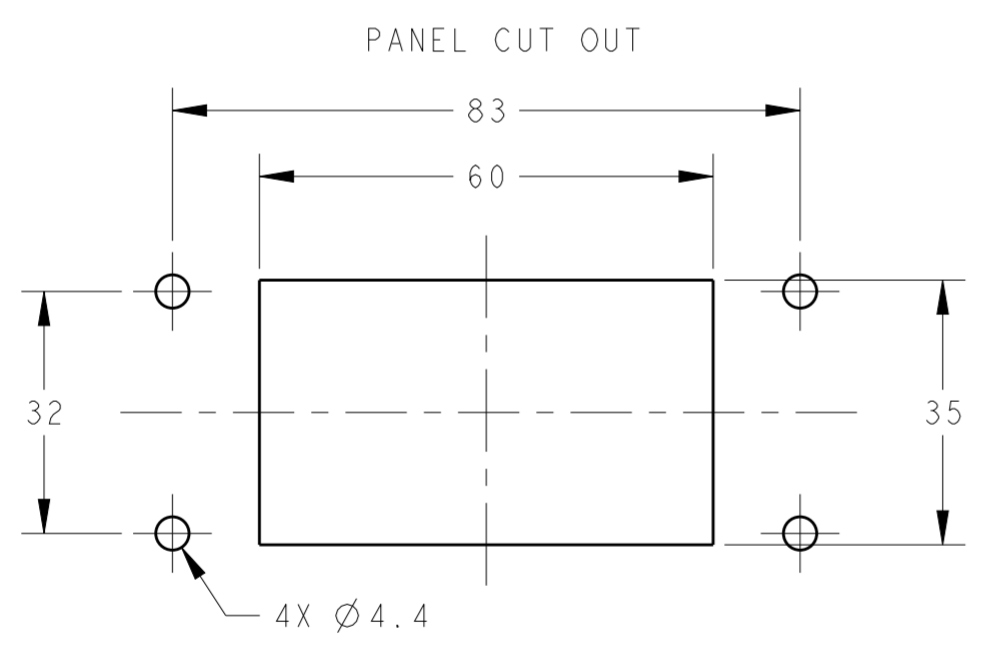
THIS DRAWING IS UNPUBLISHED. RELEASED FOR PUBLICATION 20
 © COPYRIGHT 20 BY - ALL RIGHTS RESERVED.

REVISIONS					
P	LTR	DESCRIPTION	DATE	DWN	APVD
	A	INITIAL	25JUN2015	DW	CW



NOTES:
 1. TECHNICAL CHARACTERISTICS:
 HOUSING MATERIAL: DIE CAST ALUMINIUM ALLOY
 SURFACE: POWDER COATED, GREY
 OPERATION TEMPERATURE: -40-+125°C
 DEGREE OF PROTECTION: IP65 (MATED)

注释:
 1. 技术参数:
 下壳材料: 铝合金
 表面处理: 粉末涂层, 灰色
 工作温度: -40-+125°C
 防护等级: IP65(配合)



T1510103000-000	H10B-AD-LB
PART NUMBER	DESCRIPTION

THIS DRAWING IS A CONTROLLED DOCUMENT.		DWN David Wang 25JUN2015	TE Connectivity					
DIMENSIONS: mm		CHK Chris Wang 25JUN2015			NAME H10B-AD-LB			
TOLERANCES UNLESS OTHERWISE SPECIFIED:		APVD Xiang Xu 25JUN2015			PRODUCT SPEC 108-137013			
0 PLC ± 1 PLC ± 2 PLC ± 3 PLC ± 4 PLC ± ANGLES ± FINISH -		APPLICATION SPEC 114-137013			RESTRICTED TO -			
MATERIAL -		WEIGHT -	SIZE A2	CAGE CODE 00779	DRAWING NO. C-T1510103000000	SCALE 1:1	SHEET 1 OF 1	REV A
		Customer Drawing						