

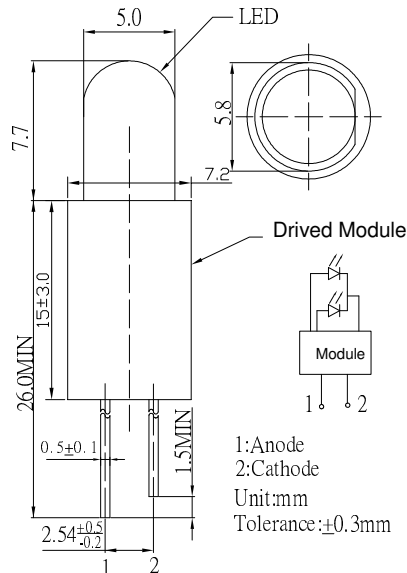
■ Features

- High Luminous LEDs
- 5mm Round Standard Directivity
- Superior Weather-resistance
- UV Resistant Epoxy
- Used 0.8~1.6V DC Drive (Such 1 piece AA or AAA Size Battery)
- Cost Effective (Saves Space and battery Cost)
- Bi-Color
- Water Clear Type

■ Applications

- Flashlight
- Other Lighting

■ Outline Dimension

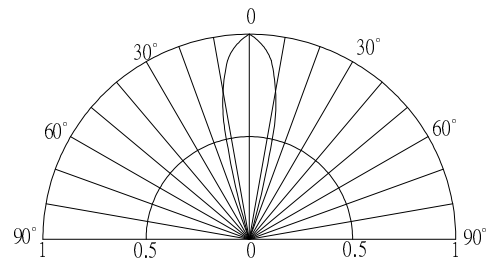


■ Absolute Maximum Rating

(Ta=25°C)

Item	Symbol	Value	Unit
DC Forward Voltage	V _F	1.7	V
Oscillator Frequency*	Fled	1.8	Hz
Duty Cycle	Duty	1/2	-
Operating Temperature	Topr	-30 ~ +85	°C
Storage Temperature	Tstg	-30 ~ +85	°C
Lead Soldering Temperature	Tsol	260°C/5sec	-

■ Directivity



■ Electrical -Optical Characteristics (Ta=25°C)

Part Number	Color		I _F (mA)		I _v (mcd)*			λD(nm)*			2θ1/2(deg)
			Input	In LED	Min.	Typ.	Max.	Min.	Typ.	Max.	Typ.
			V _F = 1.2V		V _F = 1.2V						
OSBWDS5A31A-1V	Cool White	W	20±5	7±2	1120	1560	-	X=0.27, Y=0.28			30
	Blue	B			750	1120	-	465	470	475	
OSRPMS5A31A-1V	Red	R	20±5	7±2	1560	2180	-	620	625	630	
	Pure Green	G			2180	3000	-	520	525	530	
OSRBMS5A31A-1V	Red	R	20±5	7±2	1560	2180	-	620	625	630	
	Blue	B			750	1120	-	465	470	475	

*1 Tolerance of chromaticity coordinates is ±10%

*2 Tolerance of luminous intensity is ±15%

*3 Tolerance of Frequency is ±20%