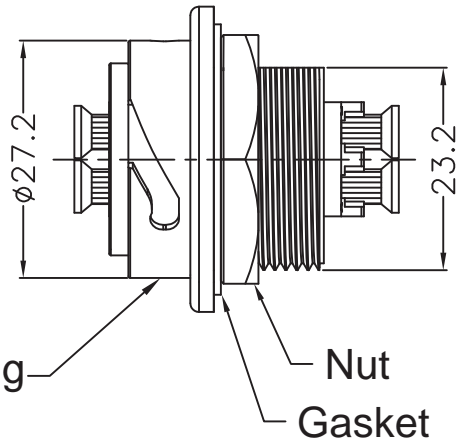
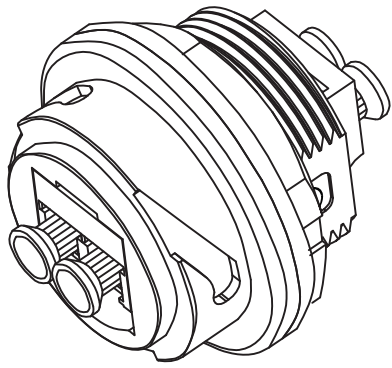
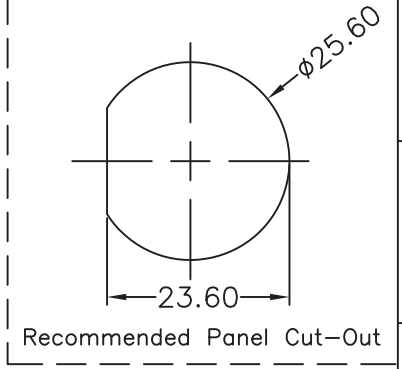
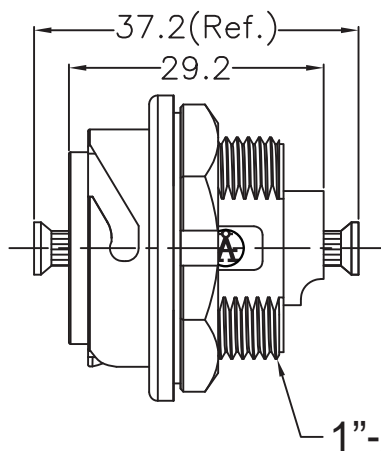


Fiber LC 2Pin Adapter



Material:

- Waterproof Rate: IP67
- Nut: Nylon+GF UL94V-0, Black
- Housing: PPO UL94V-0, Black
- Fiber Adapter: LC 2P Adapter
- Gasket: Silicone UL94V-0, Gray
- For Panel Thickness: 4.0 Max
- Recommended Force: 8~10kg-cm

Unit: mm



Scale	Free						Date	Name	Title Waterproof Fiber Optical Panel mount, 2-pin LC adapter
TOLERANCE						Drawn	05.03.14	Wilson	
X.	±0.3					Approved	05.03.14	Groll	ASSMANN WSW-No. A-FB-00RLFJ-LC7-1
X.X	±X								Drawing-No. ASS 6221 CO
X.XX	±X								rev00
DIM	TOL								Replace
X.°	±X°								Sheet
X.X°	±X°								1/1
Angle	TOL	Id.	Modification	Date	Name	 1840 W. Drake Drive, Suite 101 • Tempe, AZ 85283 Toll Free: 1-877-277-6266 • Email: info@assmann.us			

1

2

3

4

5

6

7