

THIS DRAWING IS UNPUBLISHED.

RELEASED FOR PUBLICATION

© COPYRIGHT

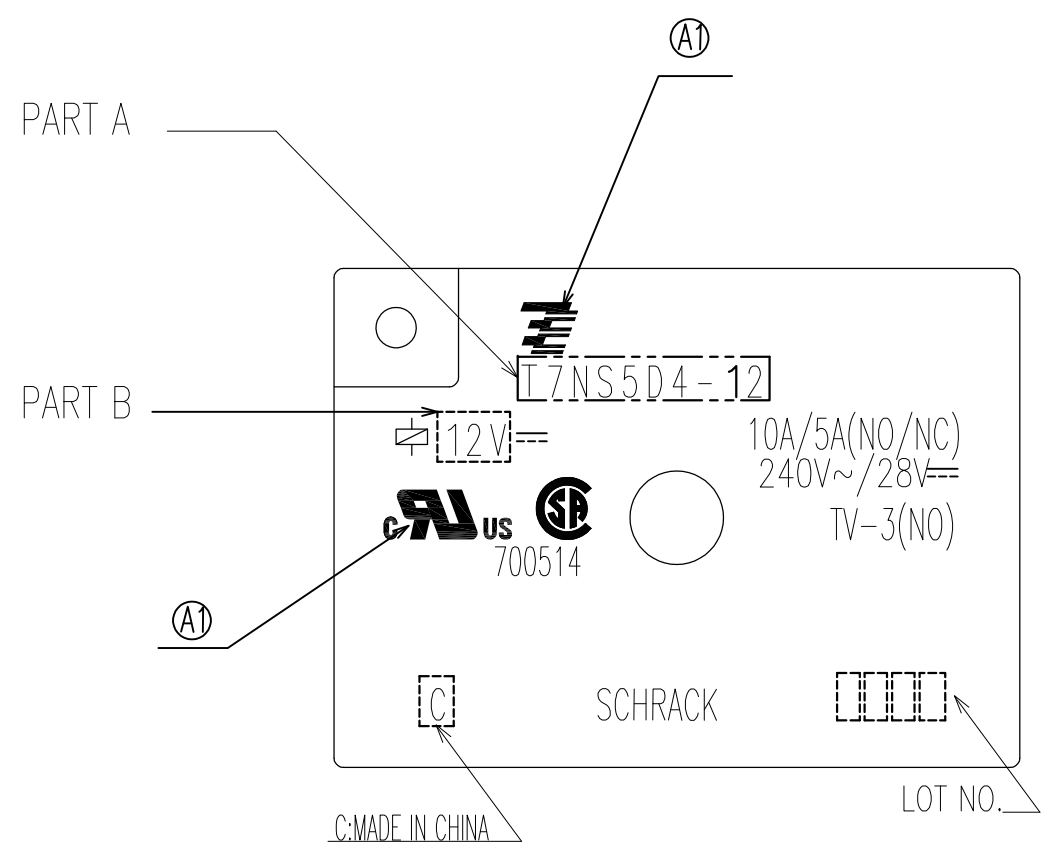
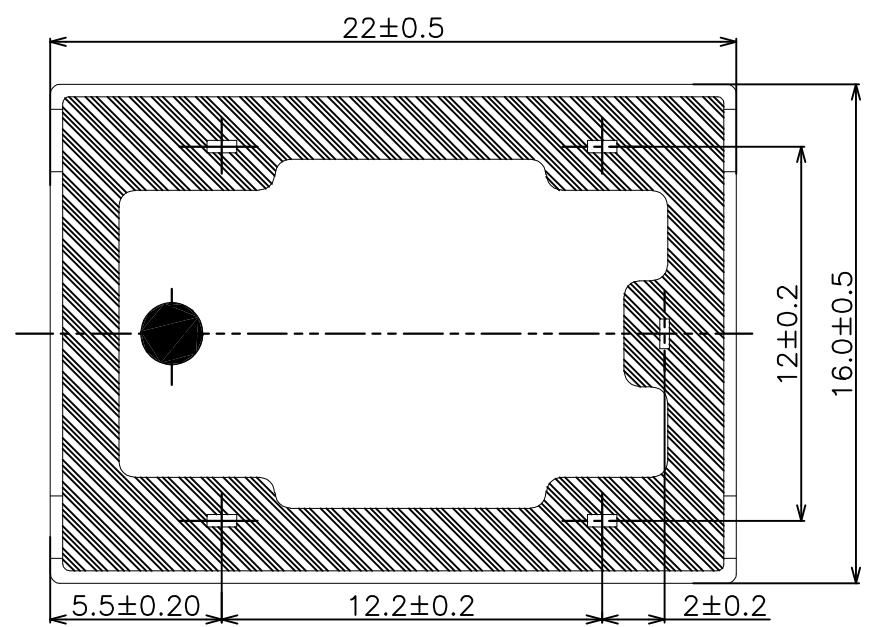
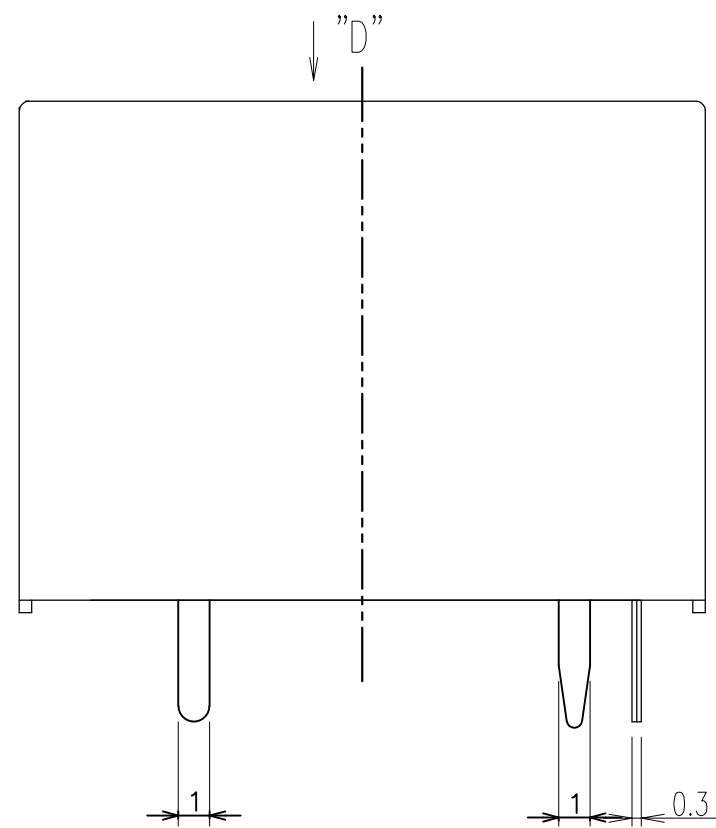
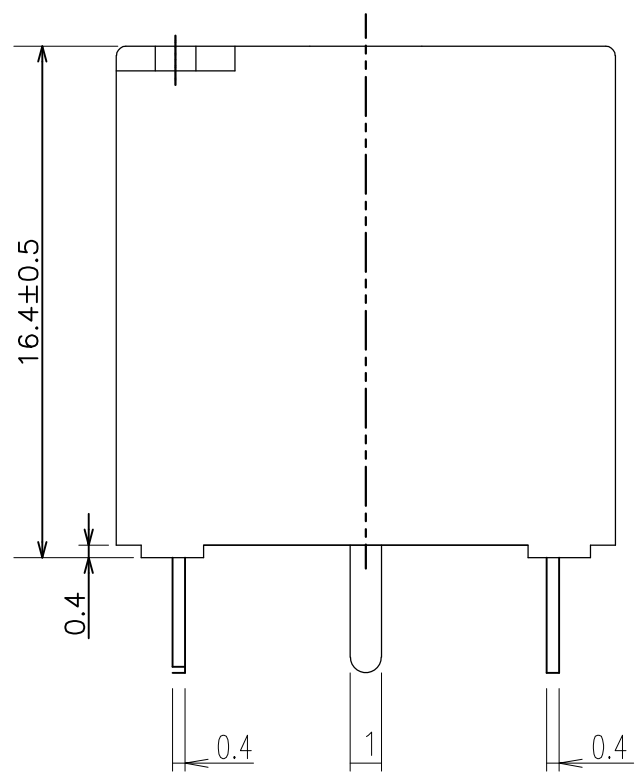
ALL RIGHTS RESERVED.

LOC  
HB

DIST

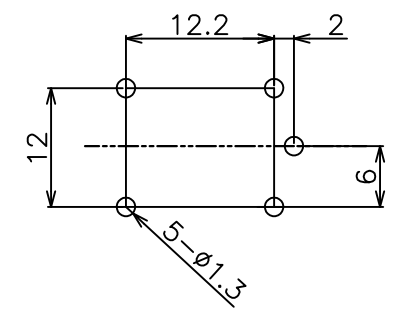
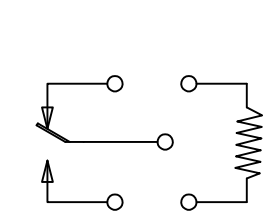
REVISIONS

P	LTR	DESCRIPTION	DATE	DWN	APVD
	A2	REVISED PER ECO-11-005140	26MAR11	RK	HMR



CONNECTION DIAGRAM (BOTTOM VIEW)

DRILLING DIAGRAM(2/1) (BOTTOM VIEW)



DIMENSIONS: mm	TOLERANCES UNLESS OTHERWISE SPECIFIED: 0 PLC ± 1 PLC ± 2 PLC ± 3 PLC ± 4 PLC ±	DWN	ZUAN,ZHOU				
		CHK	BANGHUA.YU				
MATERIAL	FINISH	APVD	SUNNY.ZHANG	NAME			
		PRODUCT SPEC	-	T7NS5D4-**,005 CUSTOMER DRAWING			
		APPLICATION SPEC	-	SIZE	CAGE CODE	DRAWING NO	RESTRICTED TO
		WEIGHT	-	A3	00779	5-1440006-9	-
CUSTOMER DRAWING				SCALE	4:1	SHEET	1 OF 2
						REV	A2

THIS DRAWING IS UNPUBLISHED.

RELEASED FOR PUBLICATION

© COPYRIGHT

ALL RIGHTS RESERVED.

LOC

DIST

REVISIONS

P

LTR

DESCRIPTION

ECN

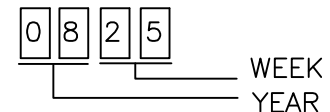
DATE

DWN

APVD

NOTES:

1.LOT NO. SYSTEM AS FOLLOWING:



2.GENERAL TOLERANCE AS FOLLOWING:

TOLERANCE	
0~0.99mm	±0.1
1mm~2.99mm	±0.2
3mm MIN.	±0.3

3.TERMINAL DIMENSION IS NOT INCLUDING SOLDER TIP.

6-1440006-7	48V	T7NS5D4-48
6-1440006-6	36V	T7NS5D4-36
6-1440006-5	24V	T7NS5D4-24
6-1440006-4	18V	T7NS5D4-18
6-1440006-3	12V	T7NS5D4-12
6-1440006-2	9V	T7NS5D4-09
6-1440006-1	6V	T7NS5D4-06
6-1440006-0	5V	T7NS5D4-05
5-1440006-9	3V	T7NS5D4-03
PART NO	PART B	PART A

RELAY TYPE

		POLYURETHANE COPPER WIRE	MAGNETIC WIRE	14
		EPOXY RESIN	SEAL	13
		Cu ALLOY	COIL TERMINAL	12
		SIVER TIN OXIDE	STATIONARY CONTACT	11
		SIVER TIN OXIDE	MOVABLE CONTACT	10
		Cu ALLOY	NO TERMINAL	9
		Cu ALLOY	NC TERMINAL	8
		Cu ALLOY	MOVABLE SPRING	7
UL94 V-0		PBT	CASE	6
UL94 V-0		PET	BOBBIN	5
UL94 V-0		PET	BASE	4
	Ni PLATED	STEEL	CORE	3
	Ni PLATED	STEEL	ARMATURE	2
	Ni PLATED	STEEL	YOKE	1
INCOMBUSTIBILITY	TREATMENT	MATERIAL	DESCRIPTION	ITEM

DIMENSIONS: mm		TOLERANCES UNLESS OTHERWISE SPECIFIED: 0 PLC ± 1 PLC ± 2 PLC ± 3 PLC ± 4 PLC ±		DWN					
MATERIAL		FINISH		CHK					NAME
				APVD	T7NS5D4-**,005 CUSTOMER DRAWING				
				PRODUCT SPEC	SIZE				
				APPLICATION SPEC	CAGE CODE				
				WEIGHT	DRAWING NO				
				CUSTOMER DRAWING		SCALE 4:1		SHEET 2 OF 2	
						RESTRICTED TO		REV A2	