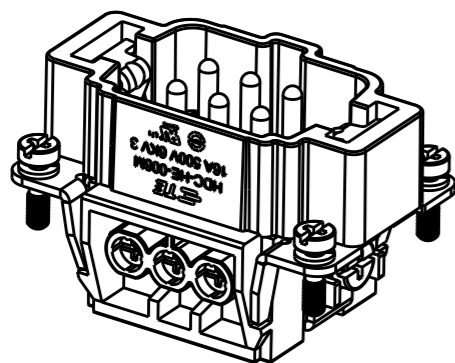
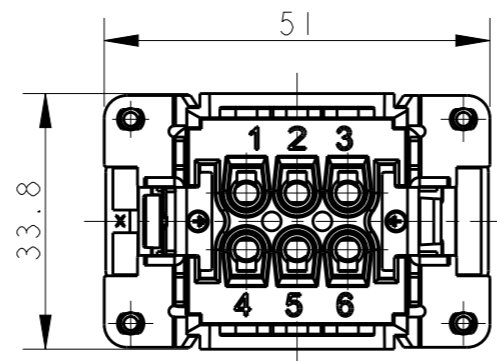


REVISIONS

P	LTR	DESCRIPTION	DATE	DWN	APVD
	A	INITIAL RELEASE	4APR2015	GY	CW
	B	ECR-15-013759	27SEP2015	DW	CW
	B1	ECR-16-011988	24AUG2016	YC	CW



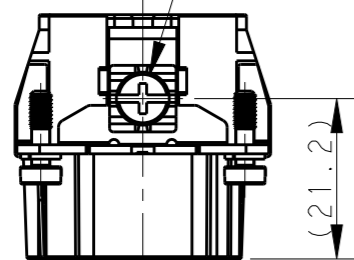
TYPE 1, T2040062101-000, WITH LOGO
 类型 1, T2040062101-000, 带LOGO



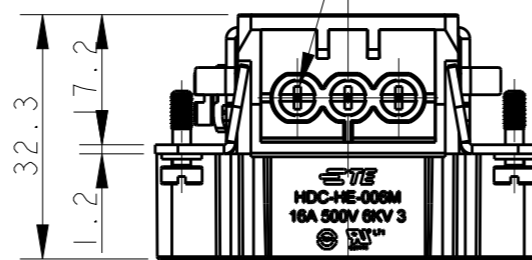
NOTES:

1. TECHNICAL CHARACTERISTICS:
 INSULATION MATERIAL: PC
 RATED VOLTAGE: 500V
 RATED CURRENT: 16A
 INSULATION RESISTANCE: $\geq 400M\Omega$
 RATED IMPULSE VOLTAGE: 6KV
 POLLUTION DEGREE: 3
 FLAMMABILITY: UL94V-0
 MATING CYCLES: 500 CYCLES
 WIRE RANGE: $0.5mm^2 \sim 2.5mm^2$ (AWG20-AWG14)
 CONTACT TYPE: SCREW CLAMP (M3)

M4 SCREW, RECOMMENDED
 TIGHTENING TORQUE 1.2Nm
 M4螺丝, 推荐锁紧力矩1.2Nm

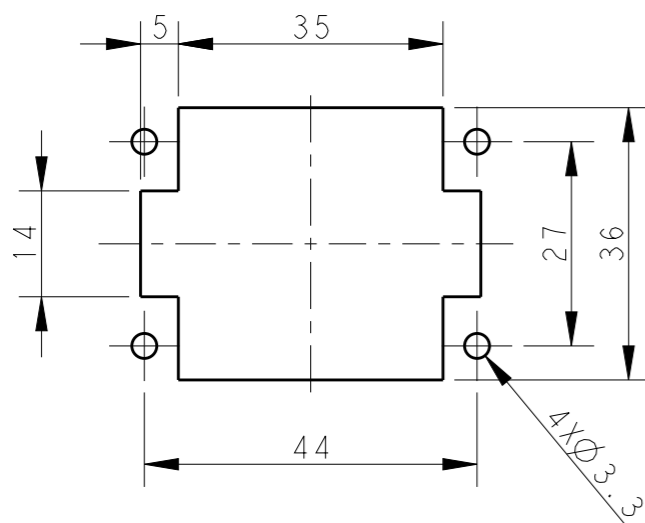


6X M3 SCREW, RECOMMENDED
 TIGHTENING TORQUE 0.5Nm
 6X M3螺丝, 推荐锁紧力矩0.5Nm



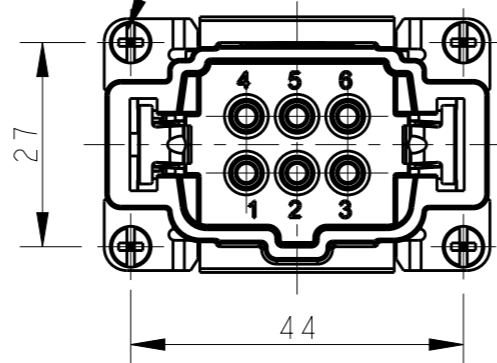
注释:

1. 技术参数:
 绝缘材料: PC
 额定电压: 500V
 额定电流: 16A
 绝缘电阻: $\geq 400M\Omega$
 脉冲电压: 6KV
 污染等级: 3
 阻燃等级: UL94V-0
 插拔次数: 500次
 接线范围: $0.5mm^2 \sim 2.5mm^2$ (AWG20-AWG14)
 接线类型: 螺丝压接 (M3)



PANEL CUT FOR INSERTS FOR USE
 WITHOUT HOODS/ HOUSINGS
 不使用防护外壳时芯件的安装开孔图

4X M3 SCREW, RECOMMENDED
 TIGHTENING TORQUE 0.5Nm
 4X M3螺丝, 推荐锁紧力矩0.5Nm



THIS DRAWING IS A CONTROLLED DOCUMENT.

DIMENSIONS:	TOLERANCES UNLESS OTHERWISE SPECIFIED:
mm	
0 PLC	± -
1 PLC	± -
2 PLC	± -
3 PLC	± -
4 PLC	± -
ANGLES	± -
MATERIAL	FINISH
-	-
-	-

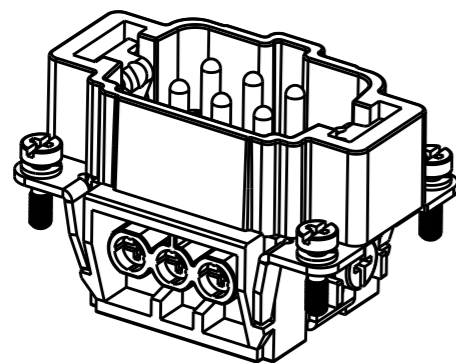
DWN	GINO YAO	4APR2015
CHK	CHRIS WANG	4APR2015
APVD	XIANG XU	4APR2015
PRODUCT SPEC	108-137044	
APPLICATION SPEC	114-137044	
WEIGHT	-	
CUSTOMER DRAWING		



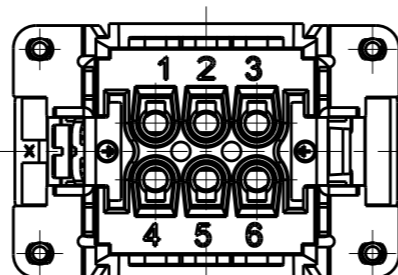
NAME		HE-006-M	
SIZE	CAGE CODE	DRAWING NO	RESTRICTED TO
A3	00779	T2040062101000	-
SCALE		SHEET	REV
1:1		1 OF 2	B1

REVISIONS

P	LTR	DESCRIPTION	DATE	DWN	APVD
		SEE SHEET 1			

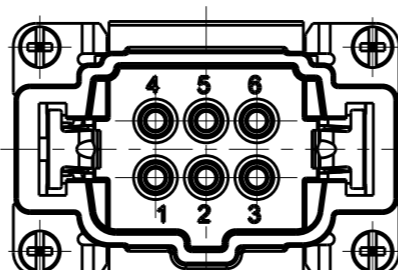
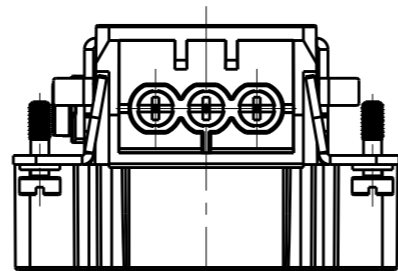
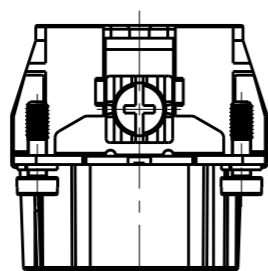


TYPE 2, T2040062101-001, WITHOUT LOGO
 类型 2, T2040062101-001, 不带LOGO



NOTE:
 ALL SPEC REFER TO TYPE 1

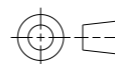
注释:
 所有产品规范参照 TYPE 1



T2040062101-000	HE-006-M	HE-006 MALE INSERT HE-006 公插	TYPE 1
T2040062101-001	HE-006-M	HE-006 MALE INSERT, WITHOUT LOGO HE-006 公插, 无LOGO	TYPE 2
PART NUMBER 料号	PART DESCRIPTION 描述		TYPE 类型

THIS DRAWING IS A CONTROLLED DOCUMENT.

DIMENSIONS:
mm



TOLERANCES UNLESS OTHERWISE SPECIFIED:

- 0 PLC ±-
- 1 PLC ±-
- 2 PLC ±-
- 3 PLC ±-
- 4 PLC ±-
- ANGLES ±-

MATERIAL
-

FINISH
-

DWN GINO YAO 4APR2015
 CHK CHRIS WANG 4APR2015
 APVD XIANG XU 4APR2015

PRODUCT SPEC 108-137044
 APPLICATION SPEC 114-137044

WEIGHT -

NAME HE-006-M



SIZE A3 CAGE CODE 00779 DRAWING NO. T2040062101000 RESTRICTED TO -

CUSTOMER DRAWING SCALE 1:1 SHEET 2 OF 2 REV B1