



Digital Transistors (Built-in Resistors)

EMG11 Dual Digital Transistors (NPN+NPN)

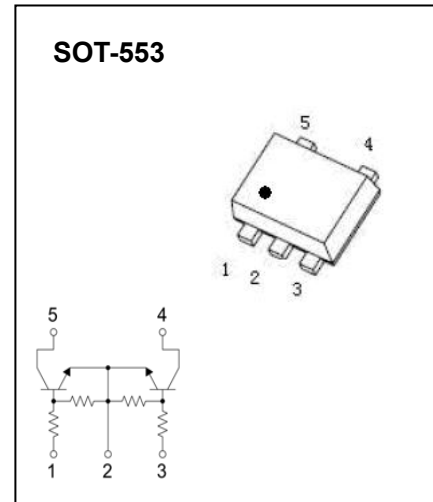
FEATURES

Two DTC123JCA chips in a package

Marking: G11

Absolute maximum ratings ($T_a=25^\circ\text{C}$)

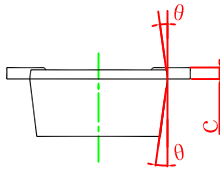
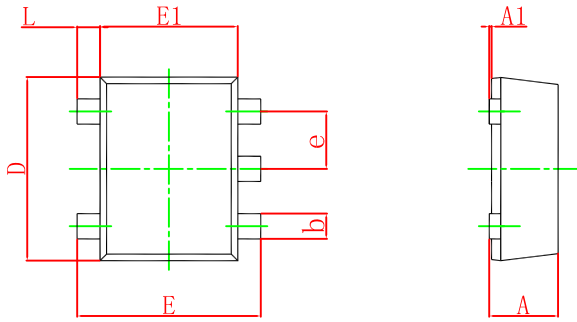
Symbol	Parameter	Value	Units
V_{CC}	Supply Voltage	50	V
V_i	Input voltage	-5~12	V
I_o	Output current	100	mA
P_D	Power dissipation	150	mW
T_J	Junction temperature	150	$^\circ\text{C}$
T_{stg}	Storage temperature	-55~+150	$^\circ\text{C}$



Electrical Characteristics ($T_a=25^\circ\text{C}$)

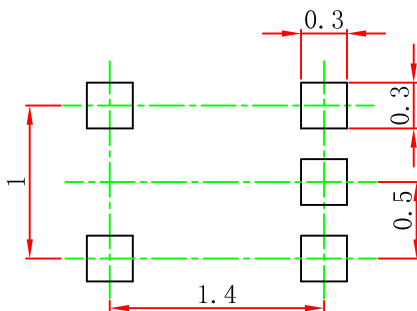
Parameter	Symbol	Test conditions	Min	Typ	Max	Unit
Input turn-on voltage	$V_{i(on)}$	$V_{CC}=0.3V, I_o=5mA$			1.1	V
Input cut-off voltage	$V_{i(off)}$	$V_{CC}=5V, I_o=100\mu A$	0.5			V
Output voltage	$V_{O(on)}$	$I_o=5mA, I_i=0.25mA$			0.3	V
Input cut-off current	I_i	$V_i=5V$			3.6	mA
Output cut-off current	$I_{O(off)}$	$V_{CC}=50V, V_i=0$			0.5	μA
DC current gain	G_i	$V_o=5V, I_o=10mA$	80			
Transition frequency	f_T	$V_{CE}=10V, I_c=5mA, f=100MHz$		250		MHz
Input resistance	R_1			2.2		K Ω
Resistance ratio	R_2/R_1		17		26	

SOT-553 Package Outline Dimensions



Symbol	Dimensions In Millimeters		Dimensions In Inches	
	Min.	Max.	Min.	Max.
A	0.525	0.600	0.021	0.024
A1	0.000	0.050	0.000	0.002
e	0.450	0.550	0.018	0.022
c	0.090	0.160	0.004	0.006
D	1.500	1.700	0.059	0.067
b	0.170	0.270	0.007	0.011
E1	1.100	1.300	0.043	0.051
E	1.500	1.700	0.059	0.067
L	0.100	0.300	0.004	0.012
θ	7° REF.		7° REF.	

SOT-553 Suggested Pad Layout



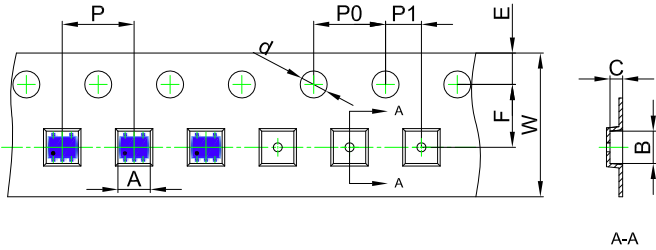
- Note:
1. Controlling dimension: in millimeters.
 2. General tolerance: ± 0.05 mm.
 3. The pad layout is for reference purposes only.

NOTICE

JCET reserve the right to make modifications, enhancements, improvements, corrections or other changes without further notice to any product herein. JCET does not assume any liability arising out of the application or use of any product described herein.

SOT-553 Tape and Reel

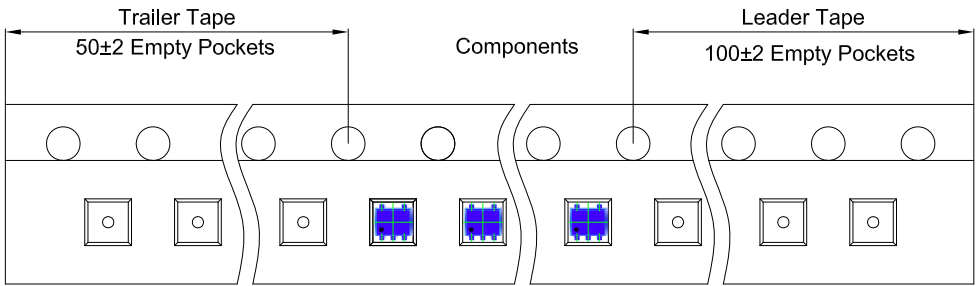
SOT-553 Embossed Carrier Tape



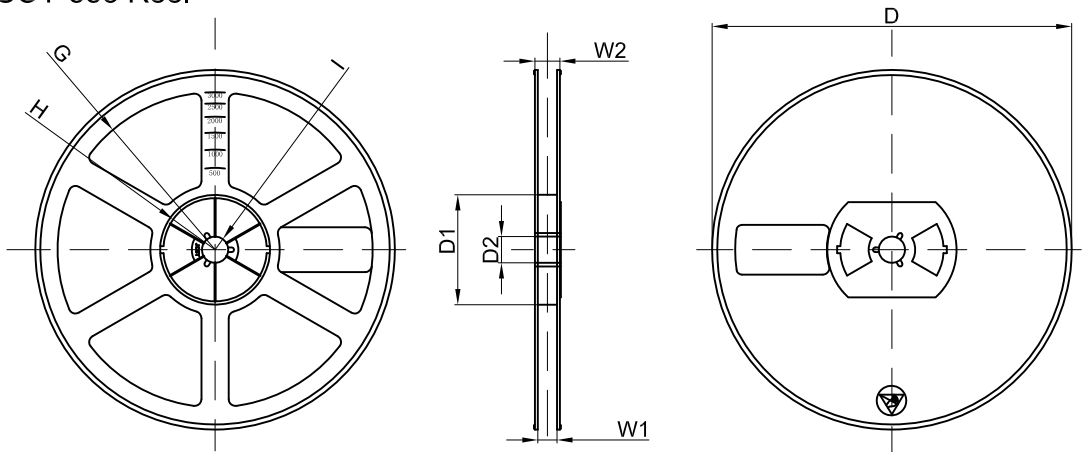
Packaging Description:
 SOT-553 parts are shipped in tape. The carrier tape is made from a dissipative (carbon filled) polycarbonate resin. The cover tape is a multilayer film (Heat Activated Adhesive in nature) primarily composed of polyester film, adhesive layer, sealant, and anti-static sprayed agent. These reeled parts in standard option are shipped with 3,000 units per 7" or 17.8cm diameter reel. The reels are clear in color and is made of polystyrene plastic (anti-static coated).

Dimensions are in millimeter										
Pkg type	A	B	C	d	E	F	P0	P	P1	W
SOT-553	1.78	1.78	0.69	Ø1.50	1.75	3.50	4.00	4.00	2.00	8.00

SOT-553 Tape Leader and Trailer



SOT-553 Reel



Dimensions are in millimeter								
Reel Option	D	D1	D2	G	H	I	W1	W2
7"Dia	Ø178.00	54.40	13.00	R78.00	R25.60	R6.50	9.50	12.30

REEL	Reel Size	Box	Box Size(mm)	Carton	Carton Size(mm)	G.W.(kg)
3000 pcs	7 inch	45,000 pcs	203×203×195	180,000 pcs	438×438×220	