

Silicon NPN Power Transistors

2SC789

DESCRIPTION

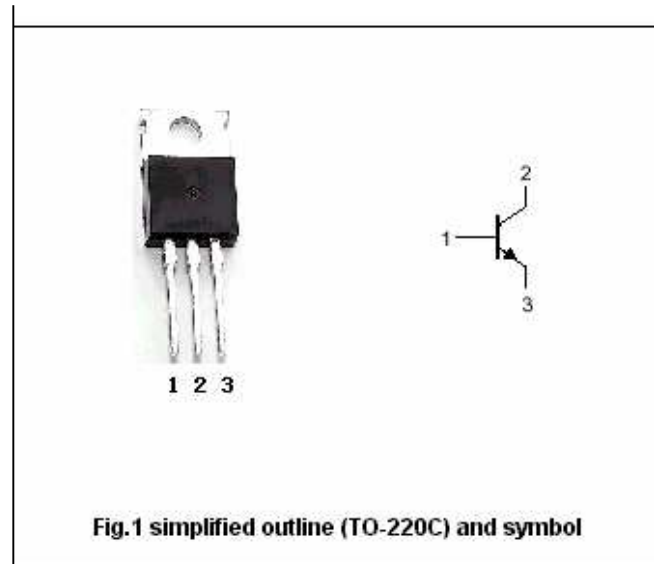
- With TO-220C package
- Low collector saturation voltage

APPLICATIONS

- For medium power linear and switching applications

PINNING

PIN	DESCRIPTION
1	Base
2	Collector;connected to mounting base
3	Emitter

**Absolute maximum ratings (Ta=25?)**

SYMBOL	PARAMETER	CONDITIONS	VALUE	UNIT
V_{CBO}	Collector-base voltage	Open emitter	70	V
V_{CEO}	Collector-emitter voltage	Open base	70	V
V_{EBO}	Emitter-base voltage	Open collector	5	V
I_C	Collector current		4	A
I_B	Base current		1	A
P_C	Collector power dissipation	$T_C=25?$	30	W
T_j	Junction temperature		150	?
T_{stg}	Storage temperature		-55~150	?

Silicon NPN Power Transistors

2SC789

CHARACTERISTICS

T_j=25° unless otherwise specified

SYMBOL	PARAMETER	CONDITIONS	MIN	TYP.	MAX	UNIT
V _{(BR)CEO}	Collector-emitter breakdown voltage	I _C =25m A; I _B =0	70			V
V _{(BR)EBO}	Emitter-base breakdown voltage	I _E =1 mA; I _C =0	5			V
V _{CEsat}	Collector-emitter saturation voltage	I _C =2 A; I _B =0.2 A			1.0	V
V _{BEsat}	Base-emitter saturation voltage	I _C =2 A; I _B =0.2 A			1.5	V
I _{CBO}	Collector cut-off current	V _{CB} =70V; I _E =0			0.1	mA
I _{EBO}	Emitter cut-off current	V _{EB} =5V; I _C =0			0.1	mA
h _{FE}	DC current gain	I _C =0.5A ; V _{CE} =5V	40		240	
f _T	Transition frequency	I _C =0.5A ; V _{CE} =10V	3			MHz

u h_{FE} classifications

O	R	Y
40-80	70-140	120-240

Silicon NPN Power Transistors

2SC789

PACKAGE OUTLINE

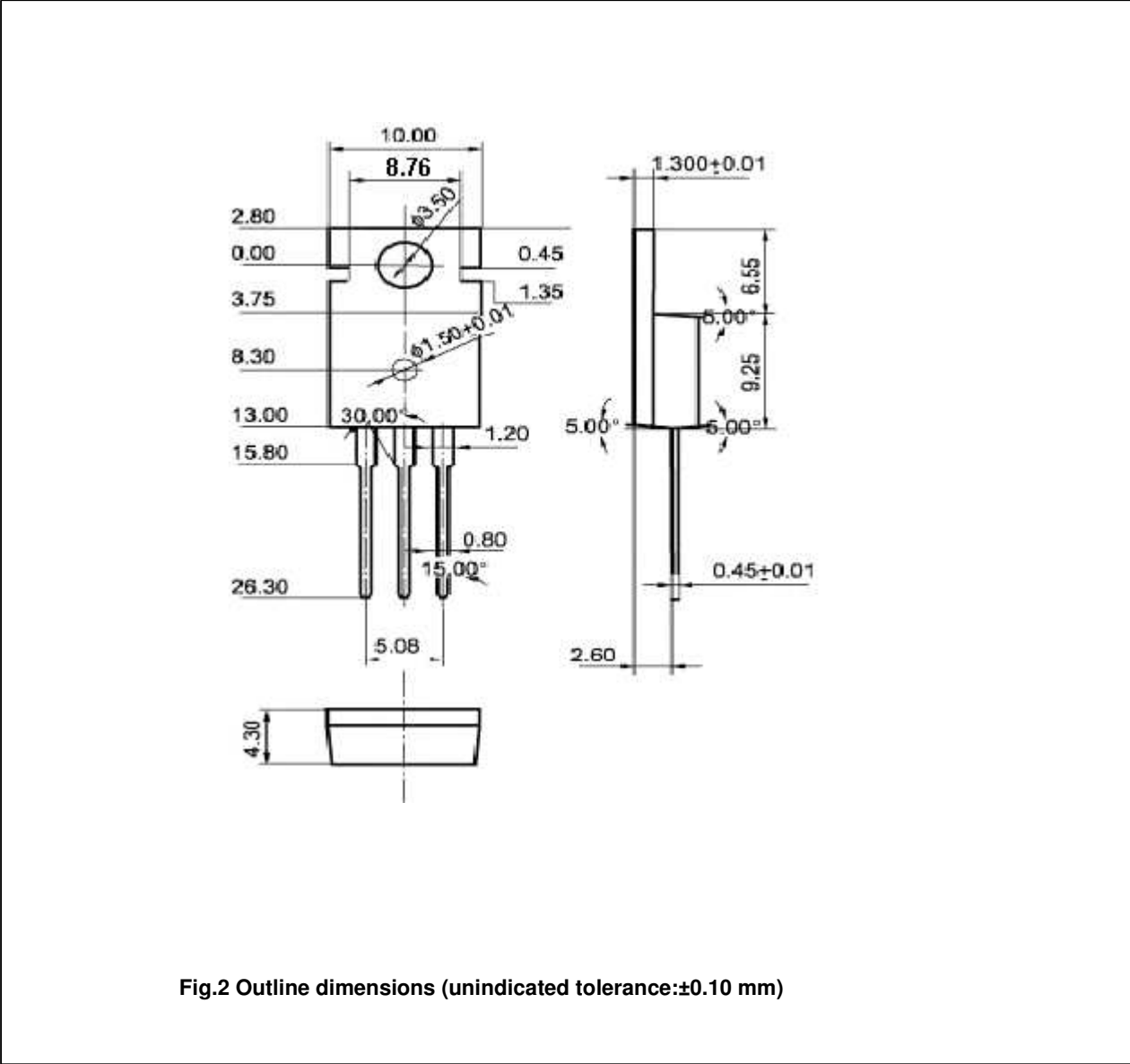


Fig.2 Outline dimensions (unindicated tolerance:±0.10 mm)