

BZY93 Series

FEATURES

- Voltage Range 7.5 -75 Volts
- 1500 Watt Peak Pulse Power
- 20 Watt Steady State @ 75°C
- 15 Watt Steady State @ 100°C
- Glass passivated junction
- 1500 Watt surge capability at 1 ms
- Typically IR less than 5 μ A above 10V
- Excellent clamping capability
- Stud cathode & stud anode
- Operating temperature -55°C to +175°C
- 100% tested

MECHANICAL CHARACTERISTICS

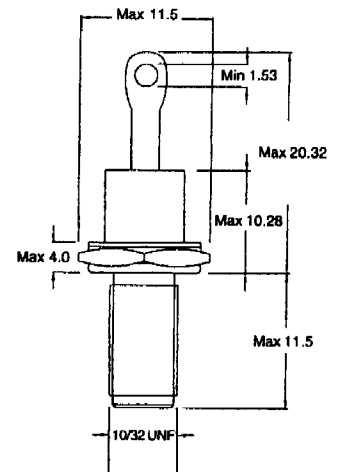
- Case: Hermetically sealed DO-4 outline
- Finish: All external surfaces are corrosion resistant and terminal solderable
- Polarity: Indicated by direction of zener symbol
- Weight: 4.2 grammes excluding mounting kit (approx)
- Torque setting 13inch/lb

ELECTRICAL DATA

- Forward voltage V_f 1.5V max @ $I_f \leq 5A$ 300 μ S square wave pulse
- V_z measured with pulse $\leq 100\mu$ S and duty cycle ≤ 0.001
- R_z determined with DC plus 10% superimposed AC @ 1KHz

ELECTRICAL SPECIFICATION @ Tamb 25°C

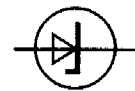
Stud Cathode Part Number	Stud Anode Part Number	Zener Voltage V_z (Volts) @ I_z		I_z (A)	Zener Resistance R_z (Ω) @ I_z		Maximum Reverse Leakage IR @ VR	
		MIN	MAX		Typ	Max	(mA)	(Volts)
BZY93C7V5	BZY93C7V5R	7.0	7.9	2.0	0.04	0.3	0.10	5.1
BZY93C8V2	BZY93C8V2R	7.7	8.7	2.0	0.05	0.3	0.10	5.6
BZY93C9V1	BZY93C9V1R	8.5	9.6	1.0	0.07	0.5	0.05	6.2
BZY93C10	BZY93C10R	9.4	10.6	1.0	0.09	0.5	0.05	6.8
BZY93C11	BZY93C11R	10.4	11.6	1.0	0.08	1.0	0.05	7.5
BZY93C12	BZY93C12R	11.4	12.7	1.0	0.08	1.0	0.05	8.2
BZY93C13	BZY93C13R	12.4	14.1	1.0	0.08	1.0	0.05	9.1
BZY93C15	BZY93C15R	13.8	15.6	1.0	0.10	1.2	0.05	10
BZY93C16	BZY93C16R	15.3	17.1	0.5	0.18	1.2	0.05	11
BZY93C18	BZY93C18R	16.8	19.1	0.5	0.20	1.5	0.05	12
BZY93C20	BZY93C20R	18.8	21.2	0.5	0.20	1.5	0.05	13
BZY93C22	BZY93C22R	20.8	23.3	0.5	0.21	1.8	0.05	15
BZY93C24	BZY93C24R	22.7	25.9	0.5	0.22	2.0	0.05	16
BZY93C27	BZY93C27R	25.1	28.9	0.5	0.25	2.0	0.05	18
BZY93C30	BZY93C30R	28.0	32.0	0.5	0.30	2.5	0.05	20
BZY93C33	BZY93C33R	31.0	35.0	0.5	0.75	4.0	0.05	22
BZY93C36	BZY93C36R	34.0	38.0	0.2	0.85	5.0	0.05	24
BZY93C39	BZY93C39R	37.0	41.0	0.2	0.90	6.5	0.05	27
BZY93C43	BZY93C43R	40.0	46.0	0.2	1.00	7.0	0.05	30
BZY93C47	BZY93C47R	44.0	50.0	0.2	1.00	7.5	0.05	33
BZY93C51	BZY93C51R	48.0	54.0	0.2	1.20	8.0	0.05	36
BZY93C56	BZY93C56R	52.0	60.0	0.2	1.30	9.0	0.05	39
BZY93C62	BZY93C62R	58.0	66.0	0.2	1.50	10.0	0.05	43
BZY93C68	BZY93C68R	64.0	72.0	0.2	1.80	11.0	0.05	47
BZY93C75	BZY93C75R	70.0	79.0	0.2	2.00	15.0	0.05	51



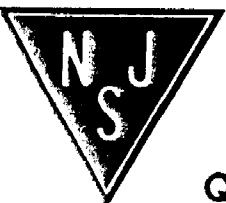
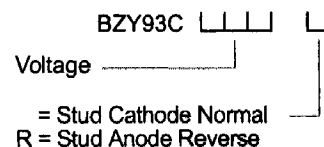
All dimensions in mm



STUD CATHODE NORMAL



STUD ANODE REVERSE



Quality Semi-Conductors

NJ Semi-Conductors reserves the right to change test conditions, parameter limits and package dimensions without notice. Information furnished by NJ Semi-Conductors is believed to be both accurate and reliable at the time of going to press. However, NJ Semi-Conductors assumes no responsibility for any errors or omissions discovered in its use. NJ Semi-Conductors encourages customers to verify that datasheets are current before placing orders.