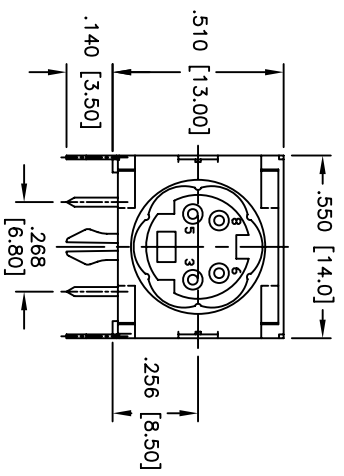
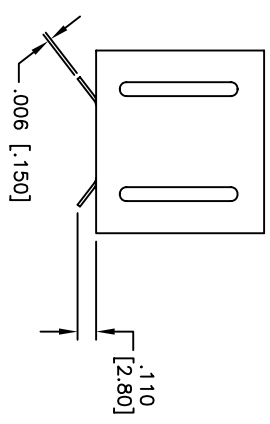
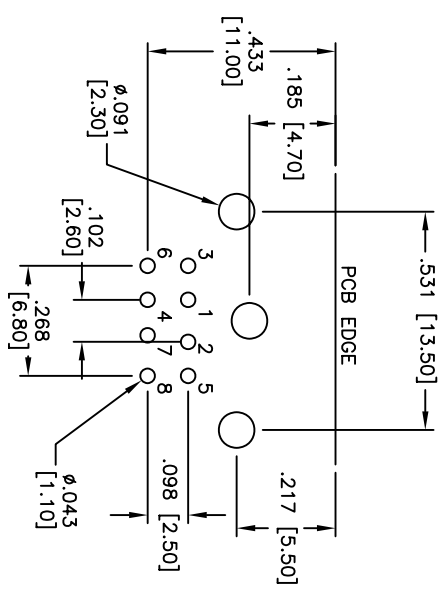
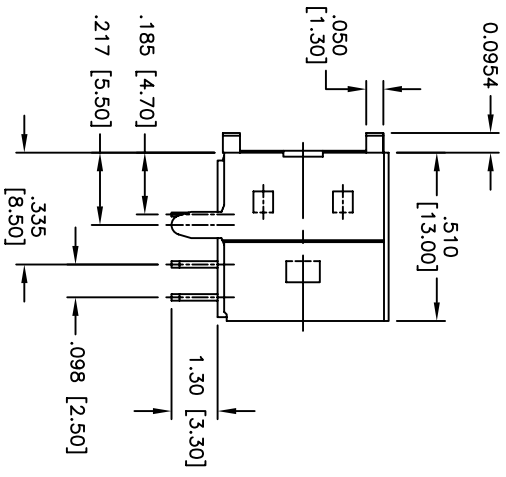


APPROVED: _____
 DATE: _____ TITLE: _____

Rev	AWO #	Description	Date	Appr
-	-	RELEASED	4/12/07	
A		REVISED, ADDED OTHER CONFIGURATIONS	6/4/08	



4 POSITION SHOWN



RECOMMENDED
PCB LAYOUT
TOP VIEW

SPECIFICATIONS:
 Material: Copper Alloy
 Ground Shield: Polybutylene Terephthalate (PBT), glass reinforced thermoplastic, rated UL 94V-0, Color: Black
 Contacts: Copper Alloy
 Plating:
 Terminal Contacts: Gold flash over 50 µin min nickel underplate.
 Ground Shield: 30 µ" tin over 50 µ" nickel underplate.

Electrical:
 Rated voltage: 12 VDC max
 Current rating: 1 Amps max
 Contact resistance: 50 mΩ max
 Insulation resistance: 100 MΩ min @ 500 VDC between adjacent contacts (75°F and 50% R.H.)
 Dielectric withstanding voltage: 500 VAC for 1 minute

Environmental:
 Operating temperature: -25°C to +85°C
 Lead free, RoHS Compliant
 Recommended soldering temp: 235°C for 5 seconds



MATING FACE CONFIGURATIONS	
MDJ-003-FS-PG4	MDJ-004-FS-PG4
MDJ-005-FS-PG4	MDJ-006-FS-PG4
MDJ-007-FS-PG4	MDJ-008-FS-PG4

UNLESS OTHERWISE SPECIFIED
 ALL DIMENSIONS ARE IN INCHES [MM]
 TOLERANCES EXCEPT AS NOTED
 INCHES: .10, .020, .015, .010
 HOLE: .015, .010
 DATE: 4/12/07

ADAM TECH
 909 Rahway Avenue, Union, NJ 07083
 Phone: 908-687-5000 Fax: 908-687-5710

TITLE: MINI DIN JACK, FULLY SHIELDED
 4 POSITION, W/PANEL GROUND TABS

DRAWN	BW	DATE	4/12/07
CHECKED			
APPROVED			

SIZE	PART NO.	REV.
X	MDJ-00X-FS-PG4	A
REF:	SCALE: NTS	SHEET 1 OF 1