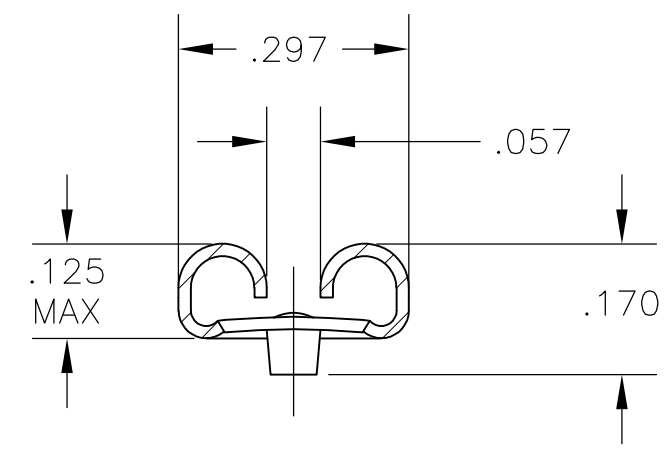
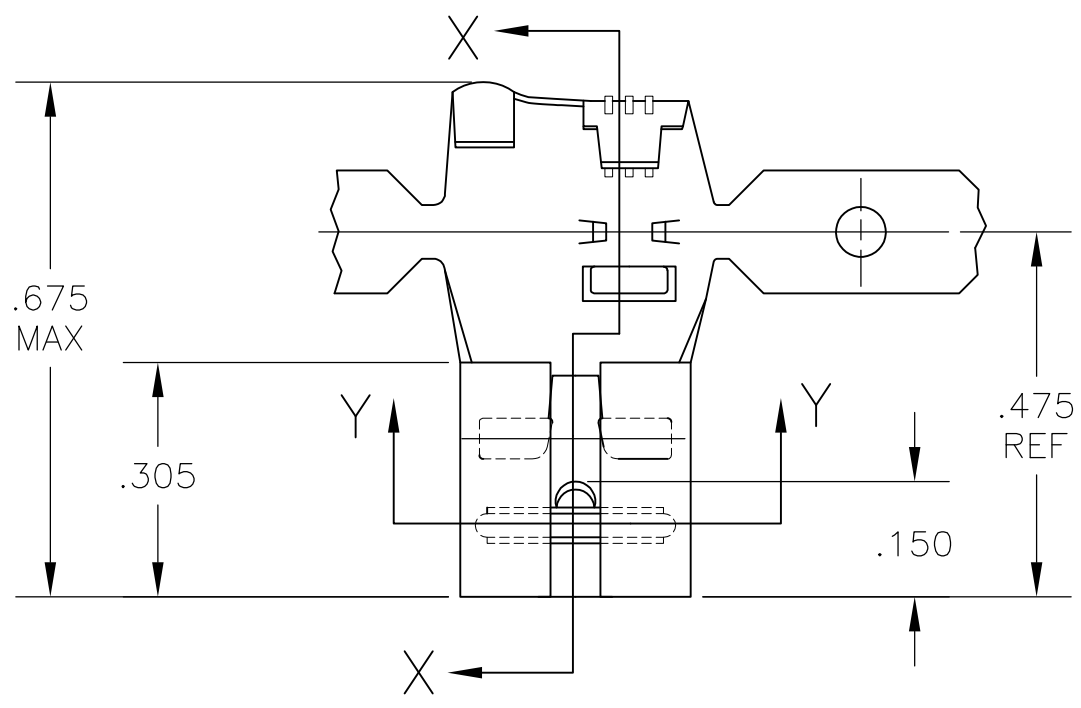


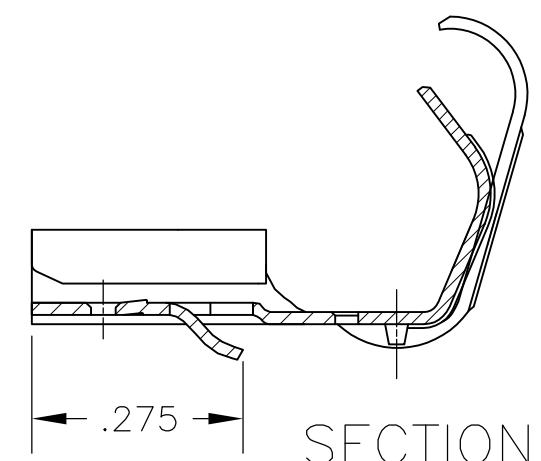
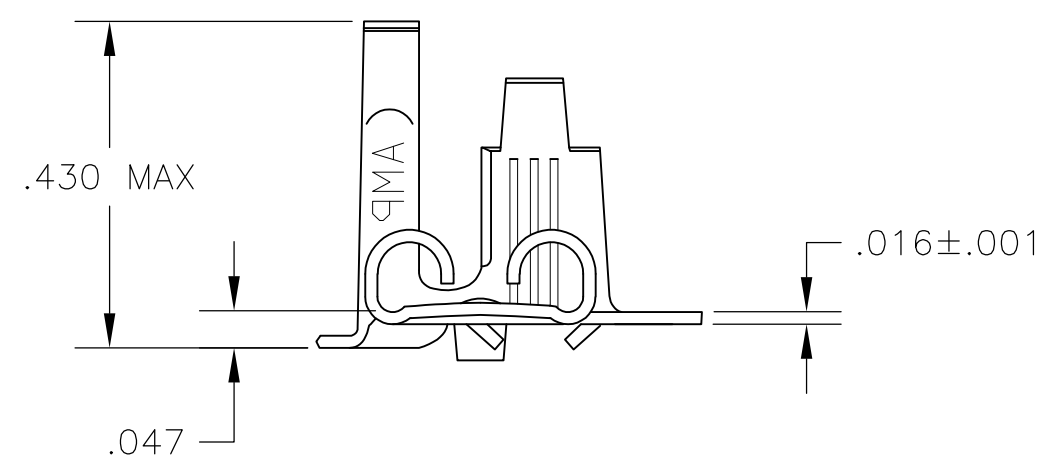
THIS DRAWING IS UNPUBLISHED. RELEASED FOR PUBLICATION  
 © COPYRIGHT - By - ALL RIGHTS RESERVED.

LOC	DIST	REVISIONS					
AF	50	P	LTR	DESCRIPTION	DATE	DWN	APVD
		C		REVISED PER ECR-11-018063	07DEC11	KH	PD

- 1 CONTINUOUS STRIP ON REELS
- 2 WIRE SIZE IS #16-#14 AWG
- 3 INSULATION RANGE IS .110-.210 DIA
- 4 MATING TAB THK IS .032±.001
- △ LUBRICANT APPLIED AFTER PLATING.



SECTION Y-Y



SECTION X-X

1742291-1  
PART NO

THIS DRAWING IS A CONTROLLED DOCUMENT.		DWN	jr_ruth	17MAY05	<b>STE</b> TE Connectivity			
DIMENSIONS: INCHES		CHK	K RANDOLPH	17MAY05				
TOLERANCES UNLESS OTHERWISE SPECIFIED:		APVD	K RANDOLPH	17MAY05	NAME			
0 PLC	± -	PRODUCT SPEC			RECEPTACLE, FLAG, FASTIN-FASTON, .250 SERIES			
1 PLC	± -	APPLICATION SPEC			SIZE	CAGE CODE	DRAWING NO	RESTRICTED TO
2 PLC	± -	WEIGHT			A3	00779	C-1742291	-
3 PLC	± .010	CUSTOMER DRAWING			SCALE	SHEET	REV	C
4 PLC	± -				1:1	1 OF 1		
ANGLES	± 5°							
MATERIAL	FINISH							
H04 PHOS BRONZE	TIN △ 5							