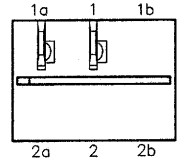
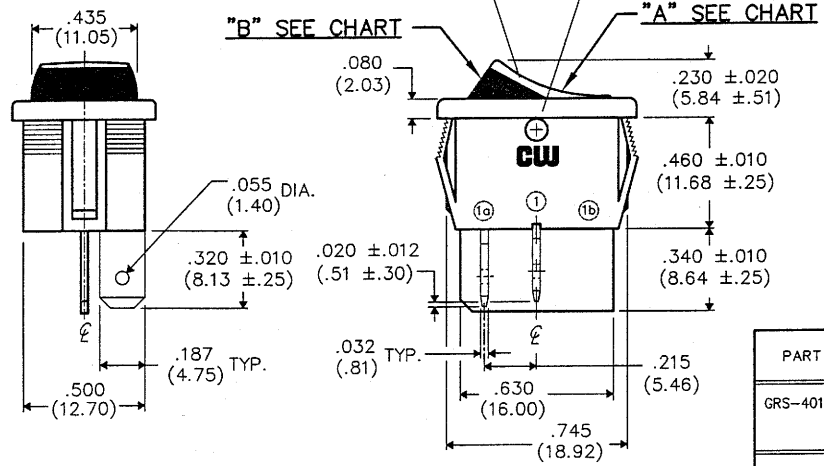
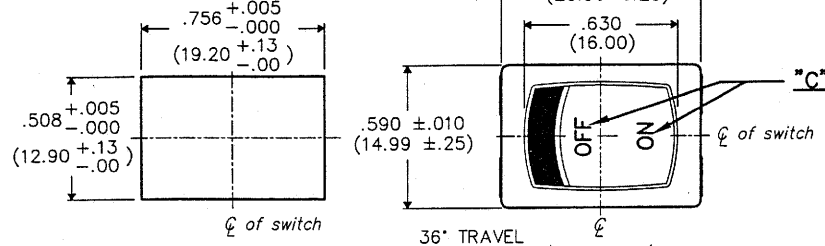


DIMENSIONS IN INCHES (MILLIMETERS)
DO NOT SCALE DRAWING

Dwg. No.
GRS-4011-0139

PANEL PIERCING



BOTTOM VIEW

PART NUMBER	HOUSING COLOR	BUTTON COLOR "A"/"B"/"C"	CIRCUIT	RATING	UL & CSA
GRS-4011-0139	BLACK BK-000	BLACK BK-000/RED CNY-5447/RED CNY-5447	SPST	16A 125-250VAC 3/4 H.P. 125-250VAC 3A 125V L 10A 14V T	APPROVED

E
D
C
B
A

1 2 3 4 5 6 7 8 9 10

REVISIONS

0	RELEASED: 10-10-2006 DWG 10-10-2006 ACT 2.0 2006
---	--

B-FORMAT 2002

CW INDUSTRIES
Southampton, Pa. 18966

TOLERANCES UNLESS OTHERWISE SPECIFIED

2 Place Decimal ±.010	METRIC
3 Place Decimal ±.005	1 Place Dec. ±.25mm
Angles ±1°	2 Place Dec. ±.13mm

Made for: CW IND.
Drawn by: DGW 10-10-2006
Checked by: G. Guld 10-12-06
Approval: J.F. [Signature] 10-20-06

PDF FILE MADE

Title: **2 COLOR
ROCKER SWIDGET
ASSEMBLY
SP/ST (POP IN)**

Division: **SWITCH**

Dwg. No. **GRS-4011-0139**