



Features

- Split knurled or plain shaft options
- DPDT latching-push switch
- Metal bushing and shaft
- Carbon element
- Linear and audio taper options
- RoHS compliant*



PDB185-GTR - 17 mm Guitar Potentiometer w/Latching-Push Switch

Electrical Characteristics

Taper..... Linear, audio
 Standard Resistance Range
 10K ohms to 1M ohms
 Standard Resistance Tolerance.....±20 %
 Residual Resistance..... 2 Ω max.

Environmental Characteristics

Operating Temperature
-10 °C to +70 °C
 Power Rating
 Linear 0.1 watt
 Audio 0.05 watt
 Maximum Operating Voltage
 Linear 150 V
 Audio 100 V
 Sliding Noise.....47 mV max.

Mechanical Characteristics

Mechanical Angle 300 ° ±5 °
 Rotational Torque 20 to 150 g-cm
 Stop Strength..... 8 kg-cm min.
 Rotational Life..... 15,000 cycles
 Switch Life 10,000 actuations
 Switch Type DPDT
 Switch Travel 4.0 ± 0.8 mm
 Switch Operating Force.....2 kgf max.
 Switch Operating Speed.....1 sec.
 Soldering Condition
 Wave260 °C max., 5 sec. max.
 Manual350 °C max., 3 sec. max.
 Hardware Two flat washers and
 two mounting nuts supplied per
 potentiometer

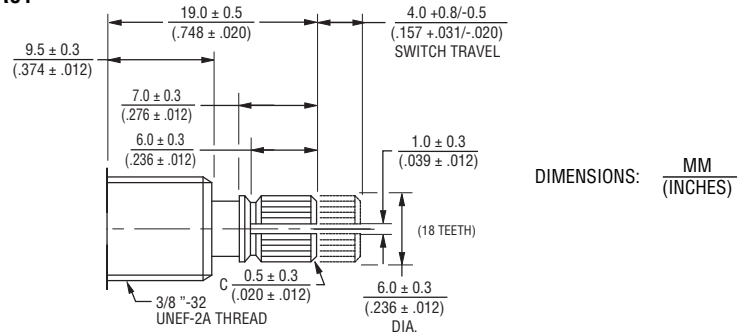
How To Order

PDB185 - GTR 11 - 504 A2

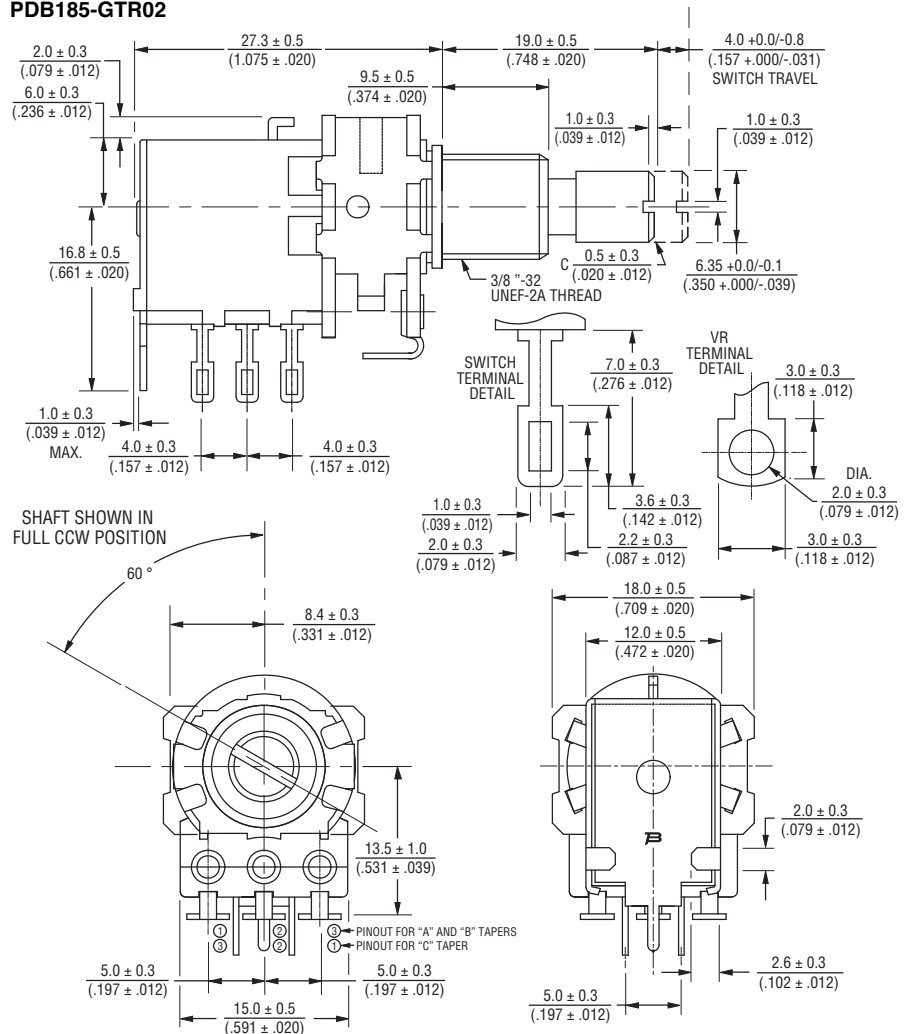
Model _____
 Guitar Pot Designator _____
 Configuration _____
 • 01 = Knurled Shaft (18 Tooth) /
 Solder Lugs
 • 02 = Slotted Shaft / Solder Lugs
 • 04 = Slotted Shaft/PC Pins
 • 11 = Knurled Shaft (24 Tooth) /
 Solder Lugs
 • 13 = Knurled Shaft (24 Tooth) /
 PC Pins
 • 31 = Knurled Shaft (18 Tooth) /
 Solder Lugs, Long Bushing
 • 32 = Slotted Shaft / Solder Lugs /
 Long Bushing
 • 33 = Knurled Shaft (24 Tooth) /
 Solder Lugs, Long Bushing
 Resistance Code (See table) _____
 Resistance Taper (See taper charts) _____

Product Dimensions

PDB185-GTR01



PDB185-GTR02



*RoHS Directive 2002/95/EC Jan. 27, 2003 including annex and RoHS Recast 2011/65/EU June 8, 2011.
 Specifications are subject to change without notice.

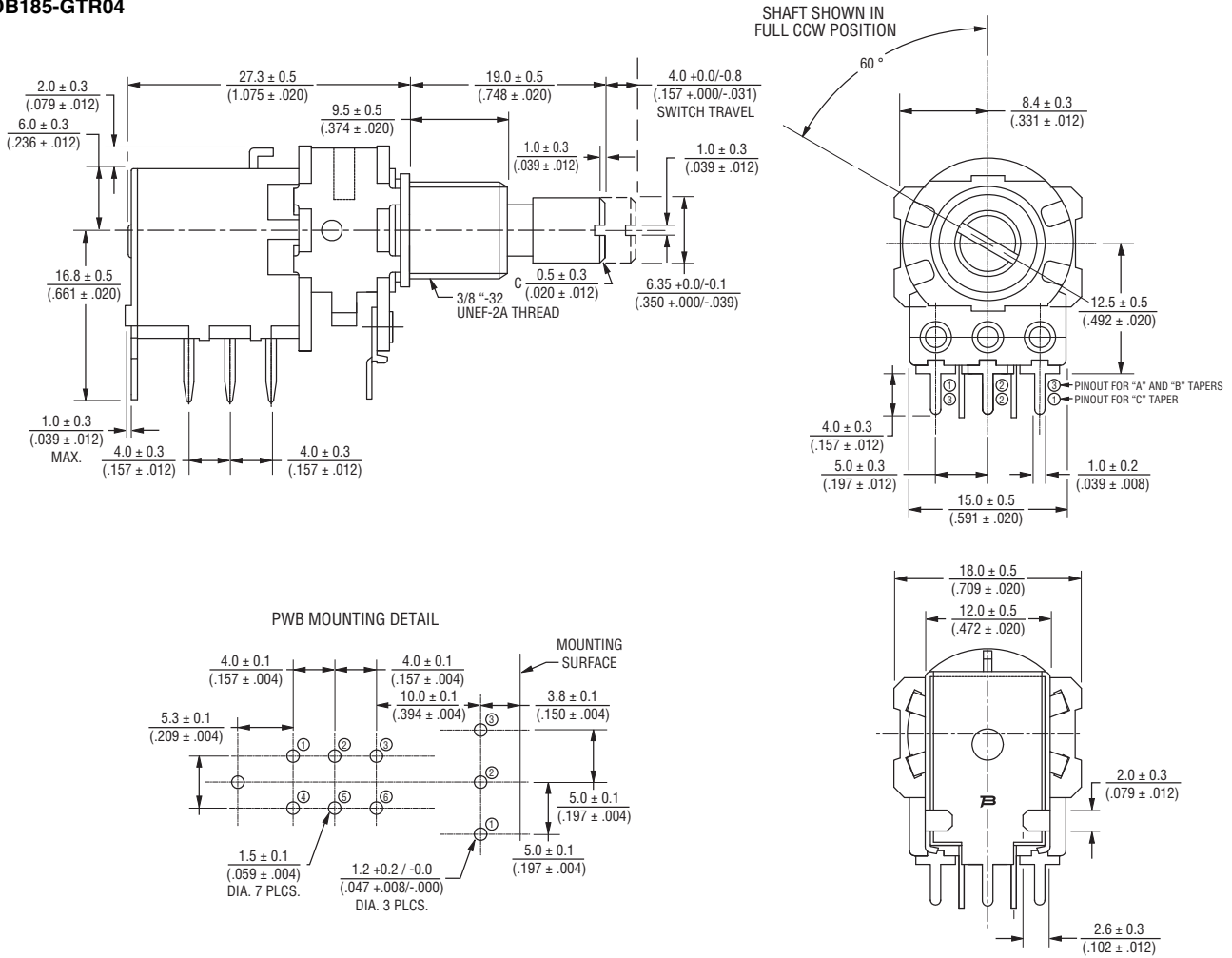
The device characteristics and parameters in this data sheet can and do vary in different applications and actual device performance may vary over time.
 Users should verify actual device performance in their specific applications.

PDB185-GTR - 17 mm Guitar Potentiometer w/Latching-Push Switch

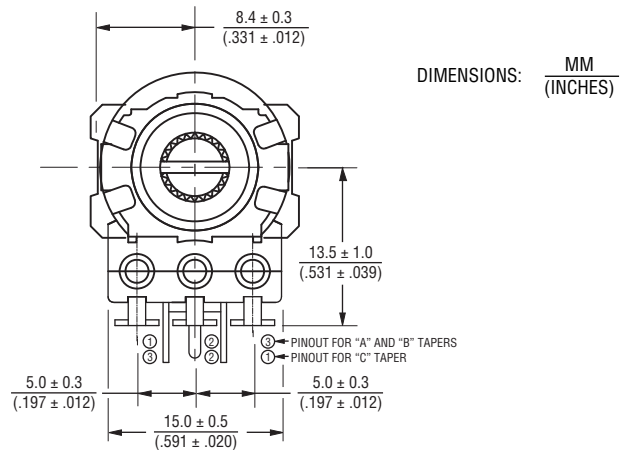
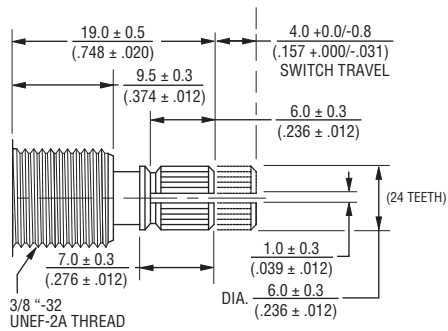


Product Dimensions (Continued)

PDB185-GTR04



PDB185-GTR11, PDB185-GTR13



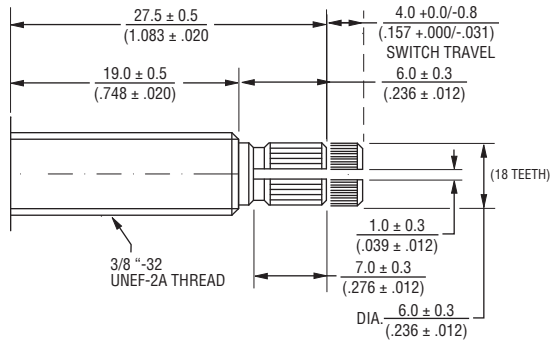
Specifications are subject to change without notice.
The device characteristics and parameters in this data sheet can and do vary in different applications and actual device performance may vary over time.
Users should verify actual device performance in their specific applications.

PDB185-GTR - 17 mm Guitar Potentiometer w/Latching-Push Switch

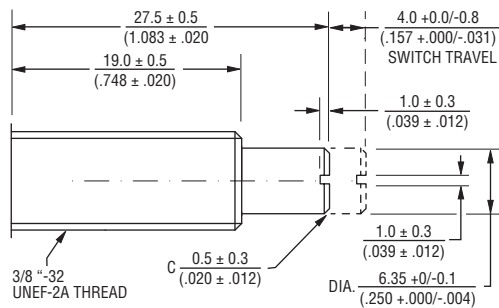


Product Dimensions (Continued)

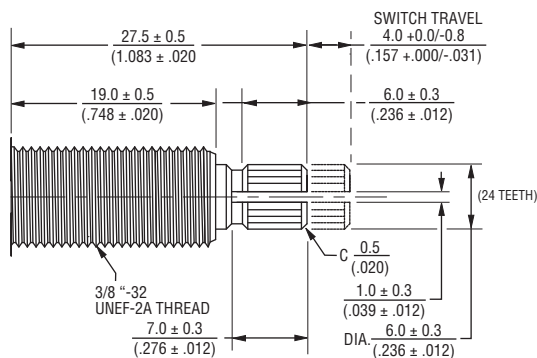
PDB185-GTR31



PDB185-GTR32

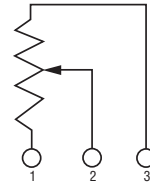


PDB185-GTR33

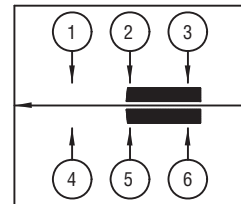


DIMENSIONS: $\frac{\text{MM}}{\text{(INCHES)}}$

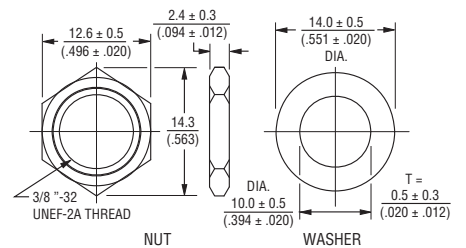
Circuit



Switch Circuit



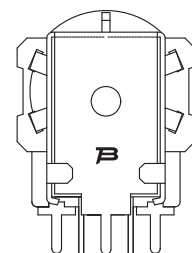
Hardware



Standard Resistance Table

Resistance (Ohms)	Resistance Code
10,000	103
25,000	253
50,000	503
100,000	104
250,000	254
300,000	304
500,000	504
1,000,000	105

Typical Part Marking

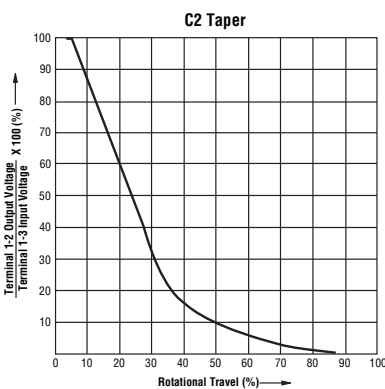
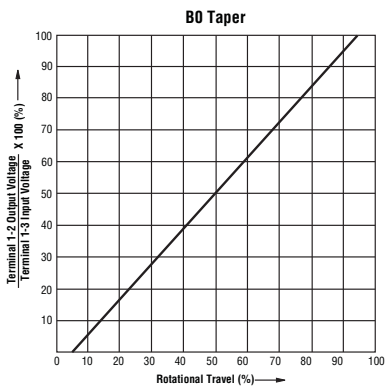
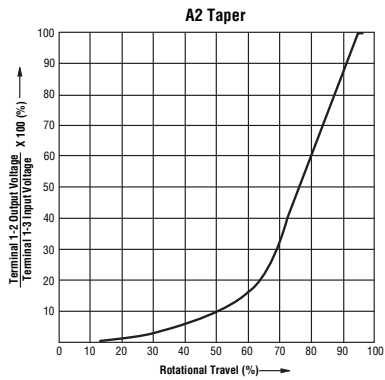


Specifications are subject to change without notice.

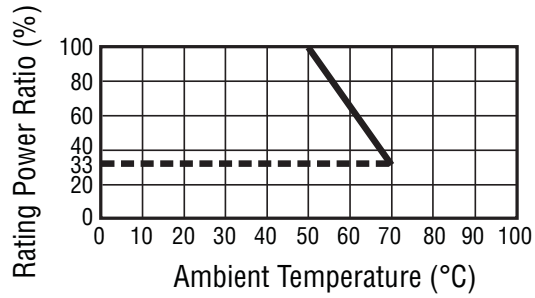
The device characteristics and parameters in this data sheet can and do vary in different applications and actual device performance may vary over time. Users should verify actual device performance in their specific applications.

PDB185-GTR - 17 mm Guitar Potentiometer w/Latching-Push Switch

Tapers



Derating Curve



BOURNS®

Asia-Pacific: Tel: +886-2 2562-4117 • Fax: +886-2 2562-4116

EMEA: Tel: +36 88 520 390 • Fax: +36 88 520 211

The Americas: Tel: +1-951 781-5500 • Fax: +1-951 781-5700

www.bourns.com

REV. 12/15

Specifications are subject to change without notice.

The device characteristics and parameters in this data sheet can and do vary in different applications and actual device performance may vary over time. Users should verify actual device performance in their specific applications.