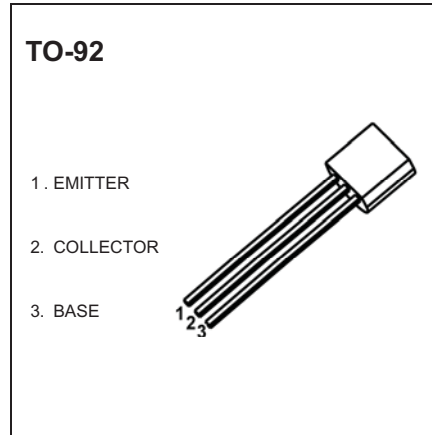


## TO-92 Plastic-Encapsulate Transistors

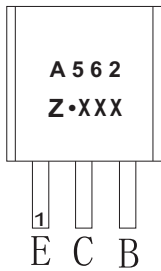
**2SA562** TRANSISTOR (PNP)

### FEATURES

- Excellent  $h_{FE}$  Linearity



### MARKING



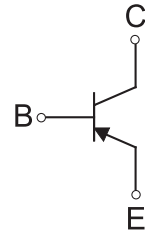
A562=Device code

Solid dot=Green molding compound device,  
if none,the normal device

Z=Rank of  $h_{FE}$

XXX=Code

### Equivalent Circuit



### ORDERING INFORMATION

Part Number	Package	Packing Method	Pack Quantity
2SA562	TO-92	Bulk	1000pcs/Bag
2SA562-TA	TO-92	Tape	2000pcs/Box

### MAXIMUM RATINGS ( $T_a=25^{\circ}\text{C}$ unless otherwise noted)

Symbol	Parameter	Value	Unit
$V_{CBO}$	Collector-Base Voltage	-35	V
$V_{CEO}$	Collector-Emitter Voltage	-30	V
$V_{EBO}$	Emitter-Base Voltage	-5	V
$I_c$	Collector Current -Continuous	-500	mA
$P_c$	Collector Power Dissipation	500	mW
$T_j$	Junction Temperature	150	$^{\circ}\text{C}$
$T_{stg}$	Storage Temperature	-55-150	$^{\circ}\text{C}$

## ELECTRICAL CHARACTERISTICS

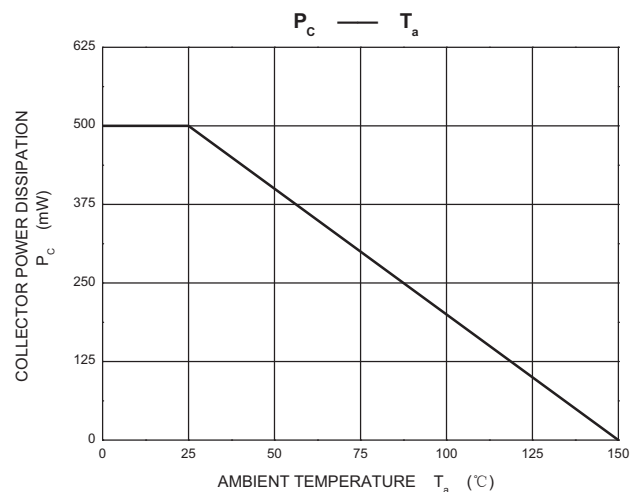
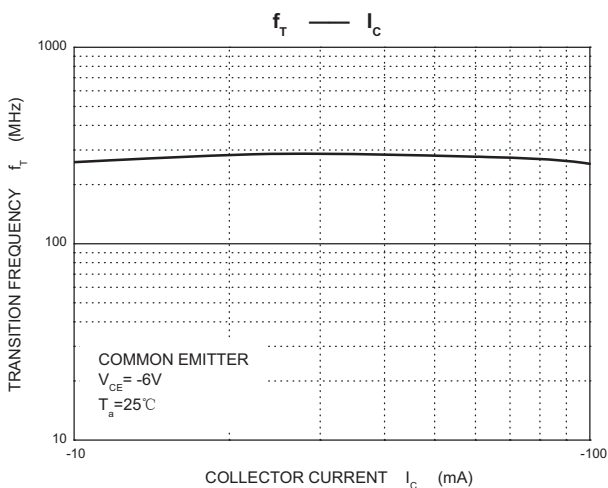
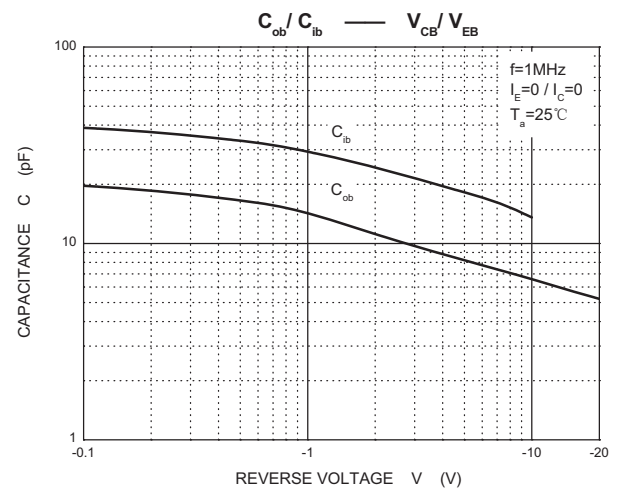
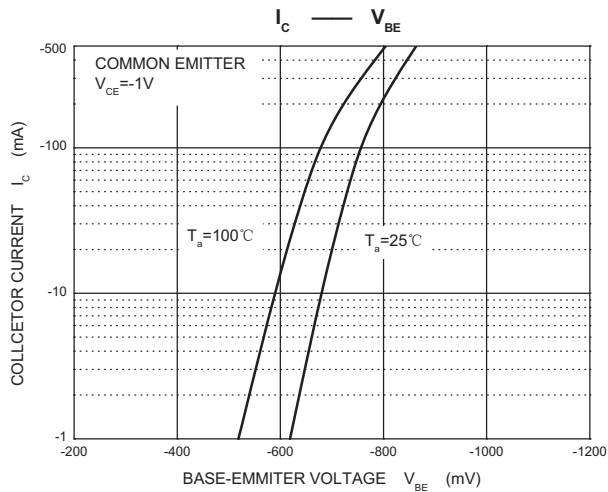
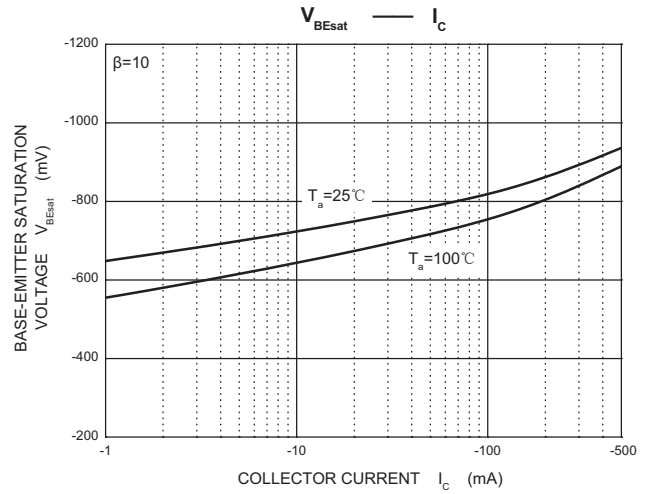
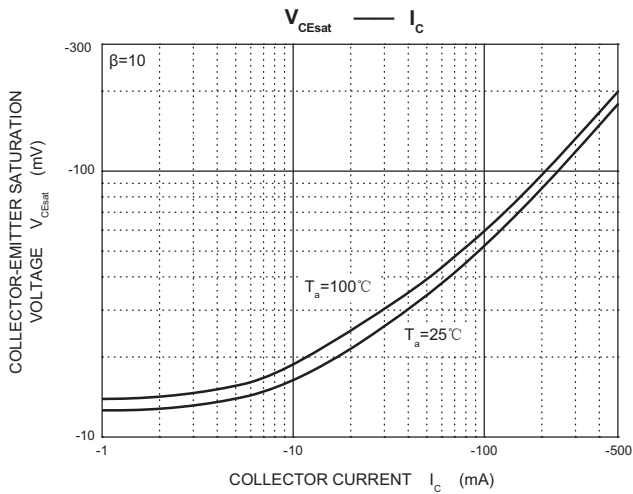
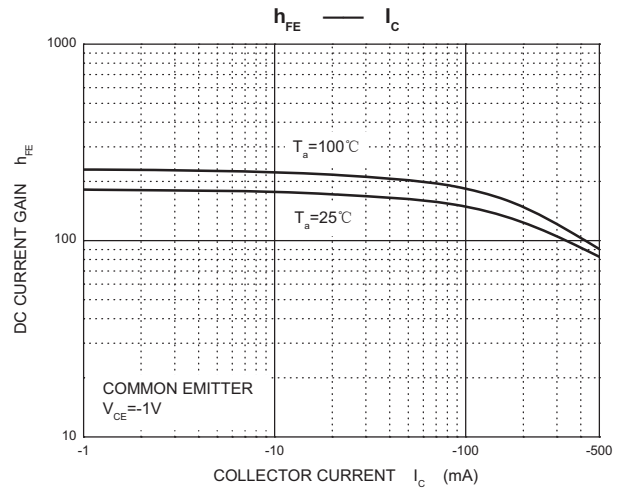
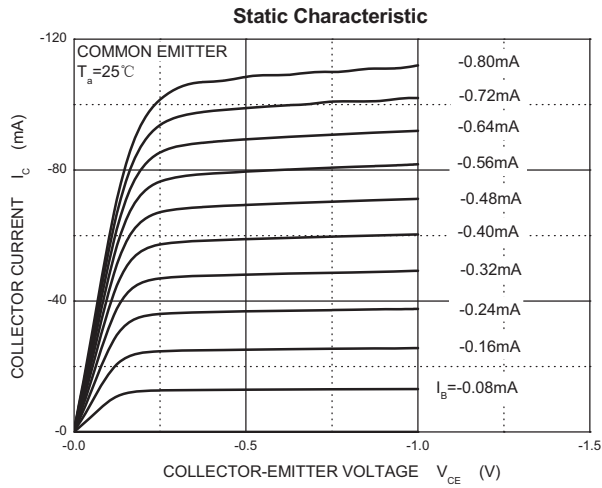
$T_a=25^\circ\text{C}$  unless otherwise specified

Parameter	Symbol	Test conditions	Min	Typ	Max	Unit
Collector-base breakdown voltage	$V(\text{BR})_{\text{CBO}}$	$I_C = -100\mu\text{A}, I_E = 0$	-35			V
Collector-emitter breakdown voltage	$V(\text{BR})_{\text{CEO}}$	$I_C = -1\text{mA}, I_B = 0$				V
Emitter-base breakdown voltage	$V(\text{BR})_{\text{EBO}}$	$I_E = -100\mu\text{A}, I_C = 0$	-5			V
Collector cut-off current	$I_{\text{CBO}}$	$V_{\text{CB}} = -35\text{V}, I_E = 0$			-0.1	$\mu\text{A}$
Emitter cut-off current	$I_{\text{EBO}}$	$V_{\text{EB}} = -5\text{V}, I_C = 0$			-0.1	$\mu\text{A}$
DC current gain	$h_{\text{FE}}$	$V_{\text{CE}} = -1\text{V}, I_C = -100\text{mA}$			240	
Collector-emitter saturation voltage	$V_{\text{CE(sat)}}$	$I_C = -100\text{mA}, I_B = -10\text{mA}$			-0.25	V
Base-emitter voltage	$V_{\text{BE}}$	$V_{\text{CE}} = -1\text{V}, I_C = -100\text{mA}$			-1	V
Transition frequency	$f_{\text{T}}$	$V_{\text{CE}} = -6\text{V}, I_C = -20\text{mA}$		200		MHz
Collector output capacitance	$C_{\text{ob}}$	$V_{\text{CB}} = -6\text{V}, I_E = 0, f = 1\text{MHz}$	13			pF

### CLASSIFICATION OF $h_{\text{FE}}$

RANK	O	Y
RANGE	70-140	120-240

# Typical Characteristics



## TO-92 Package Outline Dimensions



Symbol	Dimensions In Millimeters		Dimensions In Inches	
	Min	Max	Min	Max
A	3.300	3.700	0.130	0.146
A1	1.100	1.400	0.043	0.055
b	0.380	0.550	0.015	0.022
c	0.360	0.510	0.014	0.020
D	4.300	4.700	0.169	0.185
D1	3.430		0.135	
E	4.300	4.700	0.169	0.185
e	1.270 TYP		0.050 TYP	
e1	2.440	2.640	0.096	0.104
L	14.100	14.500	0.555	0.571
Φ		1.600		0.063
h	0.000	0.380	0.000	0.015

## TO-92 Suggested Pad Layout



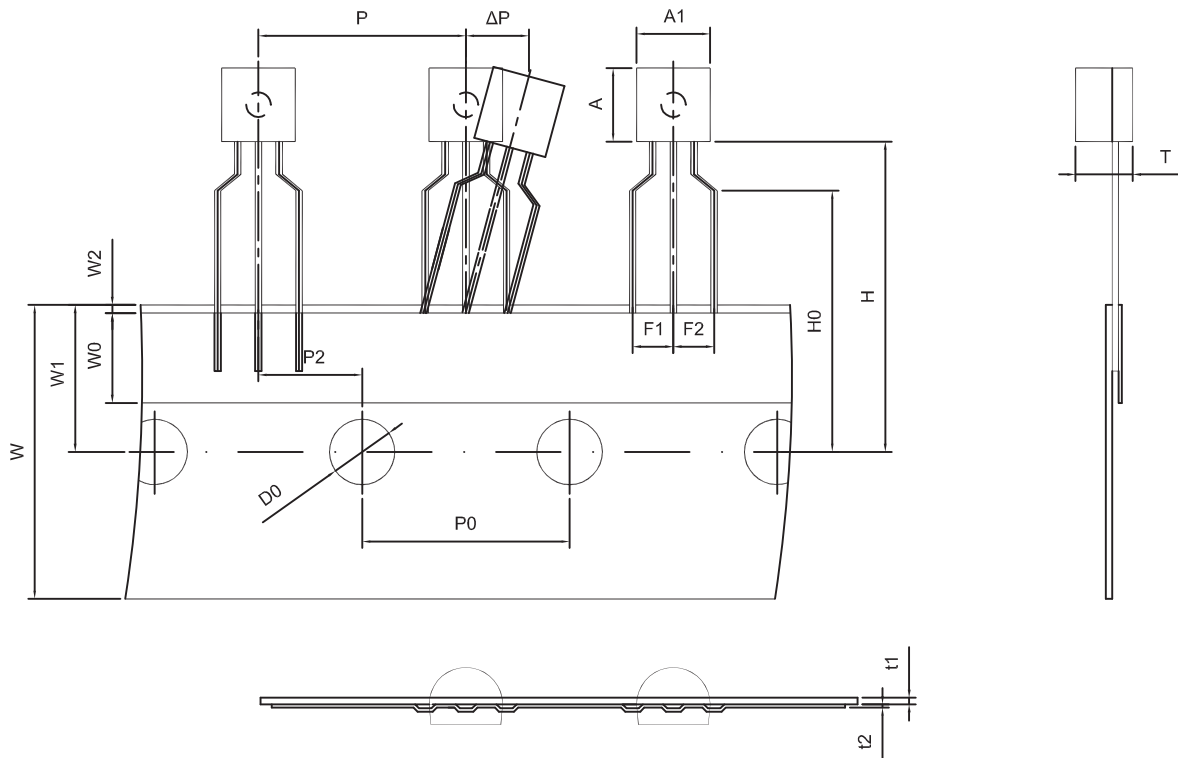
### Note:

1. Controlling dimension: in millimeters.
2. General tolerance:  $\pm 0.05\text{mm}$ .
3. The pad layout is for reference purposes only.

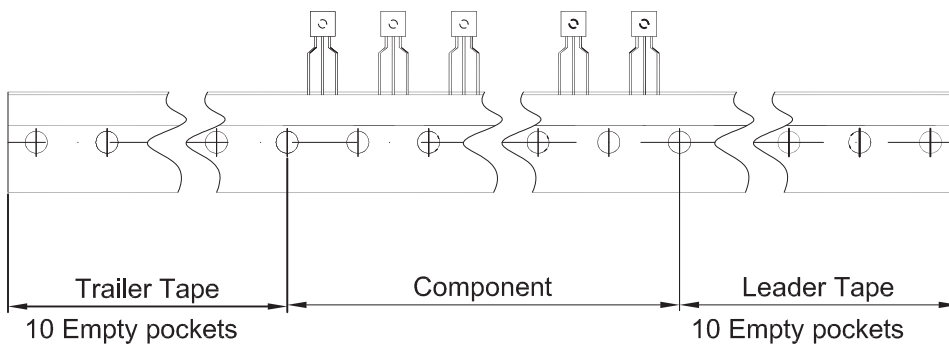
### NOTICE

JCET reserve the right to make modifications, enhancements, improvements, corrections or other changes without further notice to any product herein. JCET does not assume any liability arising out of the application or use of any product described herein.

TO-92 PACKAGE TAPEING DIMENSION



Dimiensions are in millimeter								
A1	A	T	P	P0	P2	F1	F2	W
4.5	4.5	3.5	12.7	12.7	6.35	2.5	2.5	18.0
W0	W1	W2	H	H0	D0	t1	t2	ΔP
6.0	9.0	1.0 MAX.	19.0	16.0	4.0	0.4	0.2	0



Package	Box	Box Size(mm)	Carton	Carton Size(mm)
TO-92	2000 pcs	333×162×43	20,000 pcs	350×340×250