



SOLID STATE DEVICES, INC.

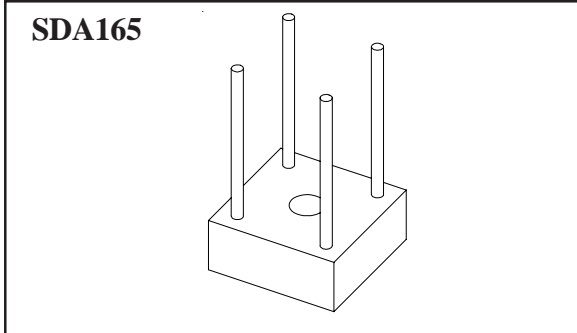
14830 Valley View Blvd * La Mirada, Ca 90638
 Phone: (562) 404-7855 * Fax: (562) 404-1773
 ssdi@ssdi-power.com * www.ssdi-power.com

SDA165AHF thru SDA165HHF

**6 - 10 AMPS
50 - 800 VOLTS
HYPER FAST
SINGLE PHASE BRIDGE**

Designer's Data Sheet

- FEATURES:**
- PIV 50 to 800 Volts
 - Average Output 6 - 10A.
 - Reverse Recovery 35 nsec Max
 - Small Size
 - Hermetically Sealed Rectifiers
 - Easy PC Mounting
 - Maximum Thermal Resistance 5.0°C/W
 - -55 to +150°C Operating and Storage Temperature
 - TX and TXV Level Screening Available



ELECTRICAL CHARACTERISTICS

Part Number	Peak Inverse Voltage (per Leg)	Average Rectified Current	Maximum Surge Current (1 Cycle)	Maximum Forward Voltage (per Leg)		Maximum Reverse Current (@ PIV)	
				V _F	@I _F	I _R	
Symbol	PIV	I _O	I _{FSM}	V _F	Amps	μA	
Units	Volts	Amps	Amps	Volts	Amps	μA	
Conditions	25°C	55°C	25°C	T _A = 25°C		25°C	100°C
SDA165AHF	50	10	125	0.95	6	5.0	200
SDA165BHF	100	10	125	0.95	6	5.0	200
SDA165CHF	150	10	125	0.95	6	5.0	200
SDA165DHF	200	6	50	1.05	3	10.0	1000
SDA165EHF	300	6	50	1.05	3	10.0	1000
SDA165FHF	400	6	75	1.85	3	10.0	250
SDA165GHF	600	6	75	1.85	3	10.0	250
SDA165HHF	800	6	75	2.30	3	10.0	250

NOTES:

1. Maximum forward voltage measured with instantaneous forward pulse of 300μsec minimum.
2. Unless otherwise specified: T_A = 25°C.

NOTE: All specifications are subject to change without notification. SCD's for these devices should be reviewed by SSDI prior to release.

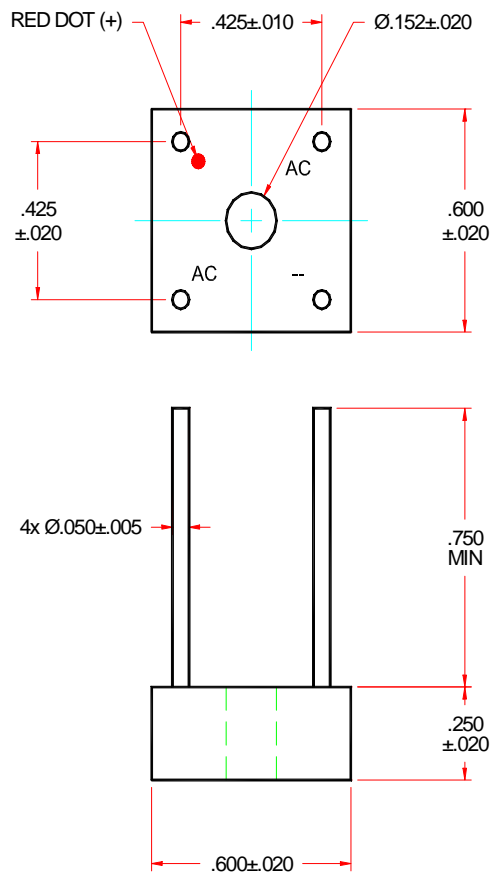
DATA SHEET # : RA0008D

**SDA165AHF
thru
SDA165HHF**



SOLID STATE DEVICES, INC.
14830 Valley View Blvd * La Mirada, Ca 90638
Phone: (562) 404-7855 * Fax: (562) 404-1773
ssdi@ssdi-power.com * www.ssdi-power.com

PACKAGE OUTLINE: SDA165



NOTES:

Consult manufacturing for operating curves.