

DTC0

ultra miniature pcb power relay

DURAKOOL



- Ultra miniature - only 16 x 11 x 11.5mm
- Up to 5A /24VDC rating
- DIL Pitch PCB mounting
- Cost effective
- RoHS Compliant

Contacts

Contact number & arrangement	SPDT (1 Changeover); 1 Form C	
Contact material	AgNi0.15; AgNi0.15 + Au plated	
Max. switching voltage	AC/DC	120VAC, 24VDC
Min. switching current / voltage	1mA/1VDC	
Rated load	AC1	1A (Au plated), 3A, 120VAC (0.2 / 0.36W Coil); 5A, 120VAC (0.45W Coil)
	DC1	1A (Au plated), 3A, 24VDC (0.2 / 0.36W Coil); 5A, 24VDC (0.45W Coil)
Initial resistance	100mΩ, max. at 0.1A/6VDC	

Coil

Rated voltage	DC	3...24V
Must release voltage	≥0.1Un	
Operating range of supply voltage	See coil tables 1, 2 & 3	
Rated power consumption	DC	0.2W (table 1) / 0.36W (table 2) / 0.5W (table 3)

Insulation

Insulation resistance	100MΩ at 500VDC, 50%RH	
Dielectric strength	coil to contact	1250Vrms, 1min
	contact to contact	500Vrms, 1min / 750Vrms, 1min 0.45W coil version

General Data

Operating time (typical)	mS	5
Release time (typical)	mS	5
Electrical Life	ops	1 x 10 ⁵
Mechanical life	ops	1 x 10 ⁷
Dimensions	L x W x H	16 x 11 x 11.5mm
Weight	4g	
Ambient temperature	storage	-25 to 55°C
	operating	-25 to 55°C
Shock resistance	Functional: 10g 11mS; Destructive: 100g	
Vibration resistance	DA 1.5mm 10-55Hz	

DTC0

ultra miniature pcb power relay

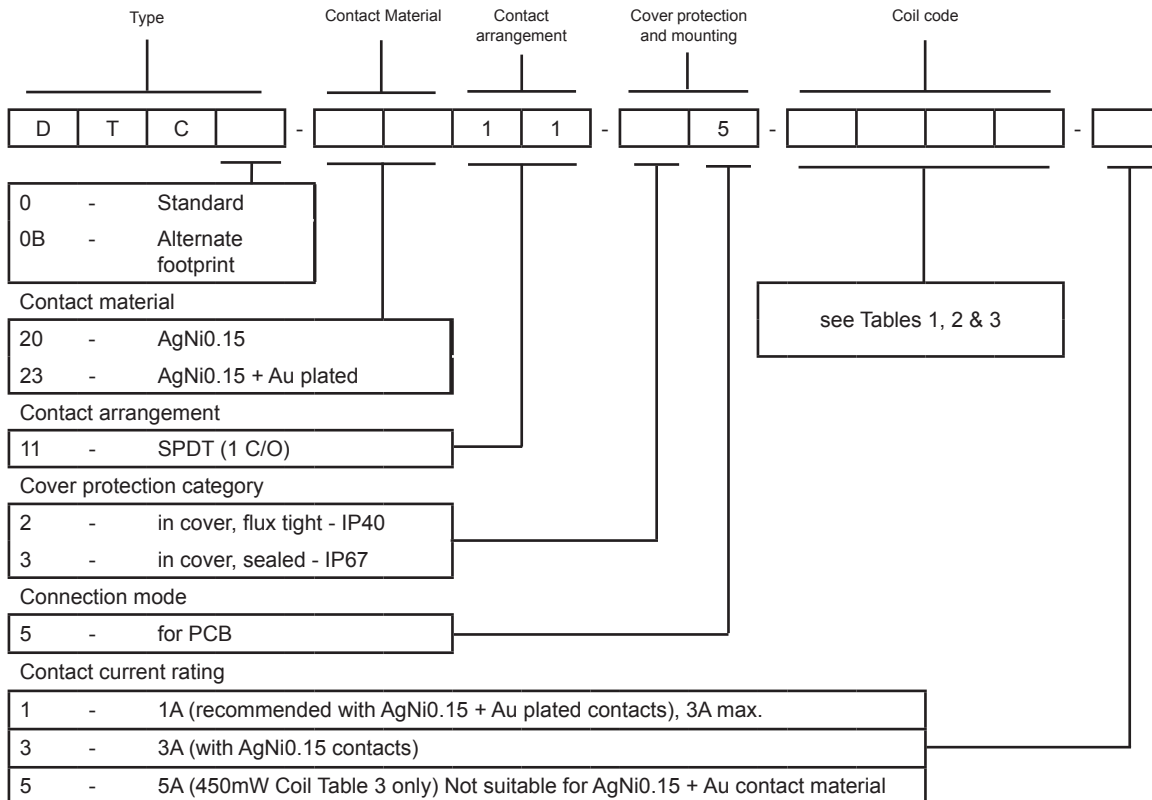


Coil Data (200mW)					Table 1
Coil Voltage Code	Nominal Voltage (VDC)	Coil Resistance (Ω) $\pm 10\%$	Must operate voltage max. (VDC)	Must release voltage min. (VDC)	
S003	3	45	2.25	0.3	
S005	5	120	3.75	0.5	
S006	6	180	4.50	0.6	
S009	9	440	6.85	0.9	
S012	12	700	9.00	1.2	
S024	24	2800	18.00	2.4	

Coil Data (360mW) - Standard					Table 2
Coil Voltage Code	Nominal Voltage (VDC)	Coil Resistance (Ω) $\pm 10\%$	Must operate voltage max. (VDC)	Must release voltage min. (VDC)	
1003	3	25	2.25	0.3	
1005	5	70	3.75	0.5	
1006	6	100	4.50	0.6	
1009	9	220	6.85	0.9	
1012	12	400	9.00	1.2	
1024	24	1600	18.00	2.4	

Coil Data (450mW - 5A Contacts)					Table 3
Coil Voltage Code	Nominal Voltage (VDC)	Coil Resistance (Ω) $\pm 10\%$	Must operate voltage max. (VDC)	Must release voltage min. (VDC)	
H003	3	20	2.25	0.3	
H005	5	56	3.75	0.5	
H006	6	80	4.50	0.6	
H009	9	180	6.85	0.9	
H012	12	320	9.00	1.2	
H024	24	1280	18.00	2.4	

Ordering codes



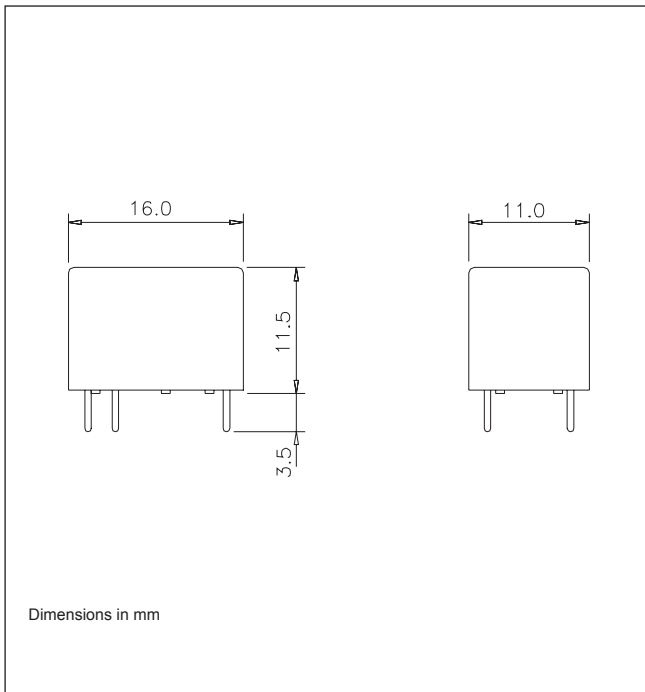
DTC0

ultra miniature pcb power relay



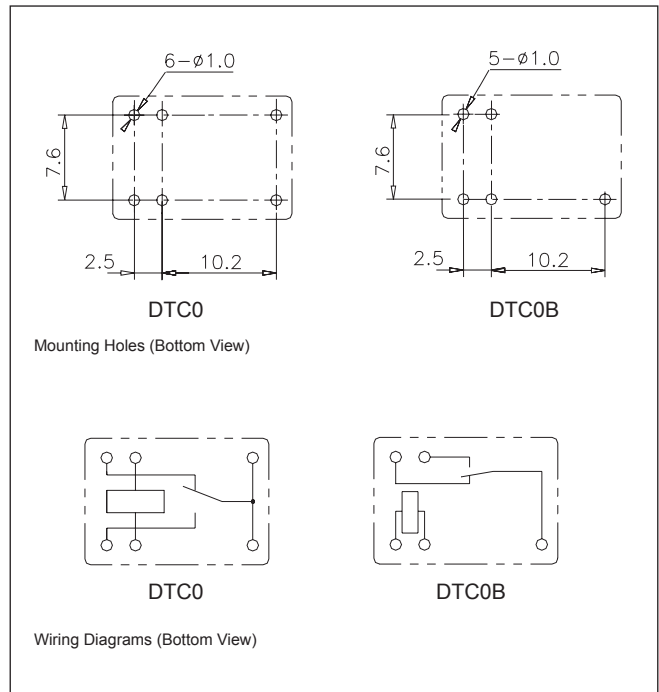
Overall Dimensions

Fig. 1



PCB Mounting Dimensions

Fig. 2



Reference Curves

Fig. 3

