

KBPC10005 THRU KBPC1010

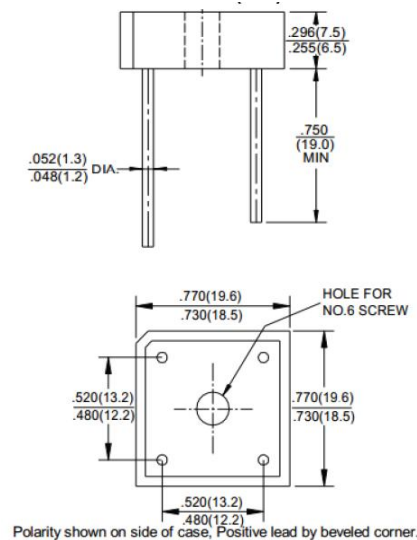
SINGLE-PHASE BRIDGE RECTIFIER

REVERSE VOLTAGE 50 to 1000 Volts FORWARD CURRENT 10.0 Ampere

FEATURES

- ◆ Rating to 1000V PRV
- ◆ Surge overload rating to 175 Amperes peak
- ◆ Ideal for printed circuit board
- ◆ Reliable low cost construction utilizing molded plastic technique results in inexpensive product
- ◆ Lead solderable per MIL-STD-202 method 208
- ◆ Mounting: thru hole for # 6 screw Mounting

BR-8



Dimensions in inches and (millimeters)

MAXIMUM RATINGS AND ELECTRICAL CHARACTERISTICS

Rating at 25°C ambient temperature unless otherwise specified.

Single phase, half wave, 60Hz, resistive or inductive load. For capacitive load, derate current by 20%

PARAMETER	SYMBOL	KBPC 10005	KBPC 1001	KBPC 1002	KBPC 1004	KBPC 1006	KBPC 1008	KBPC 1010	UNIT
Maximum Repetitive Peak Reverse Voltage	V_{RRM}	50	100	200	400	600	800	1000	v
Maximum RMS Voltage	V_{RRM}	35	70	140	280	420	560	700	v
Maximum DC Blocking Voltage	V_{DC}	50	100	200	400	600	800	1000	v
Maximum Average Forward And Output Current @ $T_A=50^\circ\text{C}$	$I_{F(AV)}$	10.0							A
Non-Repetitive Peak Forward Surge Current 8.3ms Single half sine-wave superimposed on rated load	I_{FSM}	175.0							A
Maximum instantaneous forward voltage at 5.0 A	V_F	1.0							V
Maximum Reverse Current @ $T_A=25^\circ\text{C}$ at rated DC blocking voltage @ $T_A=125^\circ\text{C}$	I_R	5.0 0.5							μA mA
Operating junction temperature range	T_J	-55 to +125							$^\circ\text{C}$
Storage Temperature Range	T_{STG}	-55 to +150							$^\circ\text{C}$

Note: 1. Unit mounted on 8.7"×8.7"×0.24" thick (22×22×0.6 cm) Al. plate.

2. Unit mounted on P.C.B at 0.375" (9.5mm) lead length with 0.47"×0.47" (12×12mm) copper pads.

KBPC1005 THRU KBPC1010

SINGLE-PHASE BRIDGE RECTIFIER

REVERSE VOLTAGE 50 to 1000 Volts FORWARD CURRENT 10.0 Ampere

RATING AND CHARACTERISTIC CURVES KBPC1005 THRU KBPC1010

FIG.1 -- PEAK FORWARD SURGE CURRENT

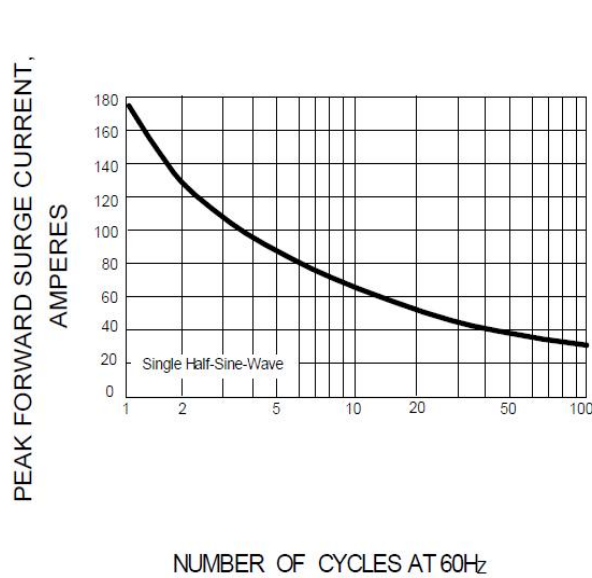


FIG.2 -- FORWARD DERATING CURVE

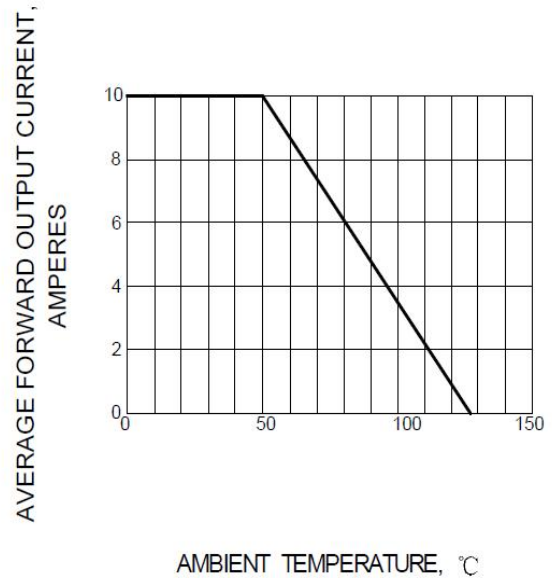


FIG.3 -- TYPICAL FORWARD CHARACTERISTIC

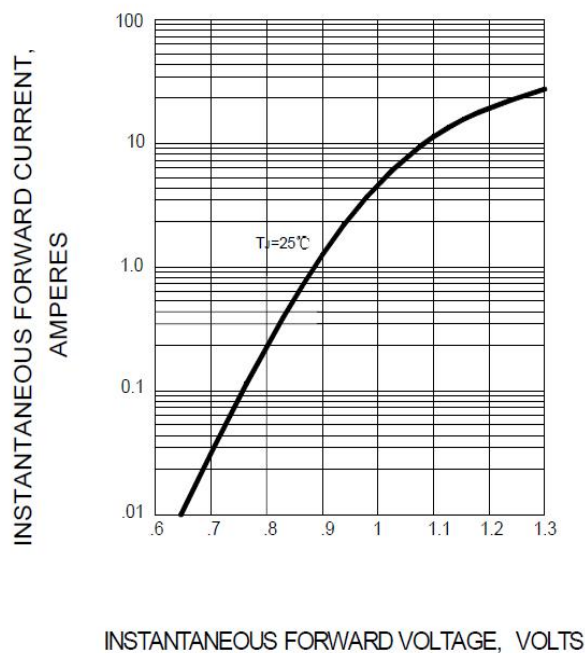
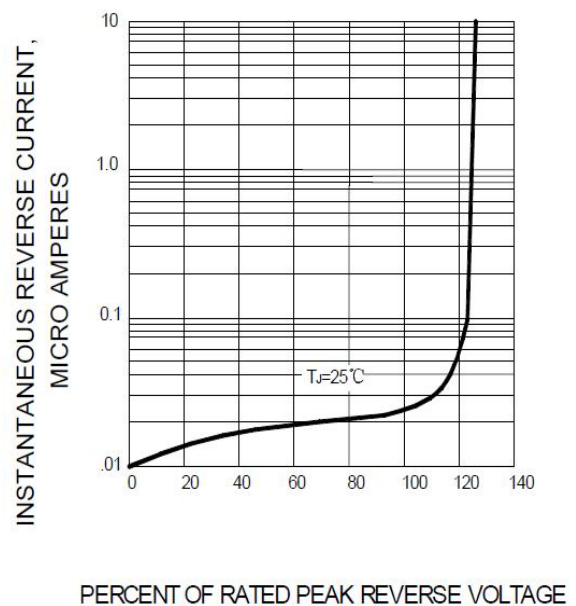


FIG.4 -- TYPICAL REVERSE CHARACTERISTIC



Note: Specifications are subject to change without notice. For more detail and update, please visit our website.