



DESCRIPTION: 2W Isolated Wide Input Single And Dual Output DC/DC Converters

TP2L series are a range of isolated 2 Watt converters in a SIP package, 2:1 wide input range(4:1 optional) and tightly regulated output voltage qualifies these converters for many cost critical applications in industrial and consumer electronics. Operating temperature ranges from -40 °C to 85 °C the Internal SMD construction makes it possible to offer a product with high performance at low cost.

FEATURES

RoHS compliant	2:1 wide range voltage input /4:1	Continuous short circuit protection
Operating temperature: -40°C to 85°C	Low regulation	1KVDC isolation/3KVDC isolation optional
Efficiency up to 83%	Power density 0.91W/cm ³	Input voltage: 5V, 12V, 24V, 48V
Output voltage: 3.3V,5V, 9V, 12V, 15V,24V / ±5V, ±9V, ±12V, ±15V,±24V	Low ripple noise	External control

SELECTION GUIDE

Part Number	Input			Voltage (VDC)	Output		Efficiency (% Typ.)
	Voltage(VDC)				Current(mA)		
	Nominal	Range	Max*		Max.	Min.	
TP2L05D05S	5 (2:1)	4.5-9.0	11	±5	±200	±20	72
TP2L05D09S	5 (2:1)	4.5-9.0	11	±9	±110	±10	72
TP2L05D12S	5 (2:1)	4.5-9.0	11	±12	±84	±8	74
TP2L05D15S	5 (2:1)	4.5-9.0	11	±15	±66	±6	73
TP2L05S05S	5 (2:1)	4.5-9.0	11	5	400	40	70
TP2L05S09S	5 (2:1)	4.5-9.0	11	9	222	22	71
TP2L05S12S	5 (2:1)	4.5-9.0	11	12	166	16	76
TP2L05S15S	5 (2:1)	4.5-9.0	11	15	134	14	75
TP2L05S24S	5 (2:1)	4.5-9.0	11	24	84	8	72
TP2L12D05S	12 (2:1)	9.0-18	22	±5	±200	±20	76
TP2L12D09S	12 (2:1)	9.0-18	22	±9	±110	±10	76
TP2L12D12S	12 (2:1)	9.0-18	22	±12	±84	±8	74
TP2L12D15S	12 (2:1)	9.0-18	22	±15	±66	±6	75
TP2L12D24S	12 (2:1)	9.0-18	22	±24	±41	±4	73
TP2L12S03S	12 (2:1)	9.0-18	22	3.3	606	60	74
TP2L12S05S	12 (2:1)	9.0-18	22	5	400	40	76
TP2L12S09S	12 (2:1)	9.0-18	22	9	222	22	78
TP2L12S12S	12 (2:1)	9.0-18	22	12	166	16	79
TP2L12S15S	12 (2:1)	9.0-18	22	15	134	14	80
TP2L12S24S	12 (2:1)	9.0-18	22	24	84	8	72
TP2L24D05S	24 (2:1)	18-36	40	±5	±200	±20	78
TP2L24D09S	24 (2:1)	18-36	40	±9	±110	±10	76
TP2L24D12S	24 (2:1)	18-36	40	±12	±84	±8	78
TP2L24D15S	24 (2:1)	18-36	40	±15	±66	±6	76
TP2L24S03S	24 (2:1)	18-36	40	3.3	606	60	72
TP2L24S05S	24 (2:1)	18-36	40	5	400	40	76
TP2L24S09S	24 (2:1)	18-36	40	9	222	22	78
TP2L24S12S	24 (2:1)	18-36	40	12	166	16	80
TP2L24S15S	24 (2:1)	18-36	40	15	134	14	80
TP2L24S24S	24 (2:1)	18-36	40	24	84	8	77
TP2L48D05S	48 (2:1)	36-72	80	±5	±200	±20	76
TP2L48D12S	48 (2:1)	36-72	80	±12	±110	±10	77
TP2L48D15S	48 (2:1)	36-72	80	±15	±84	±8	75
TP2L48S05S	48 (2:1)	36-72	80	5	400	40	76
TP2L48S09S	48 (2:1)	36-72	80	9	222	22	78
TP2L48S12S	48 (2:1)	36-72	80	12	166	16	80
TP2L48S15S	48 (2:1)	36-72	80	15	134	14	80

COMMON SPECIFICATIONS

Parameter	Conditions	Min.	Typ.	Max.	Units
Storage humidity				95	%
Operating temperature		-40		85	°C
Storage temperature		-50		125	°C
Temp.Rise at full load			185	35	°C
Lead temperature	1.5mm from case for 10 seconds			300	°C
No-load power consumption			120		mW
Cooling		Free Air Convection			
Short circuit protection		Continuous,automatic recovery			
Case material		Plastic (UL94-V0)			
MTBF		1000			K hours
Weight			5		g

ISOLATION CHARACTERISTICS

Parameter	Conditions	Min.	Typ.	Max.	Units
Isolation test voltage	Tested for 1minute and 1mA max	1500		3000	VDC
Isolation resistance	Test at 500 VDC	1			G Ω
Isolation capacitance	Input/Output,100KHZ/1V		35		

OUTPUT SPECIFICATIONS

Parameter	Conditions	Min.	Typ.	Max.	Units
Output power	Refer to product program	0.1		1	W
Output voltage accuracy	Refer to recommended circuit		±1	±3	%
Load regulation	10% to100% load (TP2L-D)		±0.5	±0.75	%
Load regulation	10% to100% load (TP2L-S)		±0.5	±1.0	%
Line regulation	Input Voltage from low to high		±0.2	±0.5	%
Temperature drift (Vout)	Refer to recommended circuit			±0.03	%/°C
Ripple & Noise	20MHZ Bandwidth		25	75	mVp-p
Switching frequency	100% load ,input voltage range		300		KHZ

All specifications typical at TA=25°C, nominal input voltage and rated output current unless otherwise specified.

APPLICATION NOTES

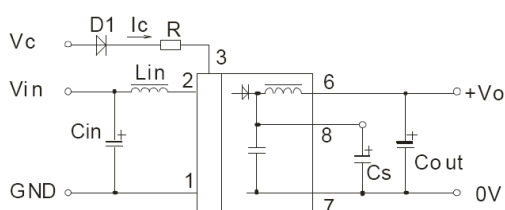
External capacitance

These converters will work without external capacitors, in order to guarantee the full parametric performance over the full line and load range we recommended you to use the value we listed at right side. All parts have been tested and characterized using the following values and test circuit.

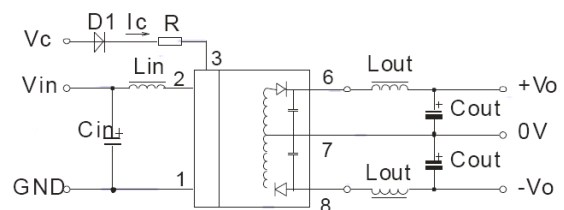
External Capacitor Table			
Single Vout (VDC)	Cout (uF)	Dual Vout (VDC)	Cout (uF)
3.3	1000	±5	330
5	680	±9	330
9	560	±12	220
12	470	±15	150
15	330	±24	100
24	220	-	-

RECOMMENDED CIRCUIT

Single Output

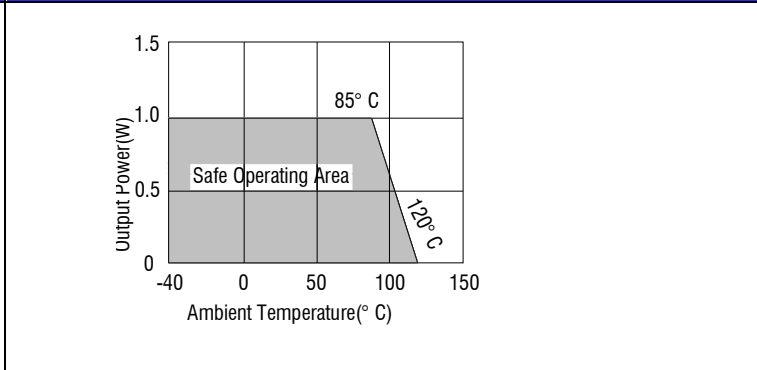


Dual Output

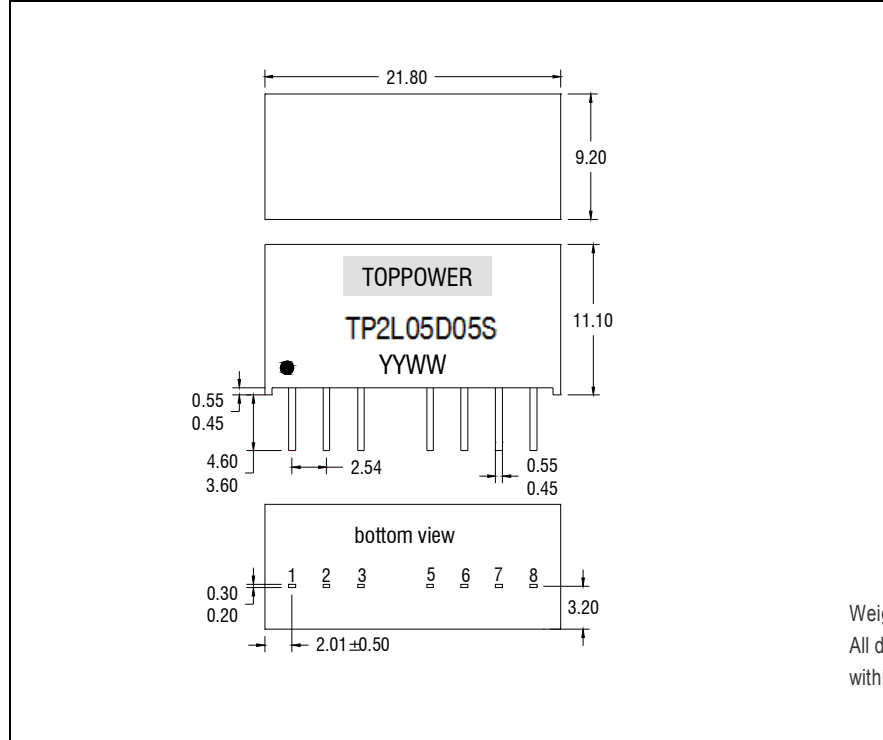


SOLDERING INFORMATION | **TEMPERATURE DERATING GRAPHS**

This series is compatible with RoHS soldering systems with a peak wave solder temperature of 300°C for 10 seconds. The series is backward compatible with Sn/Pb soldering systems.



MECHANICAL DIMENSIONS



PIN CONNECTIONS		
Pin	Single	Dual
1	GND	GND
2	Vin	Vin
3	CTRL	CTRL
5*	NC	NC
6	+V0	+V0
7	0V	0V
8	CS	-V0

*This pin must have no external connection.

Weight: 5.0g
 All dimensions in mm±0.25mm. All pins on a 2.54mm pitch and within±0.25mm of true position.

RECOMMENDED FOOTPRINT DETAILS | **TUBE OUTLINE DIMENSIONS**

