

This document, including the design, configuration and mechanical features revealed herein are the sole, confidential and proprietary property of TRU Corporation. Reproduction or use thereof, in whole or part, is prohibited without the prior written consent of TRU Corporation.

REV.	DESCRIPTION	DATE	APPROVED
-	ORIGINAL ISSUE	07/23/10	TRC

**ENGINEERING DATA**

ELECTRICAL:

FREQUENCY RANGE: DC TO 40 GHz  
 VSWR MAX: 1.15:1

MECHANICAL:

INTERFACE PER IEEE 287

MATERIAL:

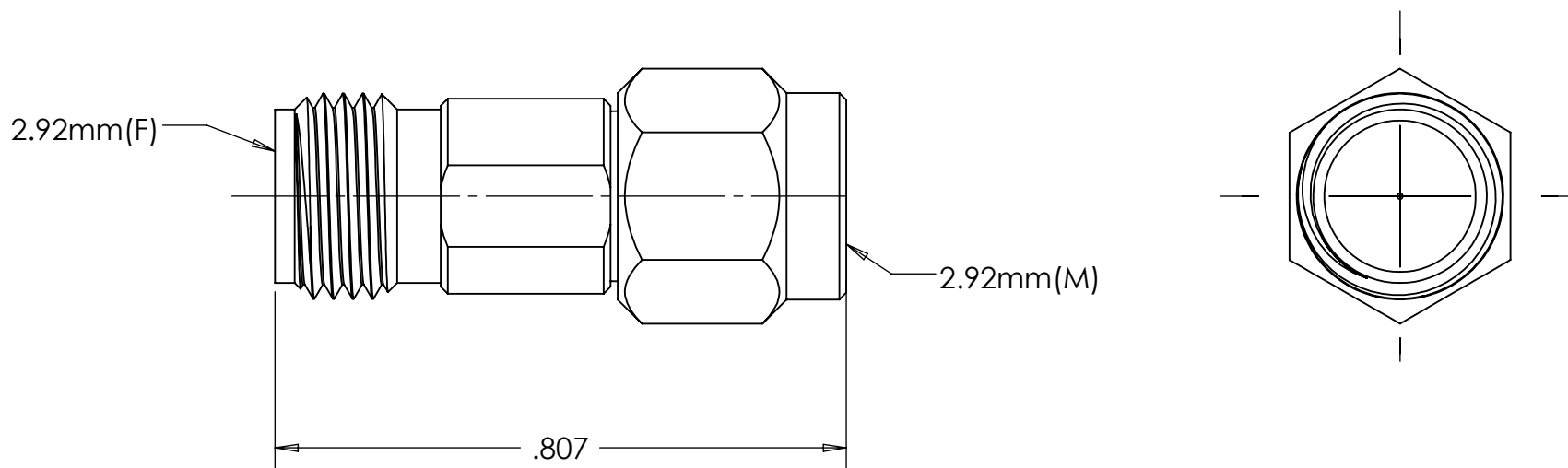
HOUSING/COUPLING NUT: STAINLESS STEEL  
 CONTACTS: BERYLLIUM COPPER  
 SUPPORT BEAD: PEI


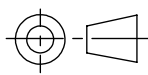
FINISH:

HOUSING/COUPLING NUT: PASSIVATED  
 CONTACTS: GOLD PLATED

NOTES:

1. ALL DIMENSIONS SHOWN ARE FOR REFERENCE ONLY.



MATERIAL	DO NOT SCALE DRAWING	DRAWN TRC	DATE 07/16/10	 <b>TRU CORPORATION</b> 245 LYNNFIELD STREET, PEABODY, MA 01960 The Custom Interconnect Leader™
	UNLESS OTHERWISE SPECIFIED: DIMENSIONS ARE IN INCHES	ENG APPR. TRC	DATE 07/21/10	
COMMENTS:	TOLERANCES: FRACTIONS: ±1/64 .XX : ±.01 .XXX: ±.005 ANGLES: ±1/2° MACHINED SURFACES: 63/√	MFG APPR. DF	DATE 07/21/10	TITLE: CONNECTOR, COAXIAL 2.92MM(M) TO 2.92MM(F) ADAPTER
		OTHER APPR. AM	DATE 07/20/10	
surface area: sq inch	weight: lbs	THIRD ANGLE PROJECTION 		SIZE <b>B</b> DWG. NO. TRU-11223    REV - CAGE CODE: 92180    SCALE: 4:1    SHEET 1 OF 1