

FEATURES

- Ultra Fast 10ns Settling Time to 0.2% (HDD-0810)
15ns Settling Time to 0.1% (HDD-1015)
- Internal Monolithic Reference
- Low 200pV-sec Glitch Energy
- Single -5.2V Power Supply
- Available Screened to MIL-STD-883
- Designed for General Output Compatibility with EIA Standards RS-170 and RS-343, including 10% Brightness Complete Composite Inputs (HDD-0810C, HDD-1015C)

APPLICATIONS

- Raster Scan and Vector Graphic Displays
- TV Video Reconstruction
- Ultra Fast Current or Voltage Output DAC for Use in Analytical Instrumentation
- Digital VCOs

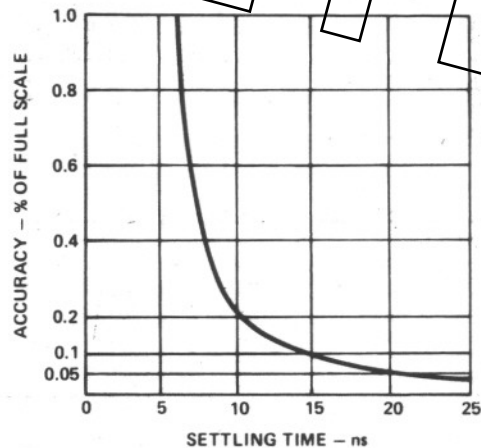
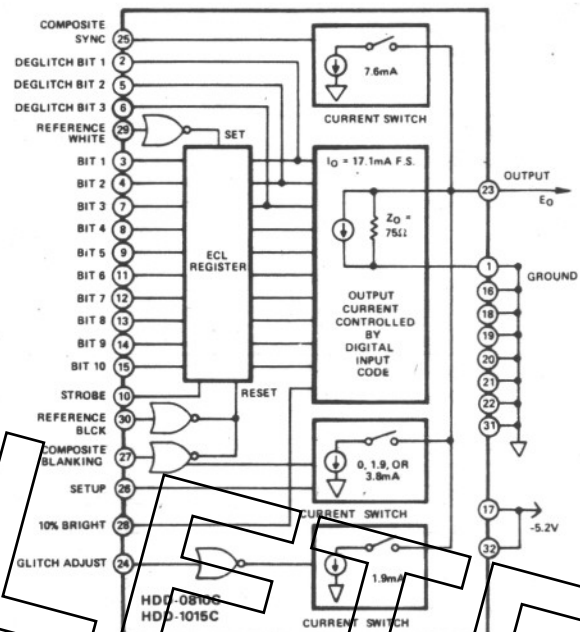
GENERAL DESCRIPTION

The HDD-0810 and HDD-1015 combine state-of-the-art technology with the latest active laser trimming techniques to achieve the world's fastest 8- and 10-bit voltage output digital-to-analog converters of their type.

Containing input registers and an ultra stable monolithic internal reference, the HDD-0810 8-bit D/A converter settles to within 0.2% in 10ns, while the 10-bit version HDD-1015 settles to within 0.1% in only 15ns. They are compatible with standard ECL logic levels. The 75Ω output impedance allows them to drive 75Ω cables or filters directly, without costly external output drivers. This feature assures that a full one volt is available at the load, since the D/A output is a minimum of 27mA (HDD-1015). Additionally, these D/As are monotonic over the full operating temperature range of -25°C to +85°C (metal case versions), or 0 to +70°C for the commercial style glass-ceramic package, and require only a single -5.2V supply for operation.

The HDD-0810C and HDD-1015C combine all of the above features with full composite input capability, which allows operation directly with raster scan/output video display systems. These controls include Composite Sync, Blanking, Setup and a 10% Brightness input which gives the user digital control of the picture's intensity. Further, the HDD Series D/A converters contain provisions for external adjustments to optimize differential phase and gain, critical considerations in composite color video applications.

HDD SERIES FUNCTIONAL BLOCK DIAGRAM



TIME IS MEASURED FROM 50% TRANSITION POINT OF THE STROBE WITH INPUT DATA LINES DESKEWED AND 75Ω LOAD. VOLTAGE OUTPUT. INHERENT DELAY OF INTERNAL REGISTER (3ns) HAS BEEN DISREGARDED.

HDD Series D/A Converters Accuracy vs. Settling Time

SPECIFICATIONS (typical @ +25°C with nominal power supplies and 75Ω output load unless otherwise noted)

MODEL	UNITS	HDD-0810	HDD-0810C	HDD-1015	HDD-1015C
RESOLUTION FS = FULL SCALE	Bits	8	8	10	10
LSB WEIGHT (Current)	μA	106	67	27	17
LSB WEIGHT (Voltage)	mV	4	2.5	1	0.625
ACCURACY ¹	±% of FS	0.1		0.05	
	±% of GS		0.1		0.05
Linearity	±μA	26.5	17	13	8.5
Monotonicity		Guaranteed	*	*	*
Zero Offset (Initial)	mV	-1.4	*	*	*
TEMPERATURE COEFFICIENTS					
Linearity	ppm/°C	5	*	*	*
Zero Offset	ppm/°C	1	*	*	*
Gain	ppm/°C	80	*	*	*
STROBE INPUT					
Logic Compatibility		ECL	*	*	*
Logic Voltage Levels "1" = (Positive Logic) "0" =	V	-0.9 -1.7	*	*	*
Logic Loading		50pF and 5kΩ to -5.2V	*	*	*
Set-Up Time (Data)	ns	2.5 min	*	*	*
Hold Time (Data)	ns	1.5 min	*	*	*
Propagation Delay	ns	3	*	*	*
REFERENCE BLACK AND REFERENCE WHITE INPUTS ²					
Logic Compatibility		See Note 2	*	*	*
Logic Voltage Levels "1" = "0" =	V	-0.9 -1.7	*	*	*
Logic Loading		50pF and 5kΩ to -5.2V	5pF and 50kΩ	50pF and 5kΩ	5pF and 50kΩ
DATA INPUTS					
Logic Compatibility		ECL	*	*	*
Logic Voltage Levels "1" = (Positive Logic) "0" =	V	-0.9 -1.7	*	*	*
Logic Loading (Each Bit)		5pF and 50kΩ to -5.2V	*	*	*
Coding (See Table)		Complementary Binary (CBN)	*	*	*
COMPOSITE SYNC INPUT					
Logic Compatibility		N/A	ECL	N/A	ECL
Logic Voltage Levels "1" = "0" =	V	N/A	-0.9 -1.7	N/A	-0.9 -1.7
Logic Loading for Logic "1" Logic "0"		N/A	5pF, +7.6mA 5pF, -50μA	N/A	5pF, +7.6mA 5pF, -50μA
COMPOSITE BLANKING AND 10% BRIGHT INPUTS					
Logic Compatibility		N/A	ECL	N/A	ECL
Logic Voltage Levels "1" "0"	V	N/A	-0.9 -1.7	N/A	-0.9 -1.7
Logic Loading		N/A	5pF and 50kΩ to -5.2V	N/A	5pF and 50kΩ to -5.2V
SETUP CONTROL					
Ground	mV	0 (0 IRE Units)	*	*	*
Open	mV	71 (10 IRE Units)	*	*	*
-5.2V	mV	142 (20 IRE Units)	*	*	*
OUTPUT ³					
Current	mA	0 to -27.2	0 to -17	0 to -27.3	0 to -17.05
Voltage ⁴	V (±1%)	0 to -1.020	0 to -0.6375	0 to -1.023	0 to -0.639375
Compliance	V	+1.1 to -1.1	*	*	*
Internal Impedance	Ω (±5%)	75	*	*	*
OUTPUT - COMPOSITE SYNC					
Current	mA (±5%)	N/A	0 or -7.6	N/A	0 or -7.6
Voltage	mV (±5%)	N/A	0 or -286	N/A	0 or -286
OUTPUT - 10% BRIGHT					
Current	mA (±5%)	N/A	0 or -1.9	N/A	0 or -1.9
Voltage	mV (±5%)	N/A	0 or -71	N/A	0 or -71
OUTPUT - COMPOSITE BLANKING ⁵					
Current	mA (±1%)	N/A	0, -17.0, -18.9, or -20.8	N/A	0, -17.05, -18.95, or -20.85
Voltage	mV (±1%)	N/A	0, -637.5, -708.75 or -780	N/A	0, -639.4, -710.6, or -781.9

MODEL	UNITS	HDD-0810	HDD-0810C	HDD-1015	HDD-1015C
SPEED PERFORMANCE – FULL SCALE OR GRAY SCALE OUTPUT					
Settling Time (Voltage) ⁶	ns (to % FS) or (to % GS)	10 (0.2)	10 (0.2)	15 (0.1)	15 (0.1)
Slew Rate	V/μs	200	*	*	*
Update Rate ⁷	MHz	100	100	67	67
Rise Time	ns	4	*	*	*
Glitch Energy ⁸	pV-s	200	*	*	*
SPEED PERFORMANCE – CONTROL INPUTS					
Settling Time to 10% of Final Value for:					
Composite Sync	ns	N/A	10	N/A	10
Composite Blanking	ns	N/A	10	N/A	10
Reference White	ns	N/A	10	N/A	10
Reference Black	ns	N/A	10	N/A	10
10% Bright	ns	N/A	10	N/A	10
POWER REQUIREMENTS					
-5.2V ±0.25V	mA	380	390	450	450
Power Supply Sensitivity	%/%	0.04/1	*	*	*
Reference		Monolithic, Internal	*	*	*
TEMPERATURE RANGE					
Operating, Glass Case	°C Case	0 to +70	*	*	*
Operating, Metal Case ("M")	°C Case	-25 to +85	*	*	*
Storage	°C	-55 to +125	*	*	*
MTBF⁹					
Mean Time Between Failure	hours	>300,000			
PACKAGE OPTIONS¹⁰					
		HY32A		HY32C	

NOTES

- ¹ Accuracy is relative to full scale (FS) for binary versions, or relative to gray scale (GS) for Composite ("C") versions, and includes linearity.
 - ² Reference White on models HDD-0810, -1015 a logic "1" on Pin 30 Reference Black will produce all "0" code 0 volts output; a logic "1" on Pin 29 Reference White will produce all "1" code -1 volt output.
 - On models HDD-0810C, 1015C a logic "0" on Pin 30 Reference Black will produce all "1" code 0 volts output; a logic "0" on Pin 29 Reference White will produce all "0" code -1 volt output.
 - ³ The output is shown for full scale (FS) for binary versions, and for full gray scale (GS) for Composite ("C") versions.
 - ⁴ The difference between the full-scale output of 637.5mV and 643mV shown elsewhere herein is due to the fact that we selected an LSB value of 2.5mV for ease of calibration. These differences are well within the output and EIA standard RS-170 tolerances.
 - ⁵ The three currents and voltages correspond to the three set-up levels of 0, 10, and 20 IRE units as externally selected.
 - ⁶ Worst case settling time includes FS and most significant bit (MSB) transitions. The inherent 3ns proposition delay through the input registers (50% point of Strobe to 50% point of register output) has been disregarded. Settling time to a percentage of FS is given for straight versions, and settling time to a percentage of maximum gray scale (GS) is given for composite video output ("C") versions.
 - ⁷ The update rates shown are limited by a full scale settling time that is useable for the number of bits of resolution. Both DACs may be operated up to 125MHz with settling time degradation. This is the limit of the logic switching speed.
 - ⁸ Reducible to less than 100pV-s with appropriate deskewing of digital inputs. See Applications Section.
 - ⁹ Calculated for HDD-1015CMB using MIL Handbook 217. Ground: Fixed Temperature Case = 60°C.
 - ¹⁰ See Section 19 for package outline information.
- *Specifications same as for HDD-0810.
Specifications subject to change without notice.

ORDERING NOTE

1. To order devices with hermetically sealed metal cases, add "M" suffix to part number.
Example: HDD-0810CMB

PIN DESIGNATIONS

PIN	FUNCTION
1	GROUND
2	DEGLITCH BIT 1
3	BIT 1 (MSB)
4	BIT 2
5	DEGLITCH BIT 2
6	DEGLITCH BIT 3
7	BIT 3
8	BIT 4
9	BIT 5
10	STROBE
11	BIT 6
12	BIT 7
13	BIT 8
14	BIT 9
15	BIT 10 (LSB)
16	GROUND
17	-5.2V
18	GROUND
19	GROUND
20	GROUND
21	GROUND
22	GROUND
23	OUTPUT
24	GLITCH ADJUST
25	COMPOSITE SYNC
26	SETUP
27	COMPOSITE BLANKING
28	10% BRIGHT
29	REFERENCE WHITE
30	REFERENCE BLACK
31	GROUND
32	-5.2V

ON THE HDD-0810 AND HDD-0810C, PINS 14 AND 15 ARE NOT USED, AND PIN 13 IS THE LSB. ON THE HDD-0810 AND HDD-1015, PINS 25, 27, AND 28 ARE NOT USED. ALL GROUND PINS (1, 16, 18-22, 31) ARE CONNECTED INTERNALLY.

APPLICATIONS INFORMATION

HIGH-SPEED LOW-GLITCH OPERATION SUGGESTIONS

The HDD Series D/As offer the highest available speed. However, with this speed performance, certain precautions and operation conditions should be considered.

1. The D/A converter should be provided with a very low impedance grounding system to very high frequencies. A large ground plane is a must.
2. Low frequency bypassing should be provided with a $1\mu\text{F}$ (or larger) tantalum capacitor mounted between the -5.2V supply line and ground near the D/A.
3. High frequency bypassing should be provided by ceramic capacitors of $0.1\mu\text{F}$ or larger mounted within 0.25 inches of Pins 17 and 32 to ground (see Figure 1).
4. The threshold of the internal current switches can be optimized for low glitch energy by the addition of an external potentiometer connected to Pin 24 of the D/A (see Figure 1). This potentiometer is adjusted for minimum glitch energy as shown in Photo 2.

If required, variable capacitors can be added to "deskew" the most significant bits for lowest glitch—although this is not usually required in many applications. These capacitors are added as shown in Figure 1 (C1-3). They are adjusted in conjunction with the glitch adjust pot for minimum glitch energy as shown in Photo 2.

In composite television applications, C1-3 are adjusted for best differential phase performance, and the glitch adjust is adjusted for best differential gain performance. These may tend to interact, so going back and forth between adjustments may be required.

5. Standard 32-pin sockets should be avoided. Individual "pin sockets" are most suited for evaluating devices, as lead inductance is reduced. In final designs, the D/As should be soldered directly into the printed circuit board without sockets.

GAIN ADJUSTMENT

The HDD Series D/As are actively laser-trimmed to provide a voltage into exactly 75Ω which is an even binary multiple; i.e., the HDD-0810 has an LSB of 4mV and the HDD-1015 has an LSB of 1mV . This makes the full-scale output slightly greater than one volt. If an output of exactly one volt is required—such as for TV reconstruction—a 2k potentiometer may be placed across the output of the D/A for gain adjustment. For a one volt output, the adjusted value of this pot will be about 1500Ω (see Figures 1 and 5).

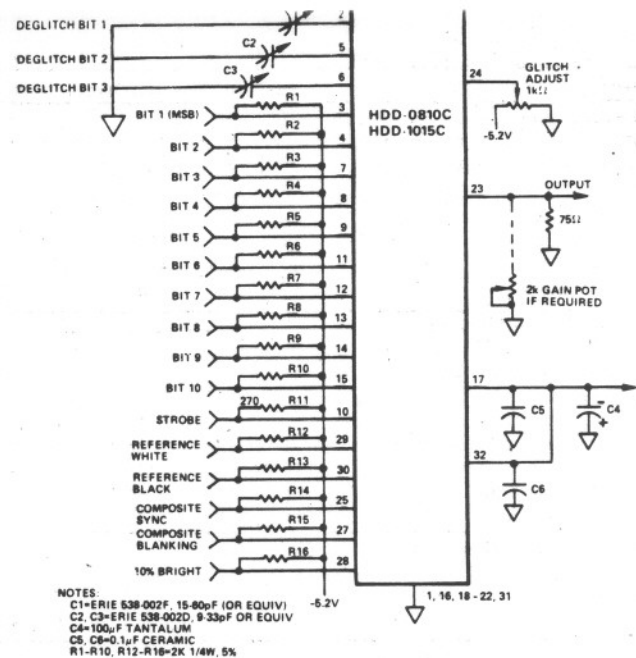


Figure 1. HDD-0810, HDD-1015C Typical Hook-Up Circuit

ULTRA-LOW GLITCH OPERATION

For extremely low glitch requirements ($<50 - 100\text{pV}\cdot\text{s}$), an HTS-0025 Track-and-Hold is recommended as a deglitcher (see Figure 2). The duration of the HDD Series D/A glitch is approximately 10ns. The hold time of the HTS-0025 should be at least 15ns to "mask out" the glitch. The minimum acquisition time of the HTS-0025 for 0.1% accuracy is 30ns. This implies that the circuit of Figure 2 can be operated up to 22MHz and still maintain 10-bit accuracy. For 0.2% accuracy, the acquisition time for the T&H can be reduced to 25ns, allowing the circuit to operate to 25MHz. This discussion assumes that the D/A will be required to slew full scale (one volt) between adjacent samples. In practice, the sample-to-sample variation is less than full scale depending on the amount of oversampling. In a practical situation, therefore, 10-bit accuracy should be achievable at 25MHz update rates.

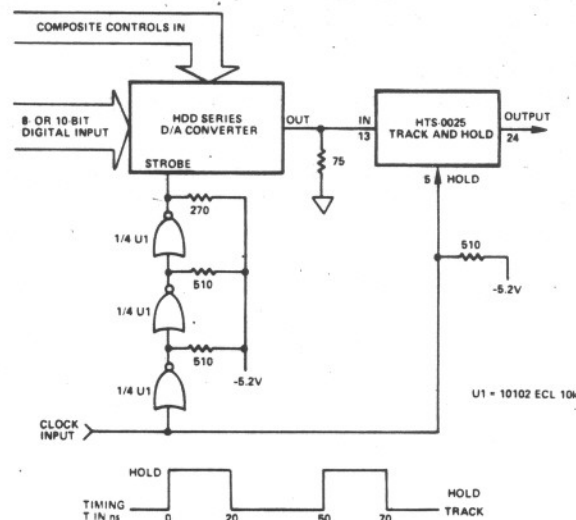


Figure 2. HTS-0025 Track and Hold Used as a Deglitcher (Update $\approx 20\text{MHz}$)

CHARACTERISTICS OF HDD-1015C [0810C] VIDEO DACS

COMPOSITE VIDEO SIGNAL

1024 [256] gray levels plus blanking and sync levels

STEP SIZE

0.625mV [2.5mV]

GRAY SCALE RANGE

0.643V Peak to Peak

SETUP CONTROL

User programmable in three levels

	mV	IRE Units
1. Input Grounded	0	0
2. Input Open	71	10
3. Input @ -5.2V	142	20

REFERENCE WHITE LEVEL

0V Absolute

100 IRE Units (+0.714V relative to blanking level with standard setup; +0.643V relative to Reference Black)

DIGITAL INPUT FOR WHITE LEVEL

All ones (11111111)

REFERENCE WHITE/BLACK CONTROL¹

Overrides Video Input Word

A logic 0 on Pin 30 (reference Black) will drive the output to reference black level of -0.643mV.

A logic 0 on Pin 29 (Reference White) will drive the output to reference white level of 0 volts absolute.

REFERENCE BLACK LEVEL

-0.643V Absolute; +71mV (10 IRE Units)

Relative to blanking level with standard setup.

DIGITAL INPUT FOR REFERENCE BLACK

All zeroes (000000000)

COMPOSITE BLANKING LEVEL

-0.714V Absolute, (0 IRE Units) with standard setup.

COMPOSITE BLANKING INPUT - PIN 27¹

Logic 0 on Pin 27 resets input register to 000000000, and causes output voltage to go negative by the amount of setup voltage with respect to the all "0" output voltage.

COMPOSITE SYNC LEVEL

-1.0V Absolute with standard setup.

-0.286V (-40 IRE Units) relative to blanking level (Back Porch).

COMPOSITE SYNC INPUT - PIN 25

Logic 0 resets input register to 000000000, and the output voltage goes negative by 0.286V.

10% BRIGHT - PIN 28

Logic "0" causes output voltage to go positive by 71mV.

STROBE - PIN 10

Logic "0" to Logic "1" transition clocks input register.

DEFINITION OF VIDEO TERMS

BLANKING LEVEL

The level separating the SYNC portion from the Video portion of the waveform. Usually referred to as the Front Porch or Back Porch. At 0 IRE Units, it is the level which will shut off the picture tube, resulting in the blackest possible picture.

COLOR VIDEO (RGB)

This usually refers to the technique of combining the three primary colors of Red, Green, and Blue to produce color pictures within the usual spectrum. In RGB monitors, three HDD "C" Series DACs would be required, one for each color.

COMPOSITE SYNC SIGNAL (SYNC)

The position of the composite video signal which synchronizes the scanning process.

COMPOSITE VIDEO SIGNAL

The video signal with or without setup, plus the composite SYNC signal.

GRAY SCALE

The discrete levels of video signal between Reference Black and Reference White levels. A 10-bit DAC contains 1,024 different levels, while an 8-bit DAC contains 256.

RASTER SCAN

The most basic method of sweeping a CRT one line at a time to generate and display images. This method is used in commercial television in the USA.

REFERENCE BLACK LEVEL

The maximum negative polarity amplitude of the video signal.

REFERENCE WHITE LEVEL

The maximum positive polarity amplitude of the video signal.

SETUP

The difference between the Reference Black level and the blanking level. This should not be confused with setup as used with digital logic.

SYNC LEVEL

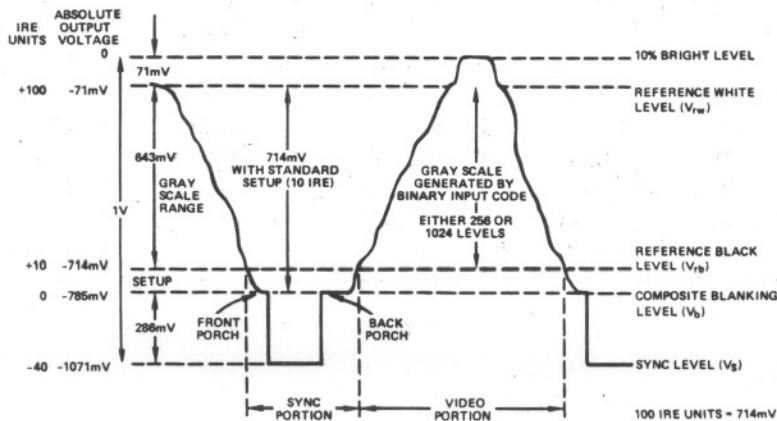
The peak level of the composite SYNC signal.

VIDEO SIGNAL

That portion of the composite video signal which varies in gray scale levels between Reference White and Reference Black. Also referred to as the picture signal, this is the portion which may be visually observed.

NOTE

¹ Reference White (Pin 29) should not be activated at the same time as composite blanking (Pin 27) or Reference Black (Pin 30).



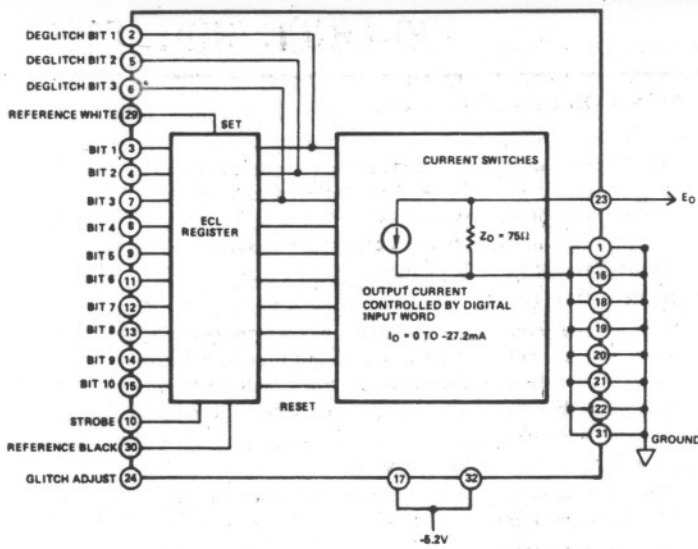


Figure 4. HDD-0810; HDD-1015 Block Diagram

OUTPUT: 0.2V/DIV

STROBE: 0.5V/DIV

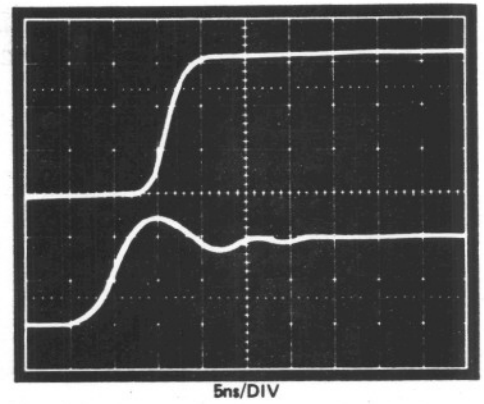
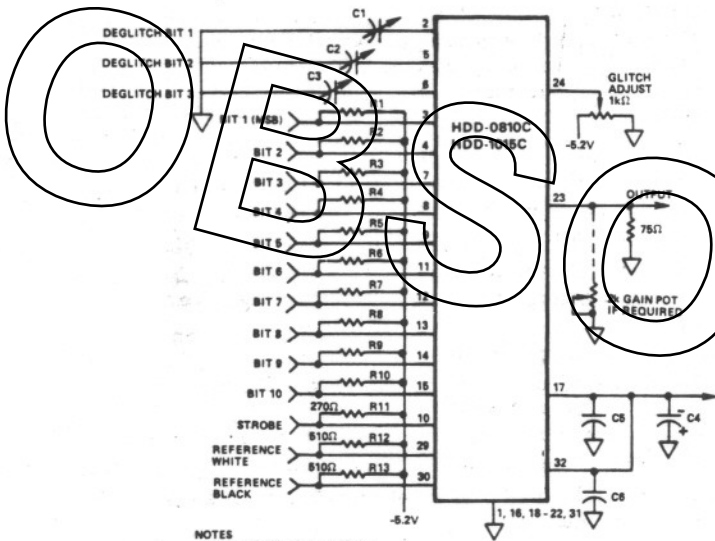


Photo 1. Full Scale Rise Time vs. Strobe



NOTES
 C1 = ERIE 538-002F, 15-50pF
 C2, C3 = ERIE 538-002D, 9-36pF
 C4 = 100μF TANTALUM
 C5, C6 = 0.1μF CERAMIC
 R1-R10 = 2k
 OMIT R12 & R13 IF REFERENCE
 WHITE AND REFERENCE BLACK
 ARE NOT USED

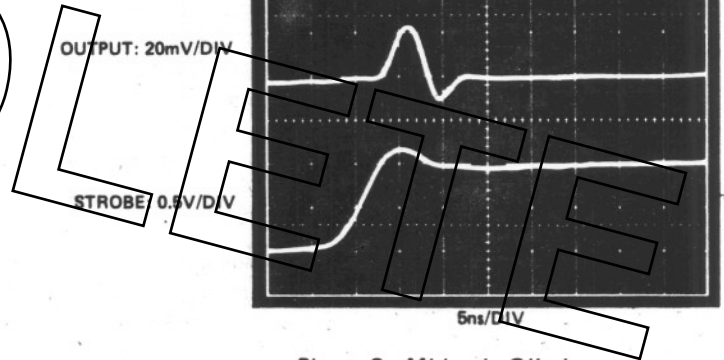


Photo 2. Midscale Glitch

HDD-0810C, HDD-1015C Output Waveform

Figure 5. HDD-0810, HDD-1015 Typical Hook-Up Circuit

ANALOG OUTPUT WITH 75Ω LOAD

Digital Input	HDD-0810	HDD-0810C	HDD-1015	HDD-1015C
111 ... 111	0	0	0	0
111 ... 110	-4mV	-2.5mV	-1mV	-0.625mV
110 ... 000	-252mV	-157.5mV	-255mV	-159.375mV
101 ... 111	-256mV	-160mV	-256mV	-160mV
100 ... 111	-508mV	-317.5mV	-511mV	-319.375mV
011 ... 111	-512mV	-320mV	-512mV	-320mV
010 ... 000	-764mV	-477.5mV	-767mV	-479.375mV
001 ... 111	-768mV	-480mV	-768mV	-480mV
000 ... 001	-1016mV	-635mV	-1022mV	-638.75mV
000 ... 000	-1020mV	-637.5mV	-1023mV	-639.375mV

Coding Table