

6

5

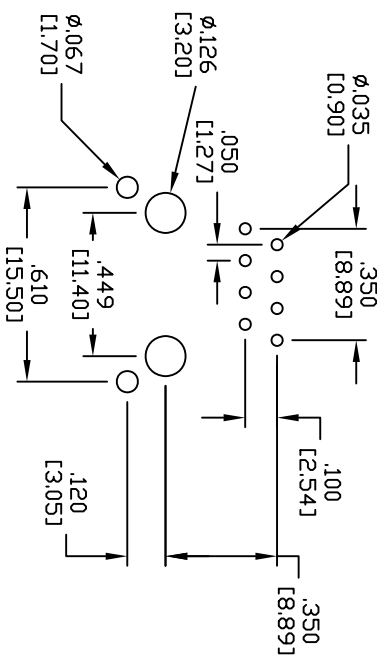
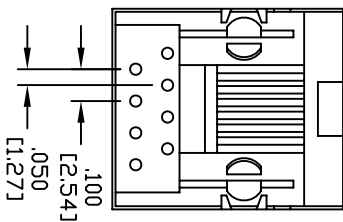
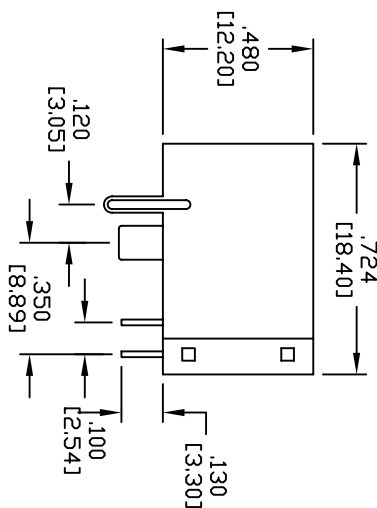
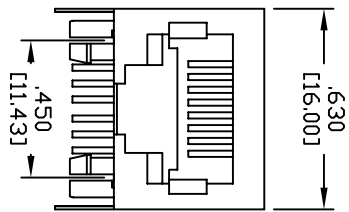
4

3

2

1

APPROVED: \_\_\_\_\_  
DATE: \_\_\_\_\_ TITLE: \_\_\_\_\_



X	PLATING
0	15 µin Gold
1	30 µin Gold
2	50 µin Gold

**SPECIFICATIONS:**

**Material:**  
 Insulator: PBT, rated UL 94V-0  
 Insulator color: Black  
 Contacts: Phosphor Bronze  
 Shield: Phosphor Bronze, Tin plated  
**Plating:**  
 Gold Flash over Nickel underplate overall, Tin over  
 Copper underplate on PCB tails  
 See chart for Thickness

**Electrical:**

Operating voltage: 150 VAC max  
 Current rating: 1.5 Amps max  
 Contact resistance: 20 mohms max  
 Insulation resistance: 500 Mohms min @ 500 VDC  
 Dielectric withstanding voltage: 1000 VAC for 1 minute  
 Temperature Rating:  
 Operating temperature: -40°C to +125°C

**Environmental:**

Lead free, RoHS compliant.  
 Recommended soldering temp: 235°C for 5 sec.



Rev	AWO #	Description	Date	Appr
-		RELEASED	4/20/06	
A		REVISED DIM.	6/24/08	

# ADAM TECH

909 Rahway Avenue, Union, NJ 07083  
 Phone: 908-687-5000 Fax: 908-687-5710

**MODULAR TELEPHONE JACK, 8P8C  
 RIGHT ANGLE, SHIELDED**

UNLESS OTHERWISE SPECIFIED ALL DIMENSIONS ARE INCHES [MM]	
TOLERANCES: EXCEPT AS NOTED	
INCHES	HOLDS
.X ± .10	ØX ± .10
.XX ± .020	ØXXX ± .015
.XXX ± .015	ØXXX ± .010
APPROVALS	DATE
DRAWN LFI	4/20/06
CHECKED	
APPROVED	

SIZE	PART NO.	REV.
X	MTJ-88WX1-FSE	A
REF:	SCALE: NTS	SHEET 1 OF 1

6

5

4

3

2

1