

TDMA-Based 3-Player Remote Controller

Features

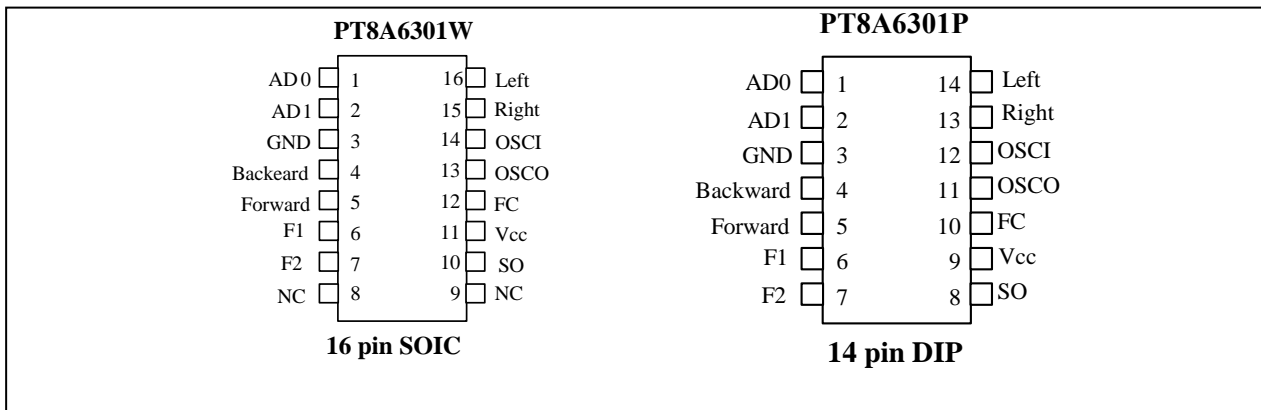
- The PT8A6301 works as the encoder and the PT8A6311 works as the decoder
- Supports three players in the same RF frequency
- CRC check
- On-chip oscillator with external ceramic crystal (6301) and external RC (6311)
- Provide clock output 125kHz
- Internal pull-up resistors for functional input pins
- Very low power supply voltage: 1.0V to 2.6V for PT8A6311
- Few external components needed

Description

The PT8A6301/PT8A6311 provides a simple solution for three transmitters controlling three RC cars in TDMA mode. When 3 controllers transmit code signals, signal occurrence of the 3 players are interlaced in most time because space of adjacent 2 frames is different in 3 transmitters. In Rx section, each PT8A6311 can distinguish its own code signal according to channel ID. Finally the effective codes will be decoded and FORWARD, BACKWARD, RIGHT, LEFT, F1, F2 signals are sent out to drive external device. Additionally the PT8A6311 provides clock output for DC/DC or other function.

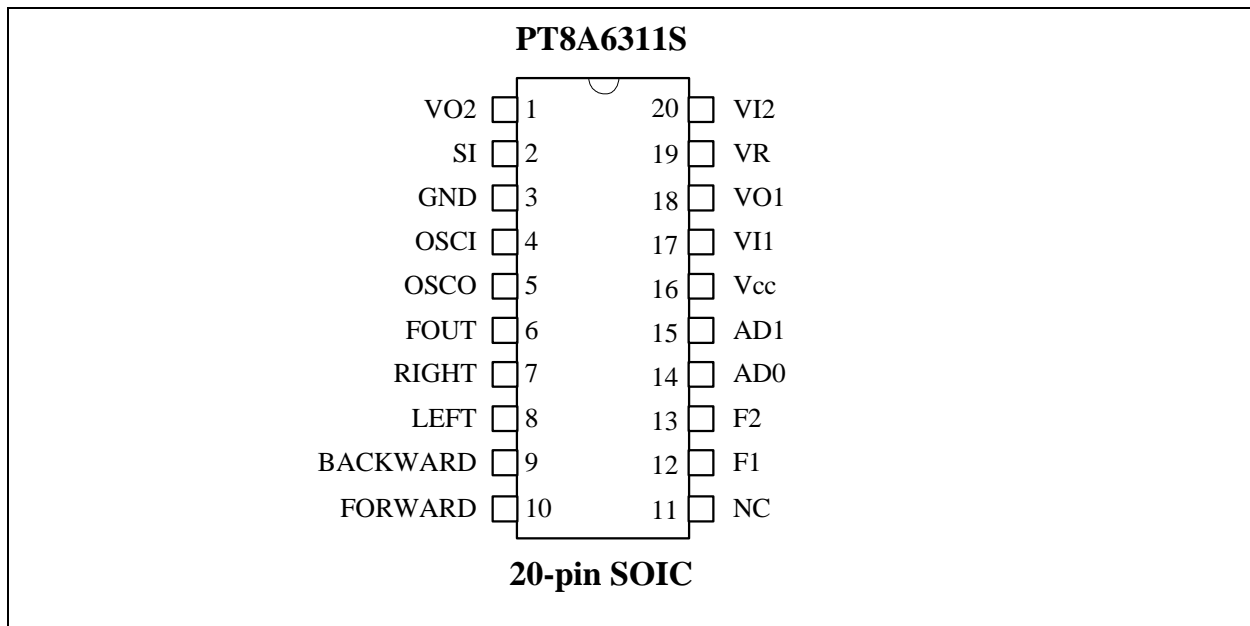
Pin Information

Pin configuration of PT8A6301



Pin Description of PT8A6301

Name	Type	Description
AD0, AD1	I	Address pins: the two pins decide which channel will be selected, they are internally pulled down.
GND	GND	Ground
Backward	I	Backward function input, low active
Forward	I	Forward function input, low active
F1	I	Function 1 input, low active
F2	I	Function 2 input, low active
SO	O	Output pin of the encoding signal
Vcc	P	Power supply
FC	O	Turn on/off 27MHz OSC
OSCO	O	Oscillator output pin
OSCI	I	Oscillator input pin
Right	I	Right function input, low active
Left	I	Left function input, low active
NC	-	No connection

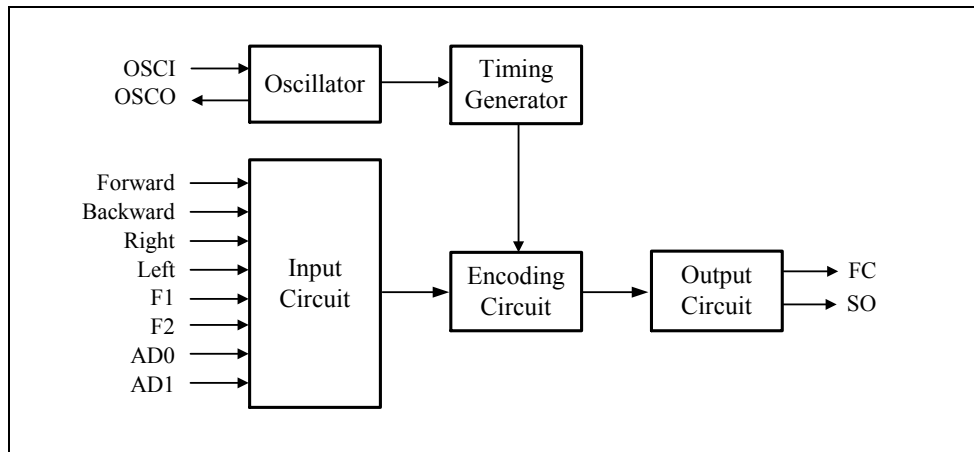
Pin configuration of PT8A6311


Pin configuration of PT8A6311

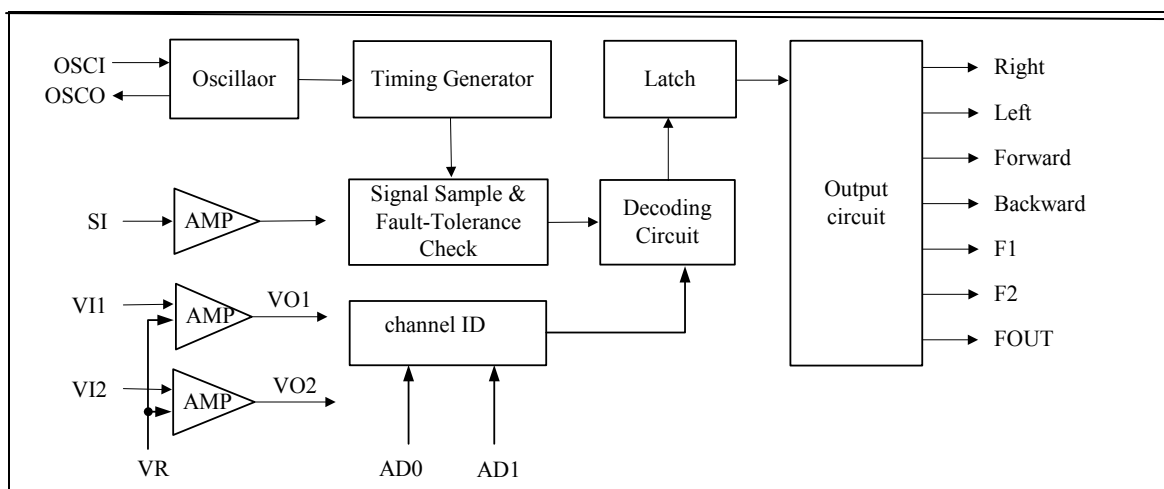
Pin No.	Name	Type	Description
1	VO2	O	Output pins for the amplifier 2
2	SI	I	Input pin for encoded signal
3	GND	GND	Ground, bonded together
4	OSCI	I	Oscillator input pin
5	OSCO	O	Oscillator output pin
6	FOUT	O	Clock output, 125kHz square-wave output, 50% duty cycle
7	Right	O	Rightward output pin, active high
8	Left	O	Leftward output pin, active high
9	Backward	O	Backward output pin, active low
10	Forward	O	Forward output pin, active low
11	NC	-	No connection
12	F1	O	F1 function output pin, active high
13	F2	O	F2 function output pin, active high
14, 15	AD0, AD1	I	Address pins: the two pins decide which channel will be selected, they are internally pulled up.
16	Vcc	P	Power supply, bonded together
17	VI1	I	Input pins of amplifiers 1
18	VO1	O	Output pins for the amplifier 1
19	VR	I	DC offset input of input terminal for amplifier 1 and amplifier 2
20	VI2	I	Input pins of amplifiers 2

Block Diagram

Block diagram of PT8A6301

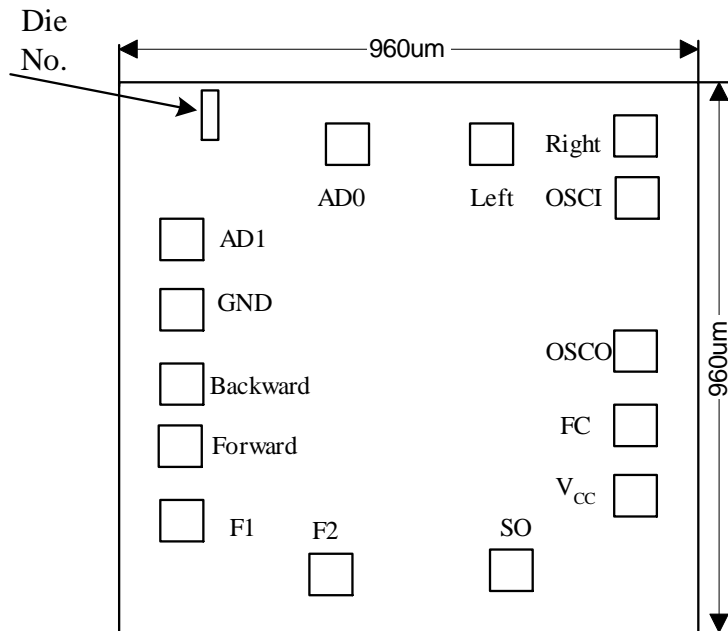


Block diagram of PT8A6301



Pad Location

Pad Location of PT8A6301

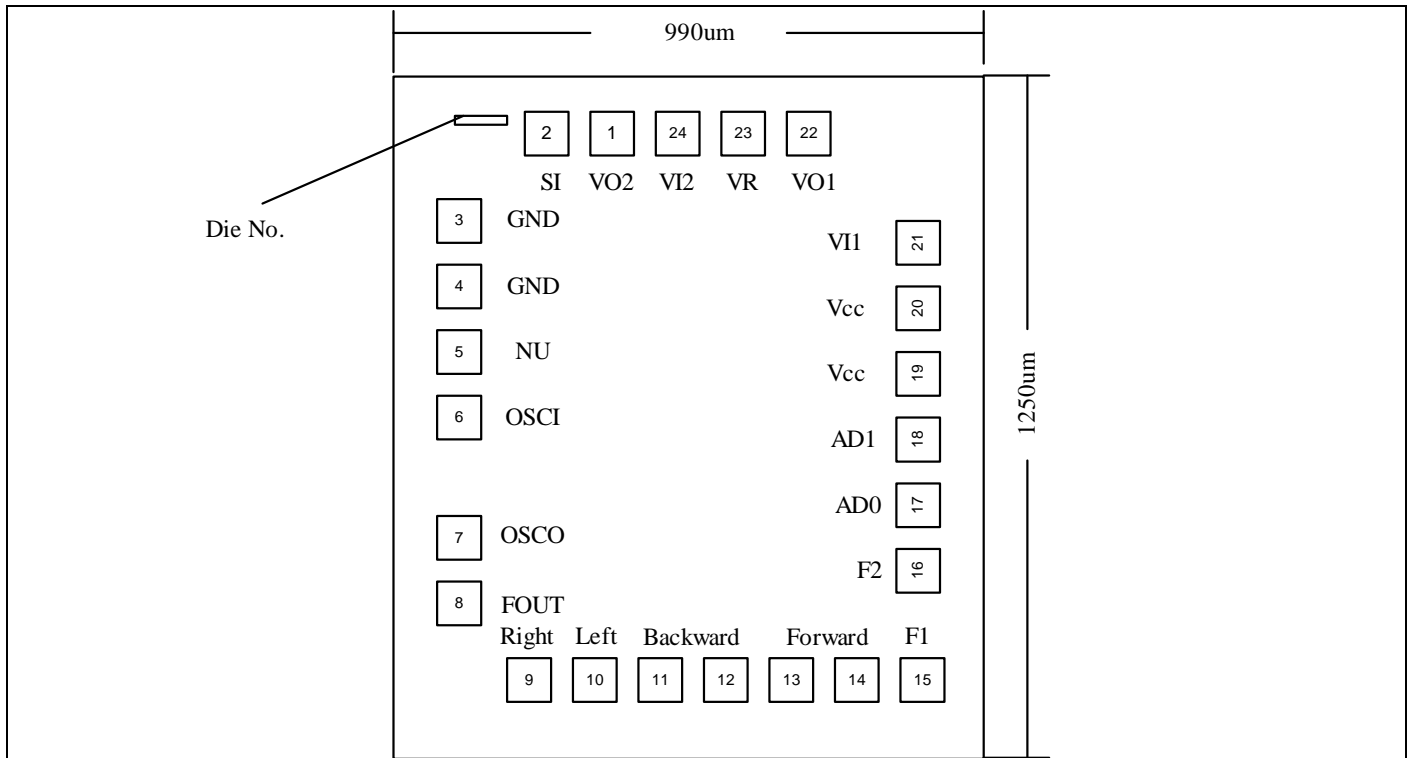


Pad Coordinate

Pad Name	X Coordinate	Y Coordinate	Pad Name	X Coordinate	Y Coordinate
AD0	-168.8	360.7	SO	150.8	-360.7
AD1	-331.8	201.7	V _{cc}	331.8	-225.4
GND	-331.8	101.7	FC	331.8	-121.6
Backward	-331.8	0.3	OSCO	331.8	-21.6
Forward	-331.8	-103.5	OSCI	331.8	256.5
F1	-331.8	-203.5	Right	331.8	360.7
F2	-86.6	-360.7	Left	68.6	360.7

Note: Substrate is connected to GND

Pad Location of PT8A6311



Pad Coordinate							
Pad No.	Pad Name	X Coordinate	Y Coordinate	Pad No.	Pad Name	X Coordinate	Y Coordinate
1	VO2	-90.2	480.5	13	Forward	151.8	-480.5
2	SI	-193.6	480.5	14	Forward	251.8	-480.5
3	GND	-348.5	389.2	15	F1	355.6	-480.5
4	GND	-348.5	289.2	16	F2	348.5	-261.2
5	NU	-348.5	186.5	17	AD0	348.5	-157
6	OSCI	-348.5	86.5	18	AD1	348.5	-57
7	OSCO	-348.5	-174	19	Vcc	348.5	46.4
8	FOUT	-348.5	-274	20	Vcc	348.5	146.4
9	Right	-255.8	-480.5	21	VI1	348.5	250.2
10	Left	-155.8	-480.5	22	VO1	217.4	480.5
11	Backward	-52	-480.5	23	VR	113.6	480.5
12	Backward	48	-480.5	24	VI2	13.6	480.5

Note: Substrate is connected to GND

Maximum Ratings

Storage Temperature.....	-25 °C to +85 °C
Ambient Temperature with Power Applied.....	0°C to +70°C
Supply Voltage to Ground Potential (Inputs & V _{CC} Only).....	-0.5 to +5.5V
Supply Voltage to Ground Potential (Outputs & D/O Only).....	-0.5 to +5.5V
DC Input Voltage.....	-0.5 to +5.5V
DC Output Current	30mA
Power Dissipation	500mW

Note:

Stresses greater than those listed under MAXIMUM RATINGS may cause permanent damage to the device. This is a stress rating only and functional operation of the device at these or any other conditions above those indicated in the operational sections of this specification is not implied. Exposure to absolute maximum rating conditions for extended periods may affect reliability.

Recommended operation conditions

Sym	Parameter	Min	Typ	Max	Unit
V _{CC}	Supply Voltage for PT8A6301	2.0	3.0	5.0	V
	Supply Voltage for PT8A6311	1.0	1.2	2.6	V
V _{IH}	Input HIGH Voltage	0.7V _{CC}	-	-	V
V _{IL}	Input LOW Voltage	-	-	0.3V _{CC}	V
f _{OSC}	Oscillator Frequency (PT8A6301)	-	1	-	MHz
	Oscillator Frequency (PT8A6311)	-	125	-	MHz
T _A	Operating temperature	0	-	70	°C

DC Electrical Characteristics

DC Electrical Characteristics of PT8A6301

Sym	Description	Test Conditions	Min	Typ	Max	Unit
V _{CC}	Supply Voltage	-	2.0	3.0	5.0	V
I _{CC}	Supply current	Oscillator work, No load	-	400	500	μA
I _{OH}	Output HIGH Current – SO, FC	V _{CC} =2V, V _{OUT} =V _{CC} -0.5V	-3	-5	-	mA
I _{OL}	Output LOW Current – SO, FC	V _{CC} =2V, V _{OUT} = 0.5V	2	3	-	mA
I _{IH}	Input HIGH Current – Function Input Pins	V _{IN} =V _{CC}	-	-	1	μA
I _{IL}	Input LOW Current – Function Input Pins	V _{IN} = 0V	-5	-15	-30	μA
I _{IH1}	Input HIGH Current – AD0, AD1	V _{IN} =V _{CC}	5	15	30	μA
I _{IL1}	Input LOW Current – AD0, AD1	V _{IN} = 0V	-	-	-1	μA

Note: These specification apply for V_{CC}=3.0V and T_A=0 °C to 70 °C, unless otherwise specified

DC Electrical Characteristics of PT8A6311

Sym	Description	Test Conditions	Min	Typ	Max	Unit
V _{CC}	Supply Voltage	-	1.0	1.2	2.6	V
I _{CC}	Supply current	Note 2	-	0.3	3.0	mA
I _{IL}	Input Low Current for logic input pins	V _{in} = 0	-	-10		μA
I _{IH}	Input High Current for logic input pins	V _{in} = V _{CC}	-	-	1	μA
I _{OH1}	Output High Current1 for FORWARD and BACKWARD pins	V _{out} =V _{CC} -0.2V	-150	-	-	μA
I _{OL1}	Output Low Current1 for FORWARD and BACKWARD pins	V _{out} =0.2V	4	-	-	mA
I _{OH2}	Output High Current2 for LEFT ,RIGHT, F1 and F2 pins	V _{CC} =1.0V, V _{out} =V _{CC} -0.2V	-800	-	-	μA
I _{OL2}	Output Low Current3 for LEFT ,RIGHT, F1 and F2 pins	V _{out} =0.2V	150	600	-	μA
I _{OH3}	Output High Current3 for FOUT	V _{CC} =1.0V, V _{out} =V _{CC} -0.2V	-800	-	-	μA
I _{OL3}	Output Low Current3 for FOUT	V _{out} =0.2V	800	-	-	μA
V _{OFF}	Amplifier input offset voltage	V _{CC} =1.0v		-	20	mv

Note:

1. Test conditions V_{cc}=1.0-2.6V and T_A=0 °C to 70 °C, unless otherwise specified
2. Feedback resistors for the two reversing amplifiers is 2.2MW and oscillator frequency is 125kHz.

AC Electrical Characteristics

Sym	Description	Test Conditions	Min	Typ	Max	Unit
f _{OSC}	Oscillator frequency for PT8A6301	-	-	1	-	MHz
T _d	Oscillator frequency for PT8A6311	-	118	125	132	KHz
	The delay time between FC and SO(PT8T6301)	OSC frequency=1MHz	-	6	-	ms
T _{AS}	Auto-Stop Time*(PT8T6311)	OSC frequency=125kHz	-	800	-	ms
V _{SI}	SI Pin Receive Sensitivity(PT8T6311)	Guaranteed effective decoding	40	-	100	mV

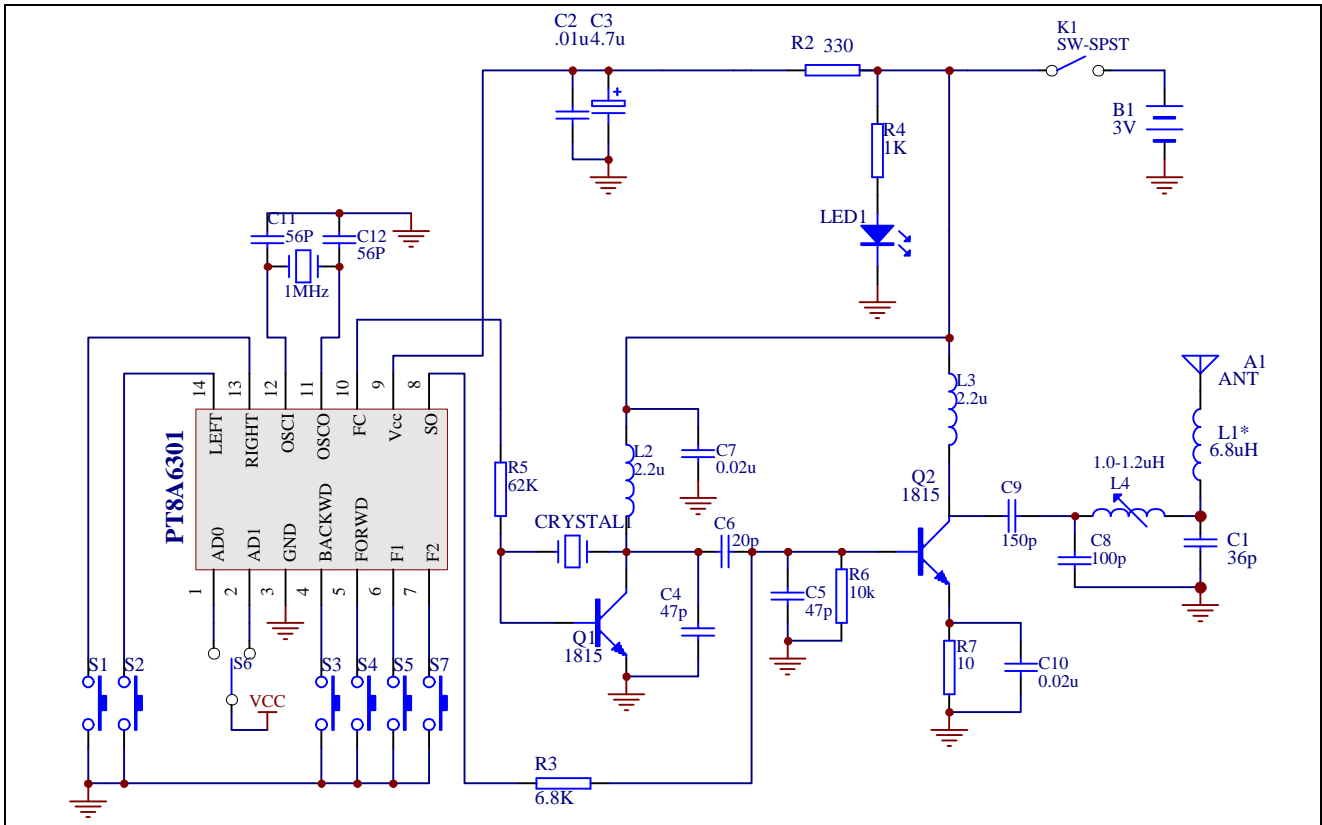
Note: These conditions (PT8A6301): V_{cc}=3.0V and T_A=0 °C to 70 °C, unless otherwise specified

These conditions (PT8A6311): V_{cc}=1.0-2.6V and T_A=0 °C to 70 °C, unless otherwise specified

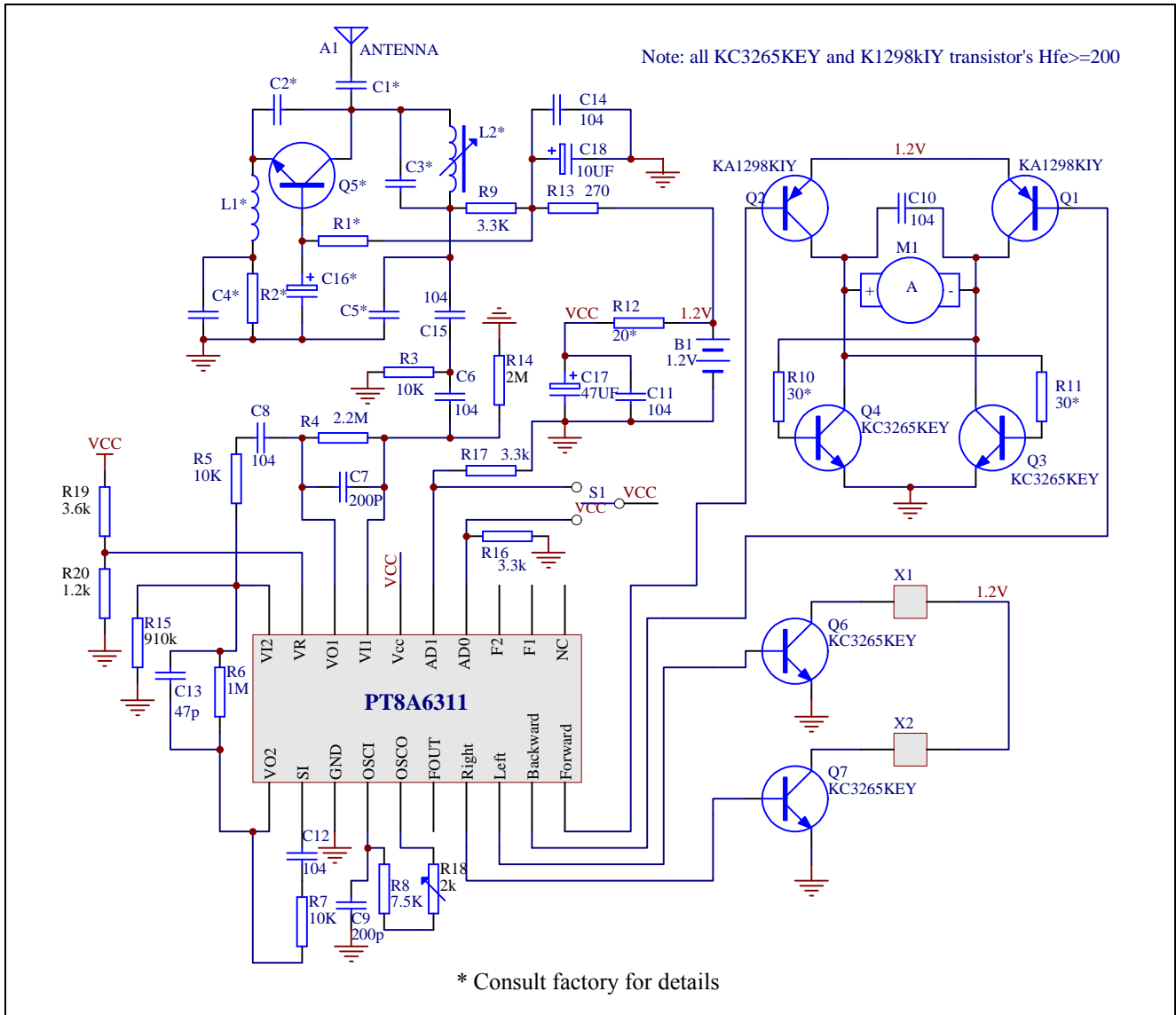
*Auto-stop time: if no effective signal received within the time, system will turn off all outputs automatically.

Typical Application Circuit

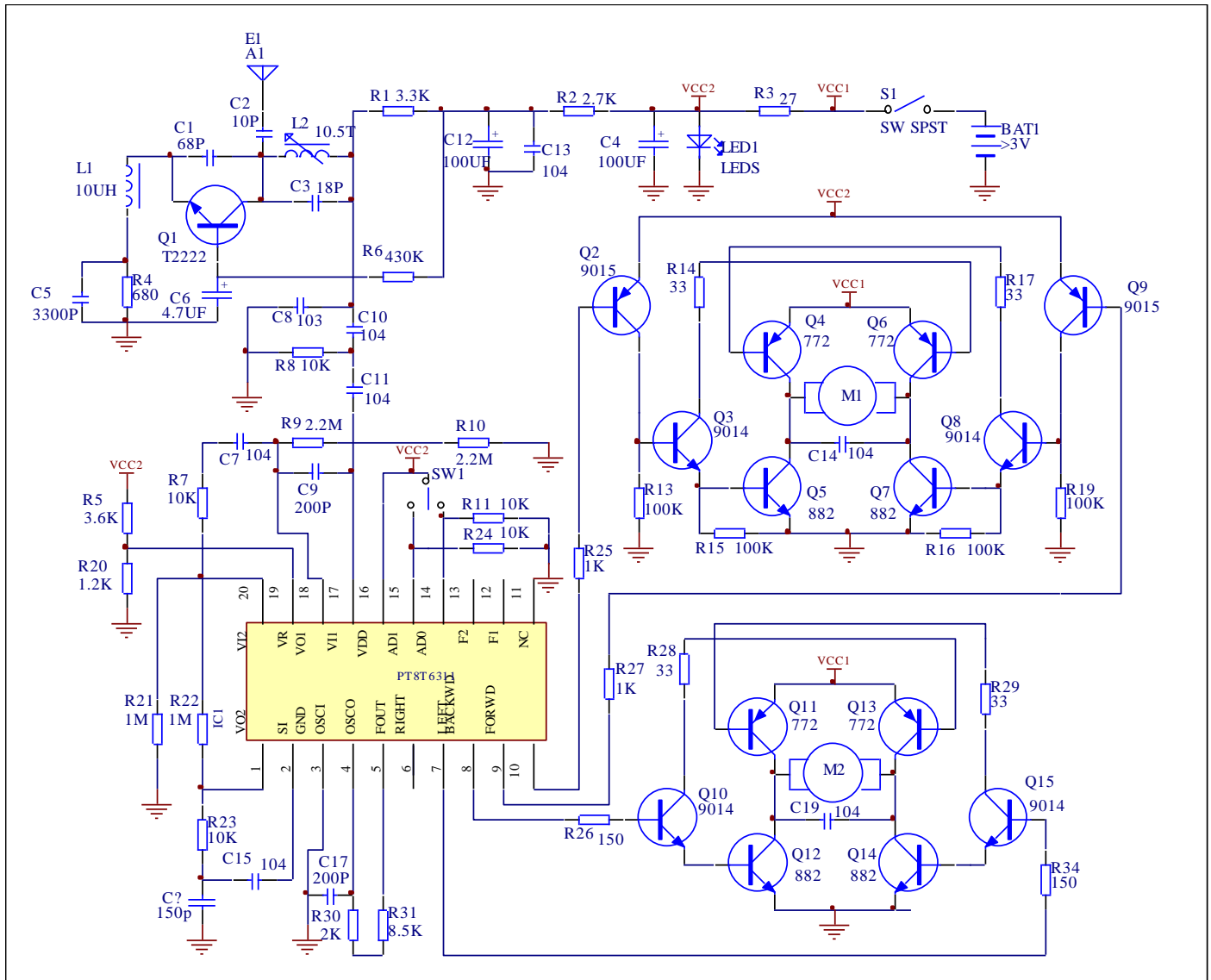
PT8A6301 Typical application circuit for



PT8A6311 Typical Application Circuit for RC car with low voltage supply



PT8A6311 Typical Application Circuit for RC car with high voltage supply



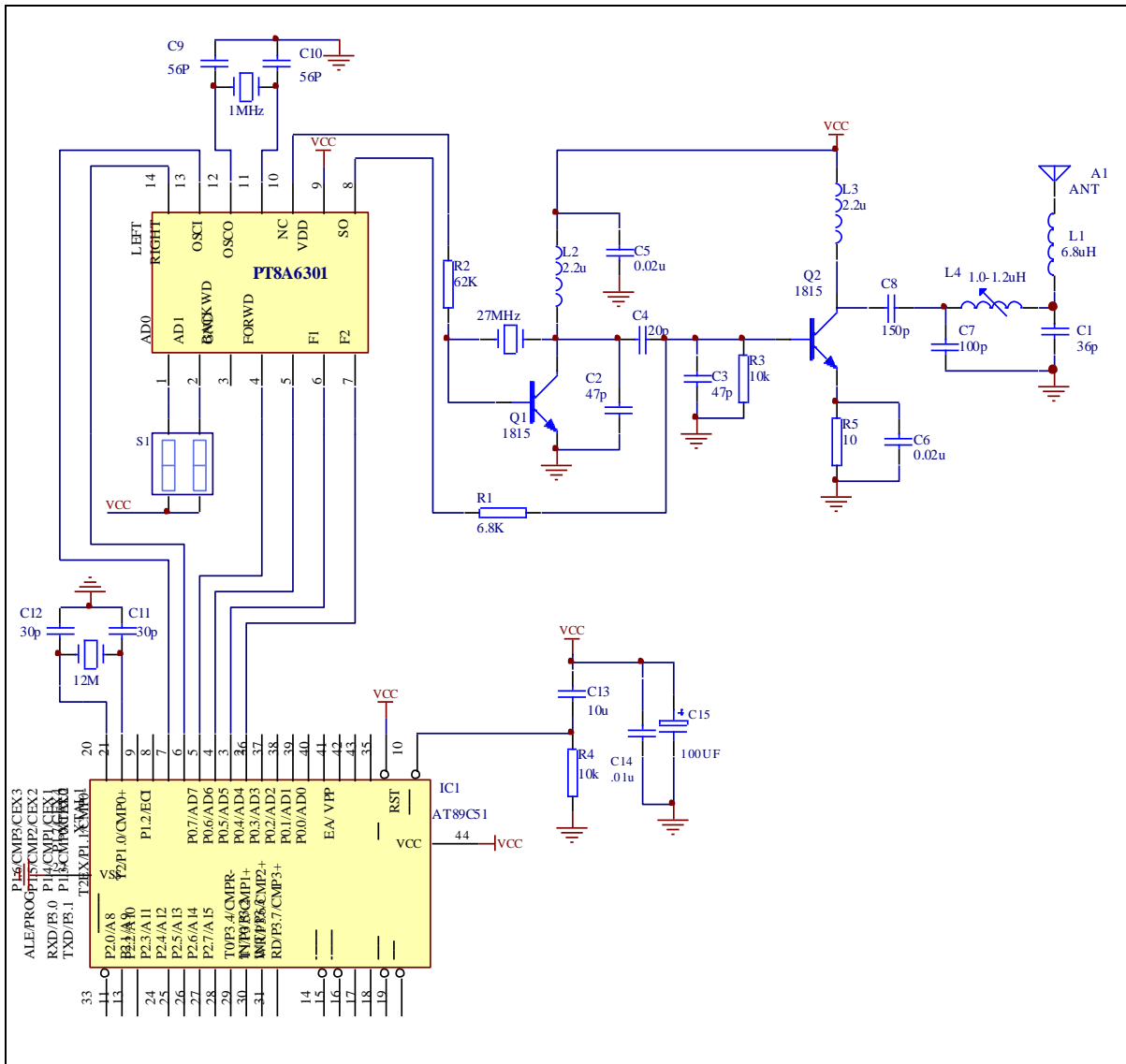
Application Note

PT8A6301/6311 can also be applied for data communication working with MCU.

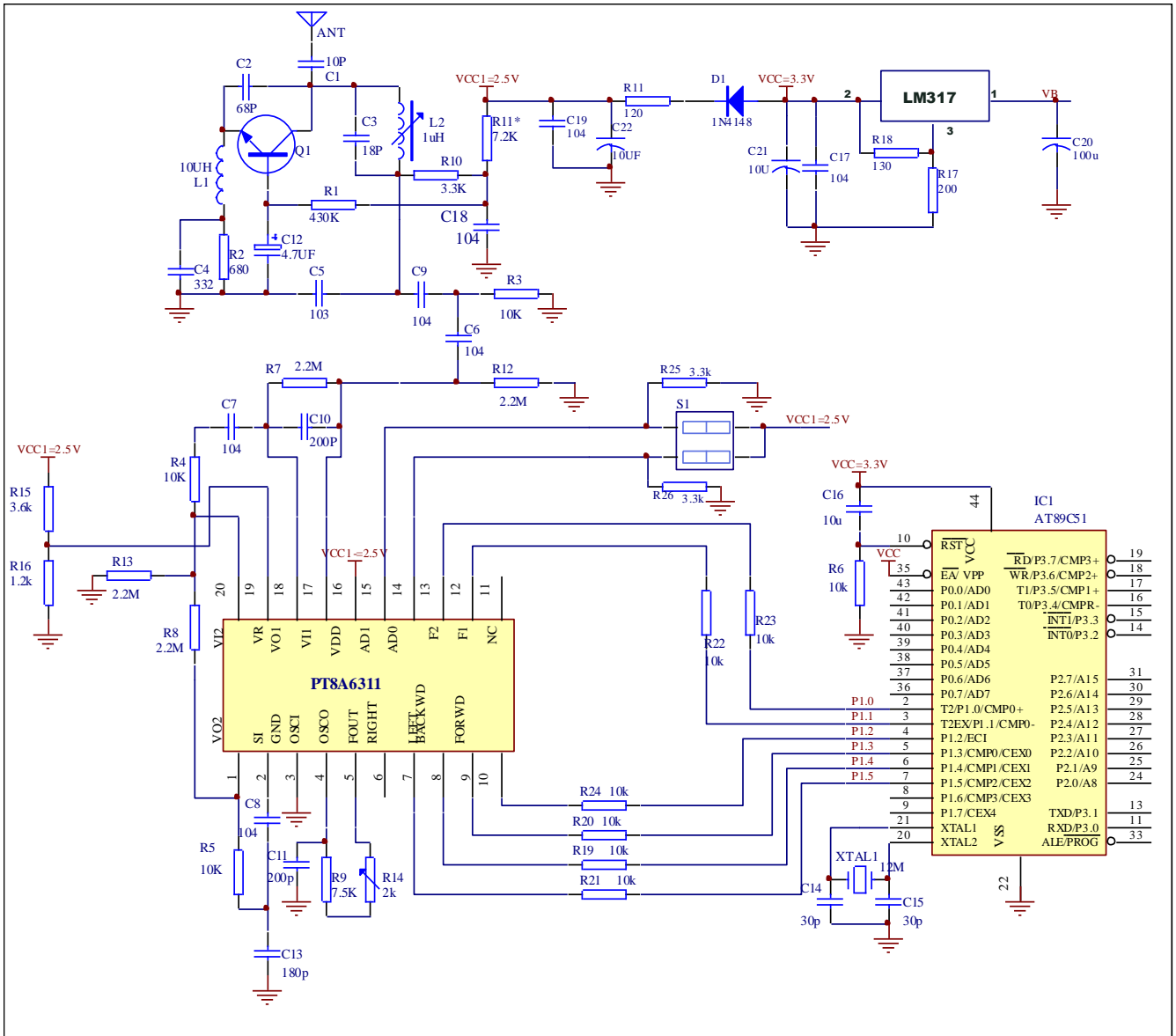
Truth table

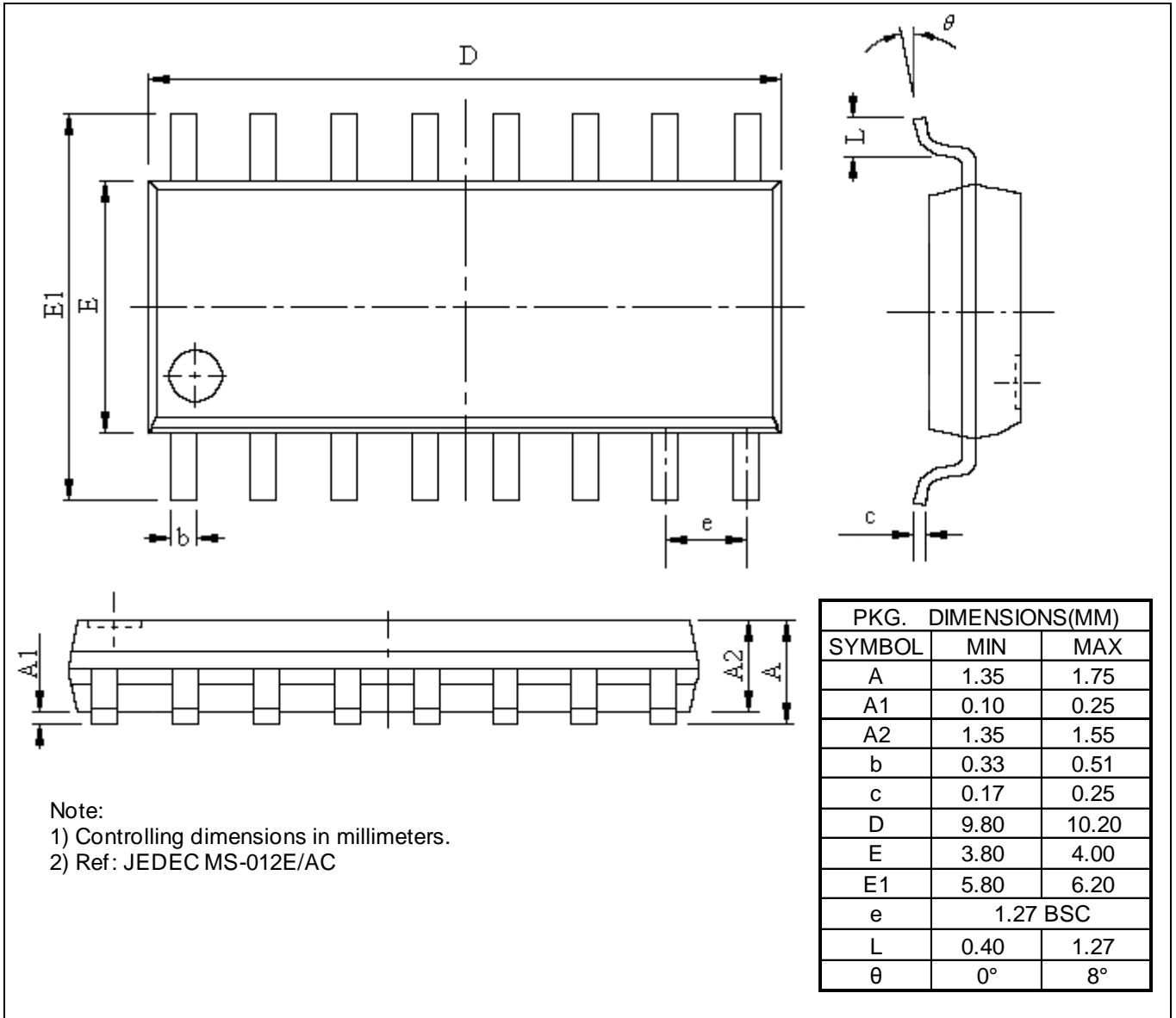
Input		Output		Input		Output		Input		Output	
RIGHT	LEFT	RIGHT	LEFT	BACKWARD	FORWARD	BACKWARD	FORWARD	F1	F2	F1	F2
0	0	0	0	0	0	1	1	0	0	1	1
0	1	1	0	0	1	0	1	0	1	1	0
1	0	0	1	1	0	1	0	1	0	0	1
1	1	0	0	1	1	1	1	1	1	0	0

PT8A6301 Application Circuit for data communication

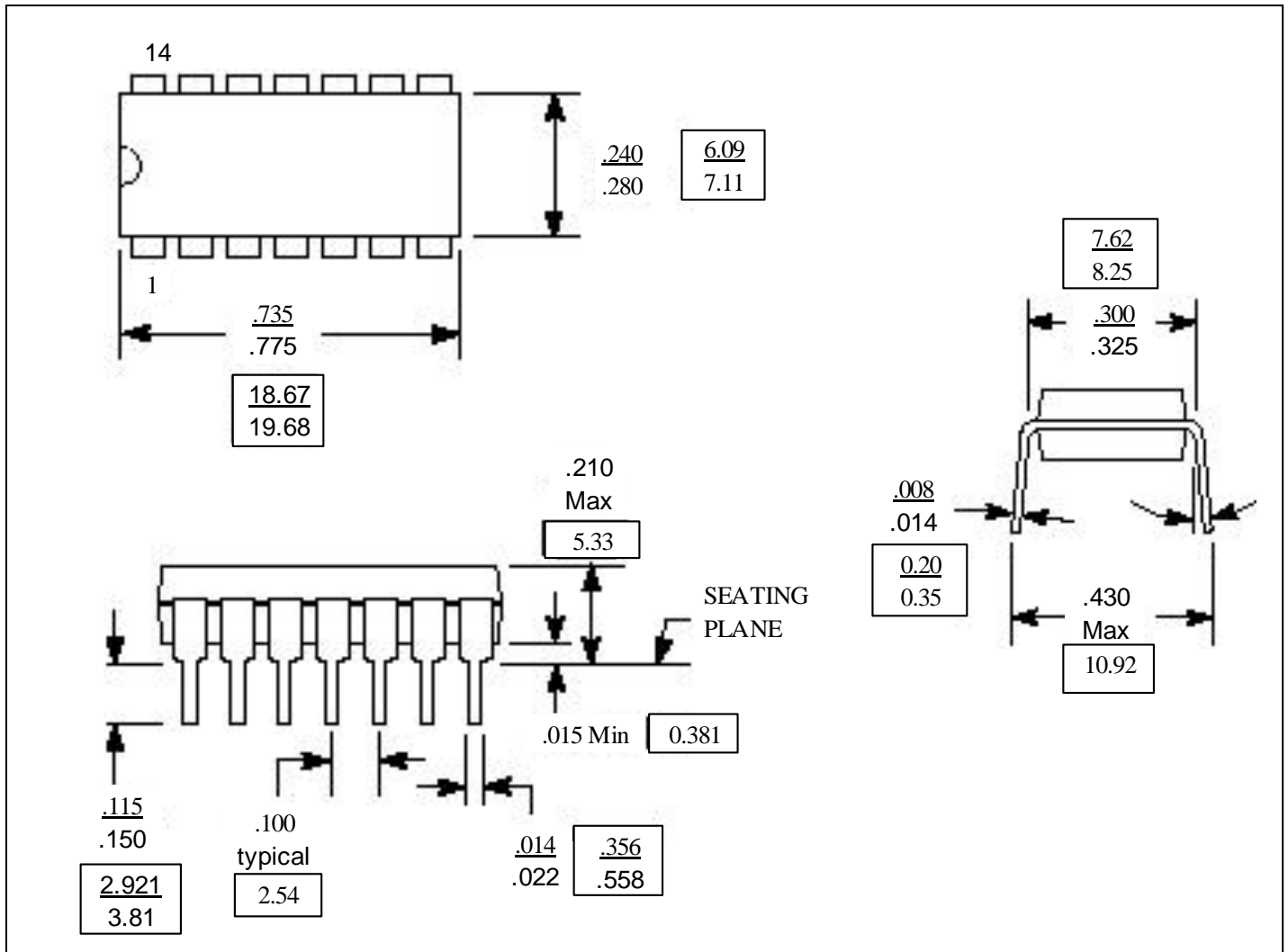


PT8A6311 Application Circuit for data communication

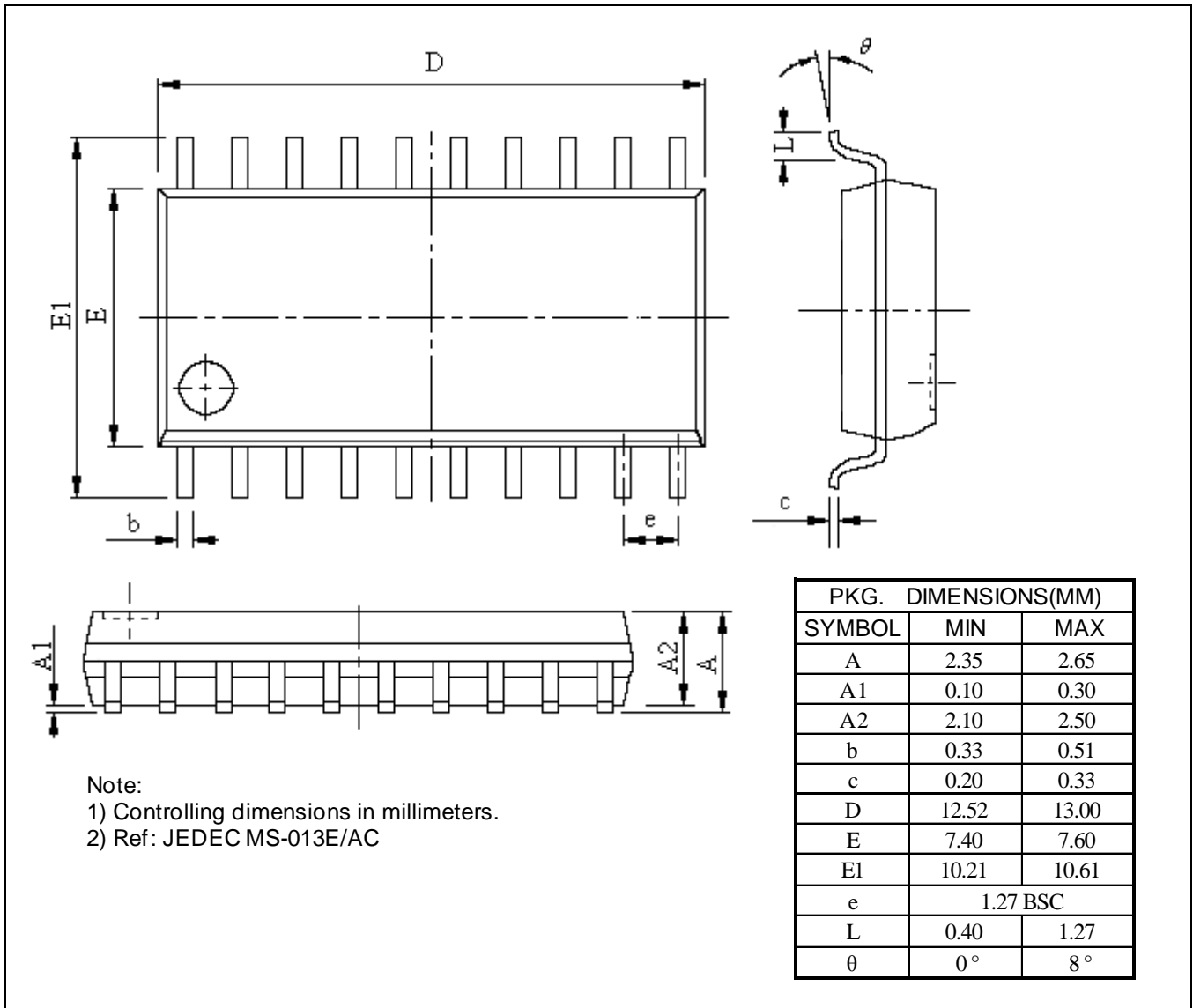


Mechanical Information
 W (SOIC-16)


DIP-14



SOIC-20



Ordering Information

Part No.	Package Code	Package
PT8A6301WE	W	Lead free 16 Pin SOIC
PT8A6301PE	P	Lead free 14 Pin DIP
PT8A6301DE	DE	Die Form
PT8A6311SE	S	Lead free 20 Pin SOIC
PT8A6311DE	DE	Die Form

Note:

- E = Pb-free
- Adding X Suffix= Tape/Reel

Pericom Semiconductor Corporation • 1-800-435-2336 • www.pericom.com

Pericom reserves the right to make changes to its products or specifications at any time, without notice, in order to improve design or performance and to supply the best possible product. Pericom does not assume any responsibility for use of any circuitry described other than the circuitry embodied in Pericom product. The company makes no representations that circuitry described herein is free from patent infringement or other rights, of Pericom.