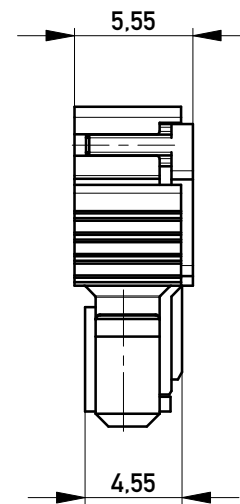
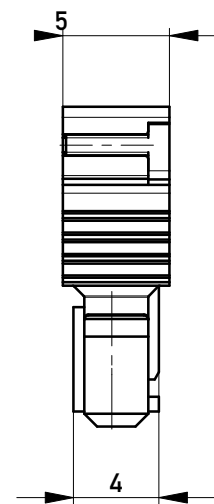


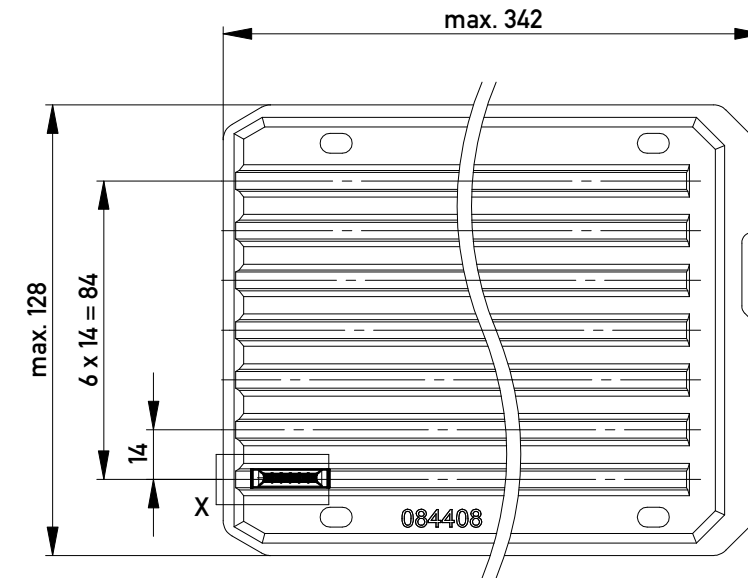
Abdeckung vorverrastet
cover loose mounted



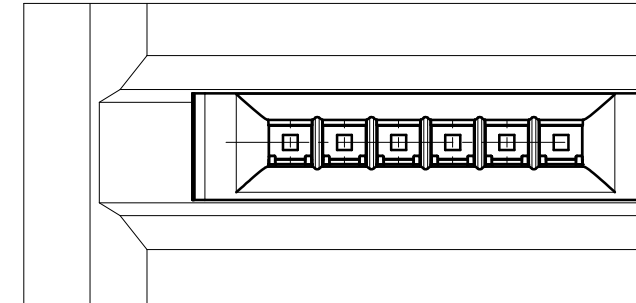
Abdeckung verpresst
cover pressed on

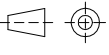



Verpackt in Tray - tray packaging
Verpackungseinheit 98 Stück - packaging unit 98



Einzelheit X
detail X



Information: Codierung, schwarz - coding, black	Tolerances  All Dimensions in mm	Scale	3:1
		Designation F 2,54 SRC-A, 6-polig	
All rights reserved. Only for Information. To ensure that this is the latest version of this drawing, please contact one of the ERNI companies before using.	Subject to modification without prior notice. Drawing will not be updated.	 www.ERNI.com	
		c Index	23.07.2015 Date
		Class	SRCBUG

Copyright by ERNI GmbH
 Proprietary notice pursuant to ISO 16016, to be observed.