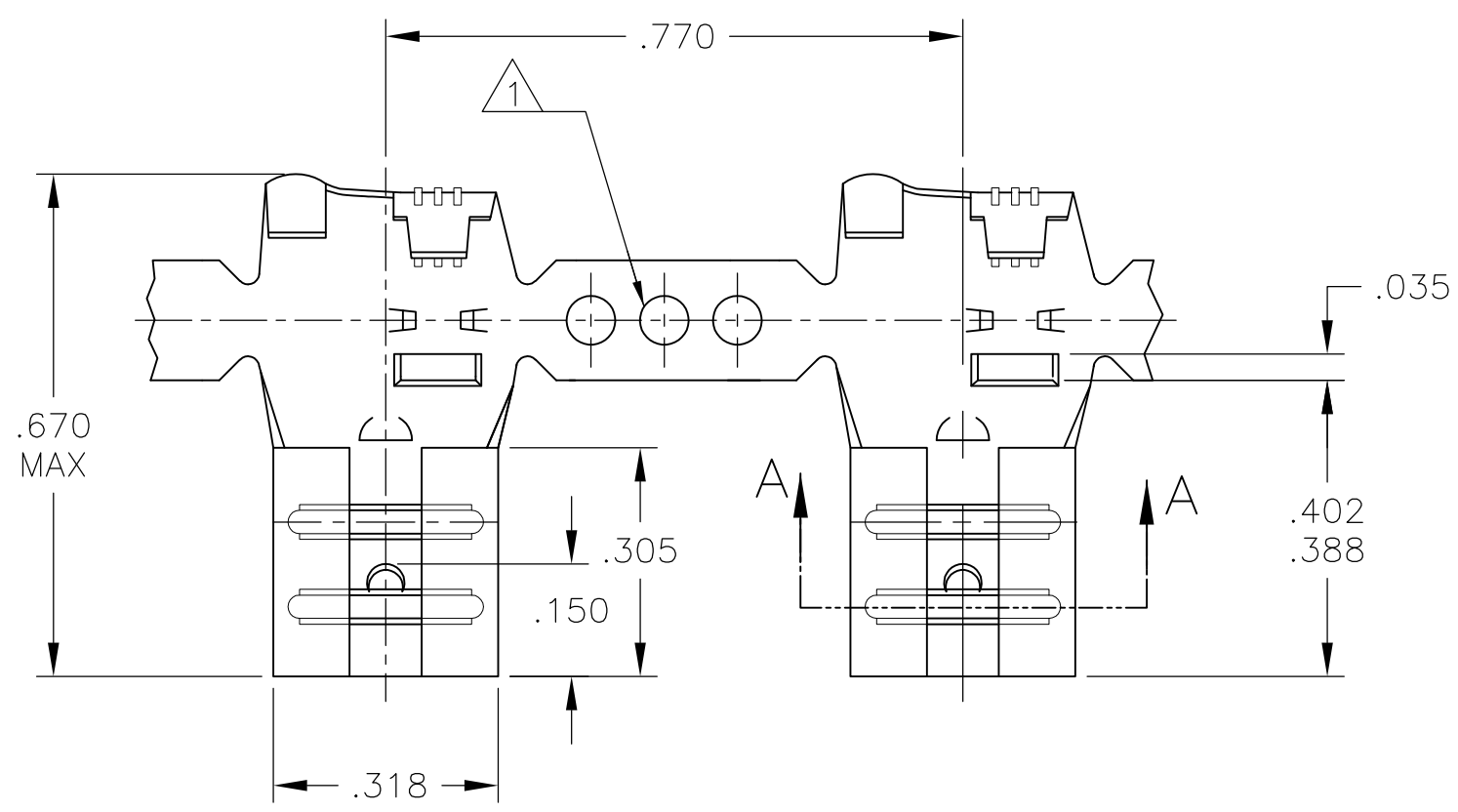
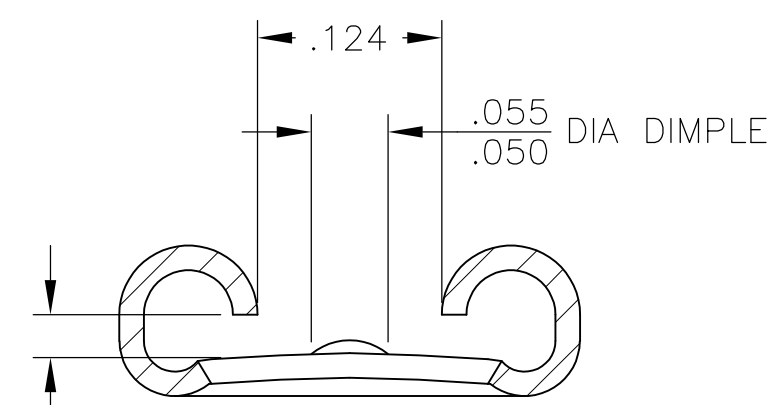


THIS DRAWING IS UNPUBLISHED. RELEASED FOR PUBLICATION  
 © COPYRIGHT - By - ALL RIGHTS RESERVED.

LOC	DIST	REVISIONS					
AF	50	P	LTR	DESCRIPTION	DATE	DWN	APVD
		Z1		REVISED PER ECR-14-009718	15JUL2014	NK	DC

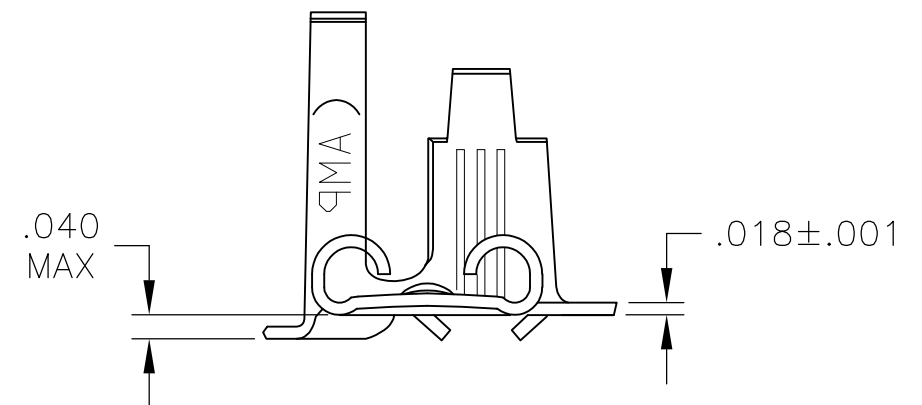



- 1 SINGLE OR DOUBLE PILOT HOLE OPTIONAL
- 2 SPLICES PRESENT ON REEL.



FITS .250 SERIES FASTON TAB

SECTION A-A  
SCALE 8:1



.110-.210	18-12	.032	41802											
INSULATION RANGE	WIRE SIZE	MATING TAB	PART NO											
THIS DRAWING IS A CONTROLLED DOCUMENT.		DWN JR RUTH 7/12/89	 TE Connectivity RECEPTACLE, FASTON, FLAG, .250 SERIES											
DIMENSIONS: INCHES		CHK MS FEHER 7/12/89												
TOLERANCES UNLESS OTHERWISE SPECIFIED:		APVD C MEYERS 7/12/89												
<table border="1"> <tr><td>0 PLC</td><td>± -</td></tr> <tr><td>1 PLC</td><td>± -</td></tr> <tr><td>2 PLC</td><td>± -</td></tr> <tr><td>3 PLC</td><td>± .015</td></tr> <tr><td>4 PLC</td><td>± -</td></tr> <tr><td>ANGLES</td><td>± -</td></tr> </table>		0 PLC		± -	1 PLC	± -	2 PLC	± -	3 PLC	± .015	4 PLC	± -	ANGLES	± -
0 PLC	± -													
1 PLC	± -													
2 PLC	± -													
3 PLC	± .015													
4 PLC	± -													
ANGLES	± -													
MATERIAL BRASS	FINISH TIN	APPLICATION SPEC	RESTRICTED TO											
		WEIGHT -	SIZE A3											
		CAGE CODE 00779												
		DRAWING NO C-41802												
CUSTOMER DRAWING		SCALE 4:1	SHEET 1 OF 1											
		REV Z1												