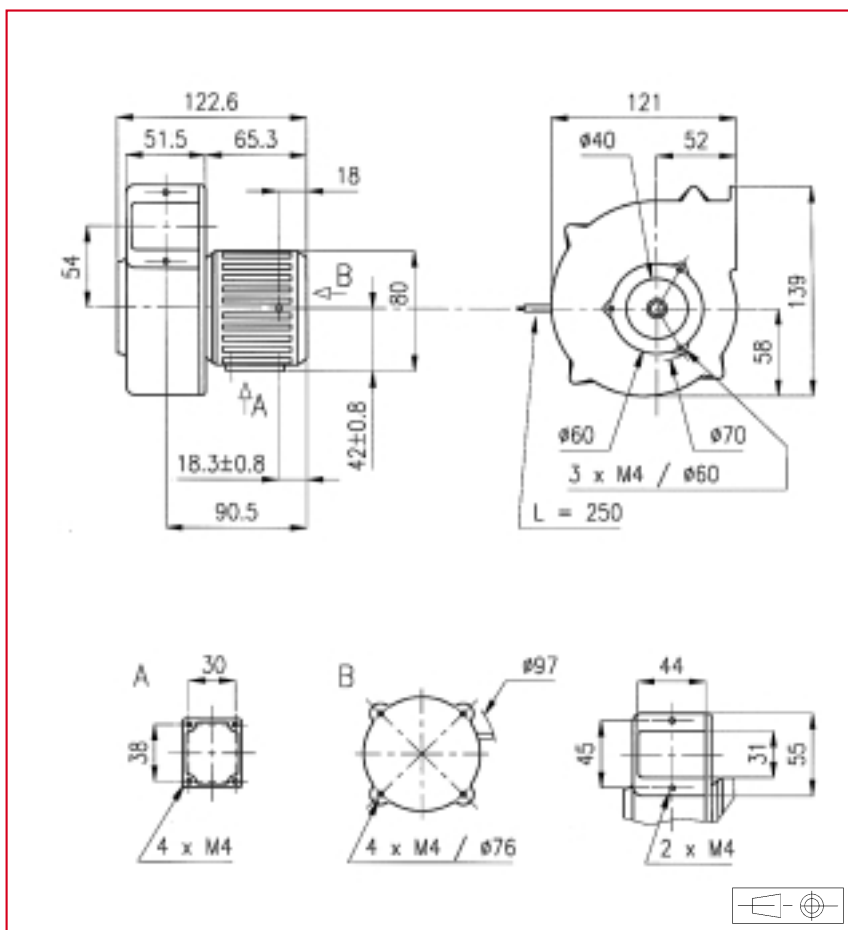


121 x 139 x 122,6 mm

582CAX

**ETRI**<sup>®</sup>

AC Centrifugal Blowers

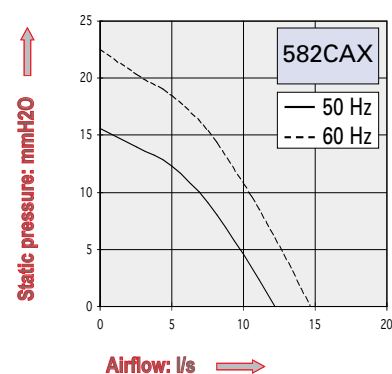


**Approvals**

GAM T1 LISTED

**Life expectancy**

L-10 LIFE AT 40°C:  
25 000 hours



**AC motor**

Housing material: aluminium  
Wheel material: aluminium  
Weight: 1,77 kg  
Bearing system: ball bearing

Connection: flying leads

**Available with:**

- safety switch

Part number	Nominal voltage	Airflow	Noise level	Nominal speed	Frequency	Phases	Capacitor	Input power	Nominal current	Starting current	Operating temperature	
	V	l/s	dB(A)	RPM	Hz		(not included)	W	mA	mA	Min. °C	Max. °C
582CAX016DC13	220	12	48	2900	50	3		9	70	240	- 10	70
	380	12	48	2900	50	3		9	45	140	- 10	70
	220	14,5	51	3400	60	3		9	55	220	- 10	70
	380	14,5	51	3400	60	3		9	35	130	- 10	70
	220	12	48	2900	50	1	0,47	9,5	80	210	- 10	70
	380	12	48	2900	50	1	0,15	9,5	50	120	- 10	70
	220	14,5	51	3400	60	1	0,47	9	60	195	- 10	70
	380	14,5	51	3400	60	1	0,15	9	35	115	- 10	70

**Additional versions:**

Salt spray protected - shock and vibration protected - marine specifications - wide temperature range

**Accessories:**

See pages: 157, 160 and 163