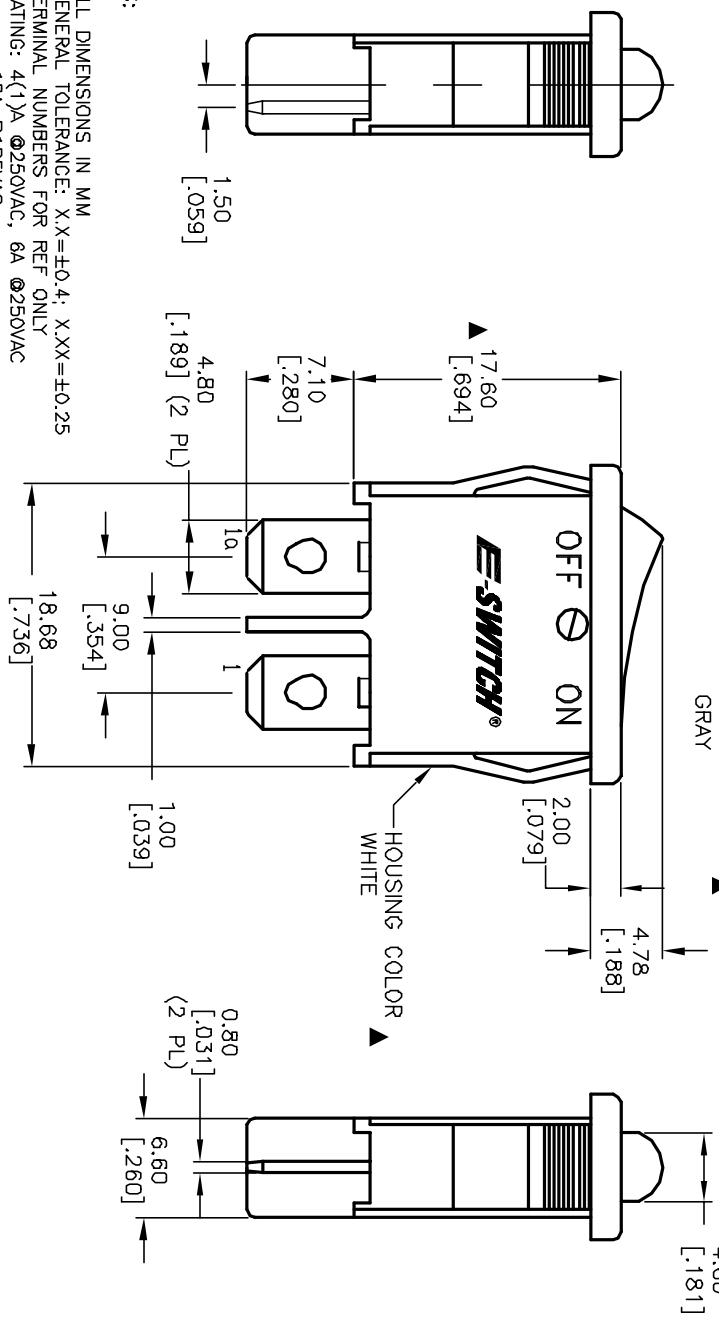


SWITCH COLOR
GRAY

PANEL THICKNESS	X
0.75-1.25	19.20
1.25-2.0	19.40
2.00-3.00	19.60



SWITCH FUNCTION	
POS. 1	POS. 2
DN	OFF
1-1a	OPEN

CONTACT CONFIGURATION



CIRCUIT: SPST

NOTES:

1. ALL DIMENSIONS IN MM
2. GENERAL TOLERANCE: X.X=±0.4; X.XX=±0.25
3. TERMINAL NUMBERS FOR REF ONLY
4. RATING: 4(1)A @250VAC, 6A @250VAC
10A @125VAC
5. MATERIALS: TERMINALS: COPPER ALLOY W/SILVER PLATING
CONTACTS: COIN SILVER
6. MECHANICAL LIFE: >50,000 CYCLES
7. ELECTRICAL LIFE: >10,000 CYCLES
8. CONTACT RESISTANCE: < 20 MEGA-OHMS (INITIAL)
9. INSULATION RESISTANCE: > 1000 MEGA-OHMS @ 500VDC
10. DIELECTRIC STRENGTH: >1500VAC 1 MINUTE (INITIAL)
>3000V BETWEEN POLES
11. ▲ DENOTES CRITICAL PARAMETER.



A	13161	RELEASED FOR PRODUCTION	5/28/03	AR
REV.	ECN No.	DESCRIPTION	DATE	CHKD

TITLE				
R6AWHTGRYFF				
SCALE	DATE	DR	DWG	REV
2:1	5/28/03	AR	M060304	A

THE INFORMATION CONTAINED IN THIS DOCUMENT IS PROPRIETARY TO E-SWITCH AND IS NOT TO BE COPIED OR TRANSFERRED