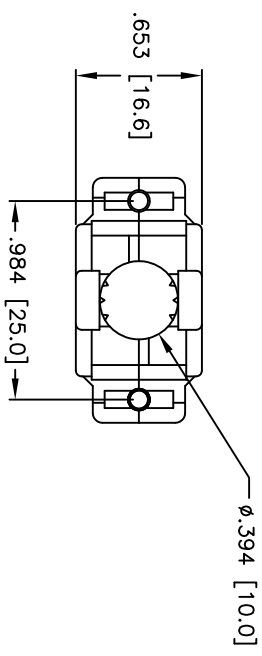
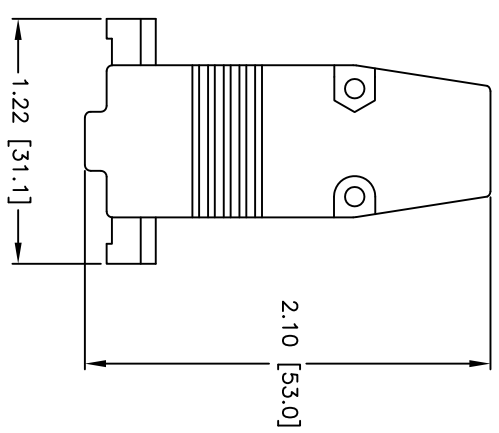
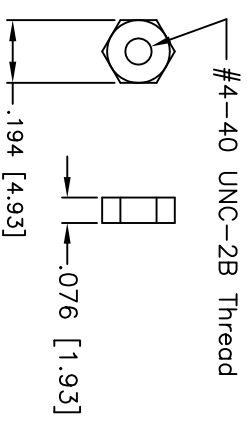
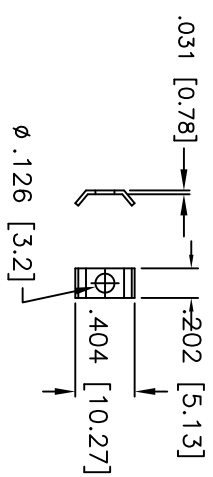
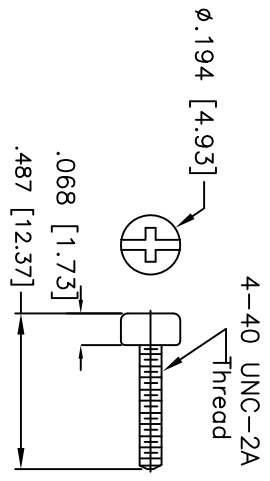
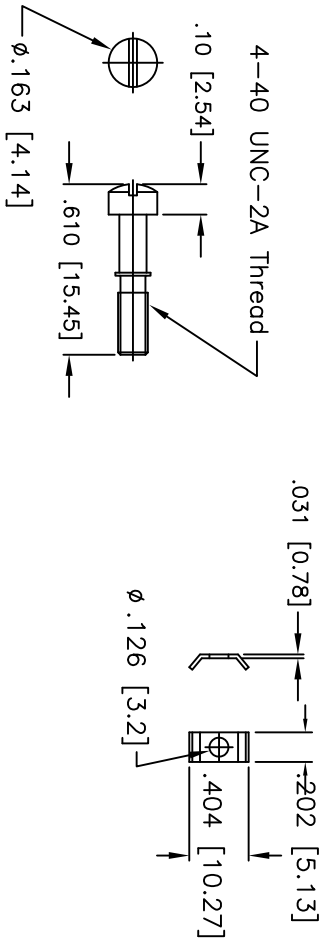


APPROVED: \_\_\_\_\_ TITLE: \_\_\_\_\_  
 DATE: \_\_\_\_\_

Rev	EWO #	Description	Date	Appr
-		Released	4/12/06	



**SPECIFICATIONS:**

- Material:**  
 Hood: Aluminum Die Cast  
 Hardware: Copper Alloy
- Finish:**  
 Hood: Aluminum  
 Hardware: Nickel Plated
- Packaging:**  
 Two(2) of each part shown is packaged in a plastic bag.

UNLESS OTHERWISE SPECIFIED  
 ALL DIMENSIONS ARE INCHES [MM]  
 TOLERANCES: EXCEPT AS NOTED  
 INCHES HOLES  
 ± .10 ØXX ± .10  
 .XX ± .020 ØXX ± .015  
 .XXX ± .015 ØXXX ± .010

**ADAM TECH**  
 909 Rahway Avenue, Union, NJ 07083  
 Phone: 908-687-5000 Fax: 908-687-5710

TITLE: HOOD, D-SUB, 9 POS, ALUMINUM DIE CAST, SHORT SCREW

APPROVALS	DATE
DRAWN	LFJ
CHECKED	
APPROVED	

SIZE	PART NO.	REV.
X	DE09-HDLB-AL-SS-394	-
REF: S00042I	SCALE: NTS	SHEET 1 OF 1