

# SR820 THRU SR8100



## 8.0 AMP SCHOTTKY BARRIER RECTIFIERS



### FEATURES

- \* Low forward voltage drop
- \* High current capability
- \* High reliability
- \* High surge current capability
- \* Epitaxial construction

### MECHANICAL DATA

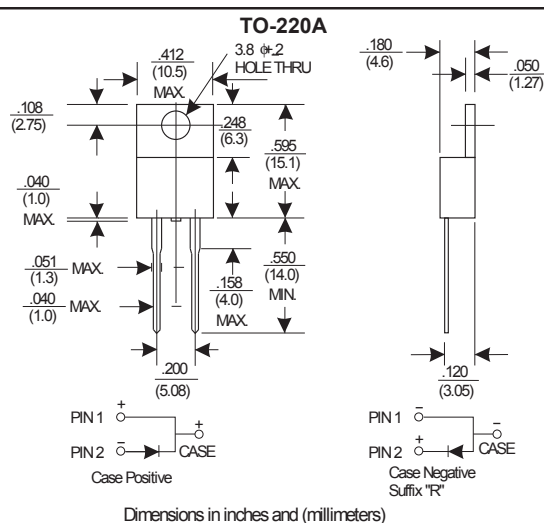
- \* Case: Molded plastic
- \* Epoxy: UL 94V-0 rate flame retardant
- \* Lead: Lead solderable per MIL-STD-202, method 208 guaranteed
- \* Polarity: As Marked
- \* Mounting position: Any
- \* Weight: 2.24 grams
- \* Both normal and Pb free product are available:
- \* Normal: 80~95%Sn, 5~20%Pb
- \* Pb free: 99 Sn above can meet Rohs environment substance directive request

### VOLTAGE RANGE

20 to 100 Volts

### CURRENT

8.0 Amperes



## MAXIMUM RATINGS AND ELECTRICAL CHARACTERISTICS

Rating 25°C ambient temperature unless otherwise specified.  
Single phase half wave, 60-Hz, resistive or inductive load.  
For capacitive load, derate current by 20%.

TYPE NUMBER	SR820	SR830	SR840	SR850	SR860	SR880	SR8100	UNITS
Maximum Recurrent Peak Reverse Voltage	20	30	40	50	60	80	100	V
Maximum RMS Voltage	14	21	28	35	42	49	56	V
Maximum DC Blocking Voltage	20	30	40	50	60	80	100	V
Maximum Average Forward Rectified Current								A
See Fig. 1	8.0							A
Peak Forward Surge Current, 8.3 ms single half sine-wave superimposed on rated load (JEDEC method)	150							A
Maximum Instantaneous Forward Voltage at 8.0A	0.65		0.75					V
Maximum DC Reverse Current at Rated DC Blocking Voltage	Ta=25 C °			50				mA
	Ta=100 C °			50				mA
Typical Junction Capacitance (Note 1)	700			460				pF
Typical Thermal Resistance R <sub>θJC</sub> (Note 2)	3.0							°C/W
Operating Temperature Range T <sub>J</sub>	-65—+125			-65—+150				°C
Storage Temperature Range T <sub>STG</sub>	-65—+150							°C

#### NOTES:

1. Measured at 1MHz and applied reverse voltage of 4.0V D.C.
2. Thermal Resistance Junction to Case.

## RATING AND CHARACTERISTIC CURVES (SR820 THRU SR100)

FIG.1-TYPICAL FORWARD CURRENT DERATING CURVE

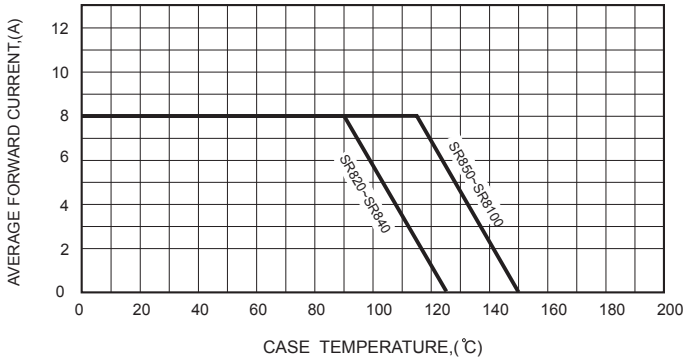


FIG.2-TYPICAL FORWARD CHARACTERISTICS

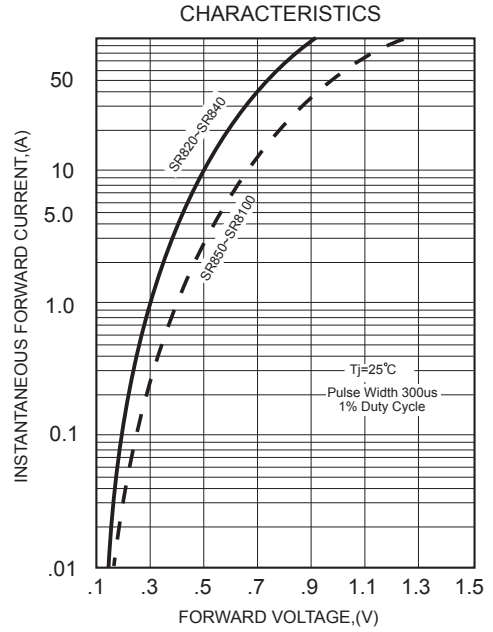


FIG.3-MAXIMUM NON-REPETITIVE FORWARD SURGE CURRENT

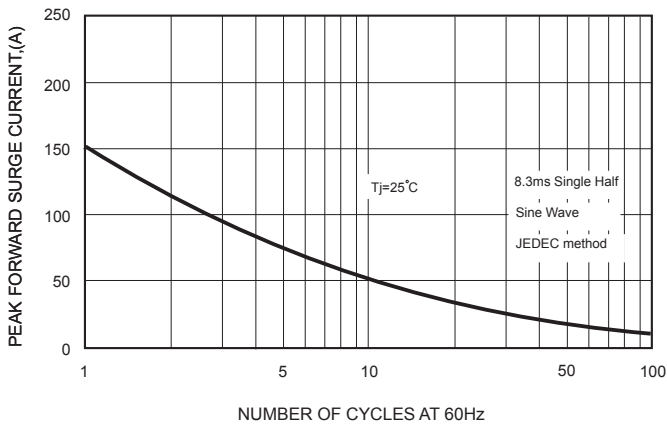


FIG.5 - TYPICAL REVERSE CHARACTERISTICS

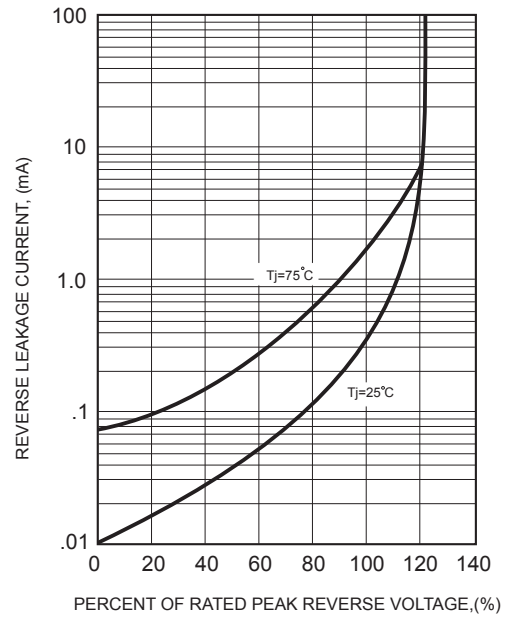


FIG.4-TYPICAL JUNCTION CAPACITANCE

