

03 0364 V109

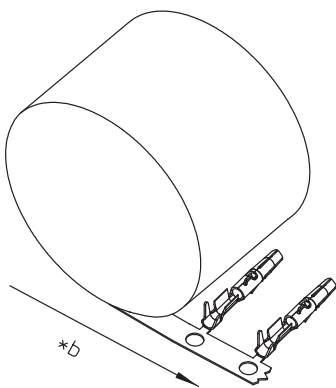
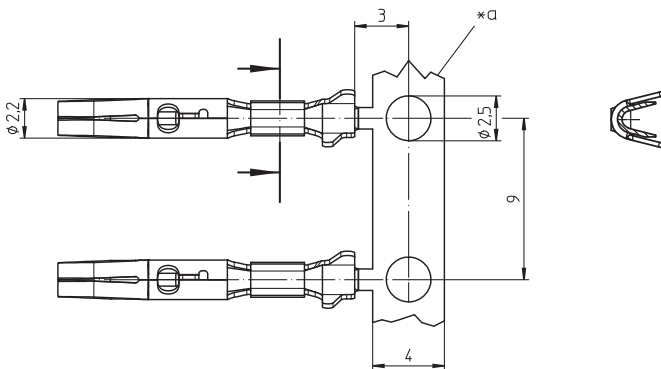
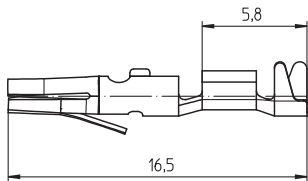
Circular connectors with threaded joint M16 acc. to IEC 61076-2-106, IP40/IP67/IP68



Crimp contact, contact bush gold-plated

03

0364 V109



- *a supporting strip
- *b unreeing direction

Environmental conditions

Temperature range -40 °C/+85 °C

Materials

Contact bush CuSn, gold-plated

Mechanical data

Mating cycles ≥ 1000
 Insertion force/contact $\leq 3.0 \text{ N}^1$
 Withdrawal force/contact $\geq 1.2 \text{ N}^1$

¹ measured with a polished steel pin, nominal thickness 1.5 mm

Connectable conductors for crimp area

Section 0,25–0,75 mm² (AWG 23–18)
 Insulation diameter $\leq 1,8 \text{ mm}$

Electrical data (at T_{amb} 20 °C)

Contact resistance $\leq 5 \text{ m}\Omega$
 Rated current 5 A (T_{amb} 40 °C)
 Rated voltage 250/320 V AC
 Further data see suitable connector housing

Associated products

Counterparts
 ☞ 036500 ☞ 0369 V109

Accessories
 ☞ 0360 ☞ 036000 ☞ 0362
 ☞ 036297 ☞ 0363

Harnessing equipment
 ☞ CA03 ☞ CAS03 ☞ CAW03
 ☞ CM03-01-0364 ☞ CM03-03-0364 ☞ CMW03-01-0364
 ☞ CMW03-03-0364 ☞ CZB03-0364 ☞ CZK03

03

0364 V109

Designation	Pole Number	PU (Pieces)	MDQ (Pieces)
0364 V109	1	10000	10000
0364 V109VP18	1	350	1750

Packaging:
on reel