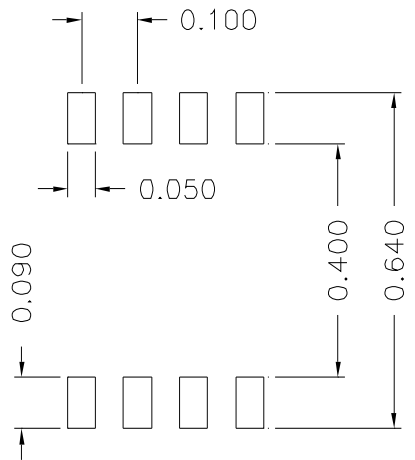
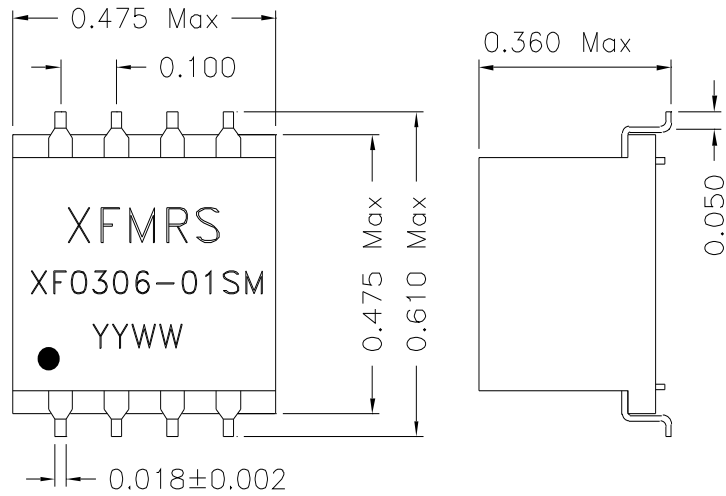
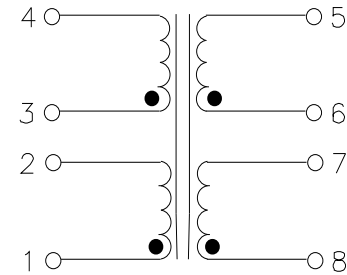


1. Dimensions:



SUGGESTED PAD LAYOUT

2. Schematic:



3. Electrical Specifications: @25°C

HYPOT: 2500 Vrms, 1 Second

Turns Ratio: 1-2:3-4:6-5:8-7=1:1:1:1 ±5%

OCL: 30uH Minimum @100KHz 100mV, Each Winding

LL: (P1-4) 2.0uH Maximum @100KHz,100mV

Cw/w: (P1-8) 6pF max, 100KHz, 0.1V

Tie pins 2-3 & 6-7

DCR: 0.125 Ohms Max, Each Winding

DOC Rev.: B/1

XFMRS Inc	Title: Surface Mount Transformers		
	UNLESS OTHERWISE SPECIFIED	P/N: XF0306-01SM	REV. B
TOLERANCES: .xxx ±0.010	DWN.	李清儿	Jan-22-99
Dimensions in Inch	CHK.	孙悦	Jan-22-99
SCALE 3:1 SHT 1 OF 1	APP.	Joe Huff	Jan-22-99