

# Power Splitter/Combiner

ZC4PD-18

4 Way-0° 50Ω 1000 to 1800 MHz



CASE STYLE: Z184

Connectors	Model
SMA	ZC4PD-18-S

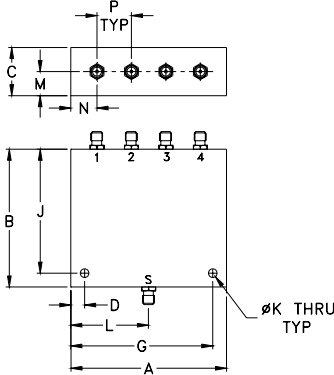
## Maximum Ratings

Operating Temperature	-55°C to 100°C
Storage Temperature	-55°C to 100°C
Power Input (as a splitter)	10W max.
Internal Dissipation	0.375W max.
DC Current	1.0 A (250mA for each port)
Permanent damage may occur if any of these limits are exceeded.	

## Coaxial Connections

SUM PORT	S
PORT 1	1
PORT 2	2
PORT 3	3
PORT 4	4

## Outline Drawing



## Outline Dimensions (inch/mm)

A	B	C	D	G	J
2.26	2.00	.70	.200	2.060	1.800
57.40	50.80	17.78	5.08	52.32	45.72
K	L	M	N	P	wt
.125	1.13	.35	.38	.500	grams
3.18	28.70	8.89	9.65	12.70	59

## Features

- wideband, 1000 to 1800 MHz
- high isolation, 32 dB typ.
- up to 10W power input as splitters
- good VSWR, 1.10:1 typ.

## Applications

- GPS
- communication systems

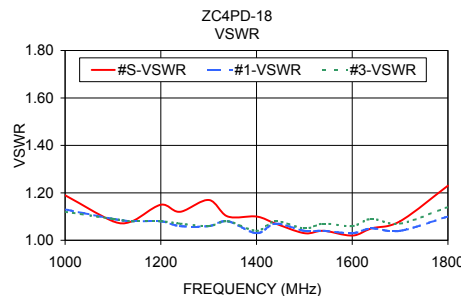
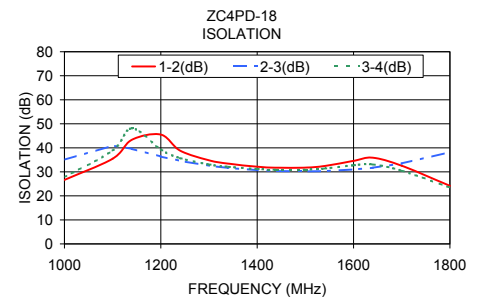
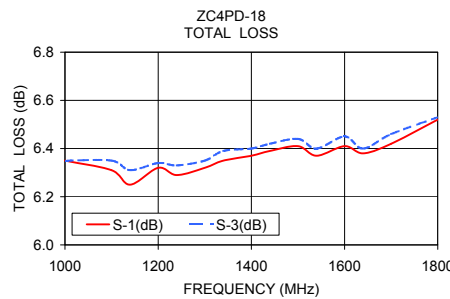
## Electrical Specifications

FREQ. RANGE (MHz)	ISOLATION (dB)		INSERTION LOSS (dB) ABOVE 6.0 dB		PHASE UNBALANCE (Degrees)	AMPLITUDE UNBALANCE (dB)	VSWR (:1)			
	Typ.	Min.	Typ.	Max.			S		OUT	
f <sub>L</sub> -f <sub>U</sub>					Max.	Max.	Typ.	Max.	Typ.	Max.
1000-1800	32	18	0.3	0.8	6	0.40	1.05	1.55	1.08	1.45

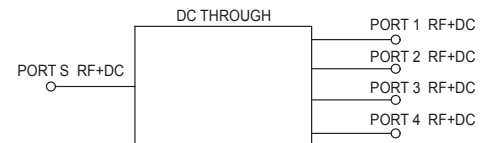
## Typical Performance Data

Freq. (MHz)	Total Loss <sup>1</sup> (dB)				Amp. Unbal. (dB)	Isolation (dB)			Phase Unbal. (deg.)	VSWR S	VSWR 1	VSWR 2	VSWR 3	VSWR 4
	S-1	S-2	S-3	S-4		1-2	2-3	3-4						
1000.00	6.35	6.34	6.35	6.34	0.01	26.64	34.99	27.84	0.31	1.19	1.13	1.13	1.12	1.12
1100.00	6.31	6.34	6.35	6.32	0.03	35.48	40.94	38.87	0.25	1.08	1.09	1.09	1.09	1.09
1140.00	6.25	6.28	6.31	6.26	0.05	43.36	39.59	48.11	0.25	1.08	1.08	1.08	1.08	1.09
1200.00	6.32	6.34	6.34	6.32	0.03	45.51	36.37	39.28	0.30	1.15	1.08	1.08	1.08	1.09
1240.00	6.29	6.32	6.33	6.32	0.04	38.82	34.55	35.71	0.30	1.12	1.06	1.07	1.07	1.08
1300.00	6.32	6.33	6.35	6.34	0.03	34.79	32.55	33.06	0.32	1.17	1.06	1.06	1.06	1.06
1340.00	6.35	6.36	6.39	6.38	0.04	33.40	31.61	32.09	0.26	1.10	1.08	1.08	1.08	1.09
1400.00	6.37	6.36	6.40	6.37	0.03	32.13	30.71	31.22	0.34	1.10	1.03	1.03	1.04	1.04
1440.00	6.39	6.38	6.42	6.39	0.04	31.72	30.35	30.88	0.38	1.07	1.07	1.07	1.08	1.09
1500.00	6.41	6.38	6.44	6.40	0.06	31.74	30.20	30.91	0.34	1.03	1.04	1.04	1.05	1.06
1540.00	6.37	6.36	6.40	6.38	0.04	32.43	30.30	31.37	0.37	1.04	1.04	1.05	1.07	1.07
1600.00	6.41	6.40	6.45	6.42	0.05	34.57	30.99	32.74	0.60	1.02	1.03	1.04	1.06	1.06
1640.00	6.38	6.37	6.40	6.38	0.03	35.90	31.69	33.09	0.56	1.05	1.05	1.06	1.09	1.08
1700.00	6.42	6.43	6.46	6.44	0.04	32.54	33.47	30.46	0.55	1.08	1.04	1.05	1.07	1.07
1800.00	6.52	6.54	6.53	6.50	0.04	24.16	38.22	23.50	0.60	1.23	1.10	1.11	1.14	1.13

1. Total Loss = Insertion Loss + 6dB splitter loss.



## electrical schematic



## Notes

- Performance and quality attributes and conditions not expressly stated in this specification document are intended to be excluded and do not form a part of this specification document.
- Electrical specifications and performance data contained in this specification document are based on Mini-Circuit's applicable established test performance criteria and measurement instructions.
- The parts covered by this specification document are subject to Mini-Circuits standard limited warranty and terms and conditions (collectively, "Standard Terms"); Purchasers of this part are entitled to the rights and benefits contained therein. For a full statement of the Standard Terms and the exclusive rights and remedies thereunder, please visit Mini-Circuits' website at [www.minicircuits.com/WCLStore/terms.jsp](http://www.minicircuits.com/WCLStore/terms.jsp)

