

isc N-Channel MOSFET Transistor

IPW65R095C7

IIPW65R095C7

• FEATURES

- Static drain-source on-resistance:
 $R_{ds(on)} \leq 95m\Omega$
- Enhancement mode:
- 100% avalanche tested
- Minimum Lot-to-Lot variations for robust device performance and reliable operation

• DESCRIPTION

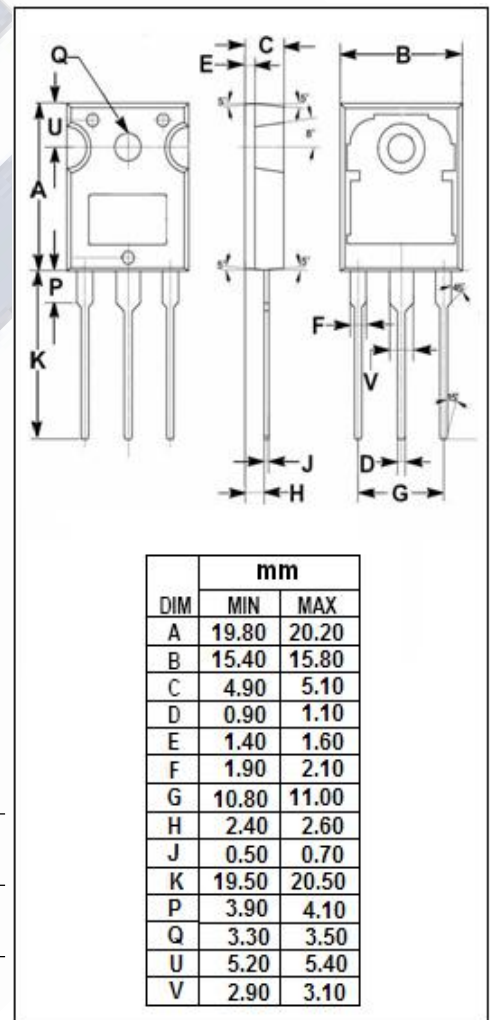
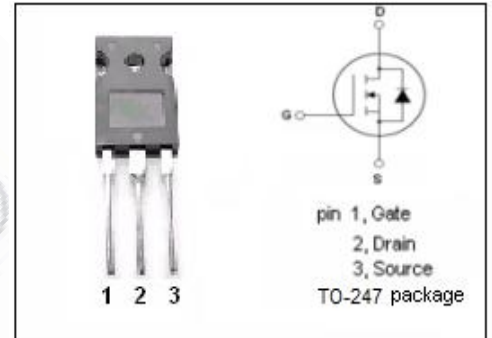
- Fast Switching

• ABSOLUTE MAXIMUM RATINGS(T_a=25°C)

SYMBOL	PARAMETER	VALUE	UNIT
V _{DSS}	Drain-Source Voltage	650	V
V _{GS}	Gate-Source Voltage	±20	V
I _D	Drain Current-Continuous	24	A
I _{DM}	Drain Current-Single Pulsed	100	A
P _D	Total Dissipation @T _c =25°C	128	W
T _j	Max. Operating Junction Temperature	150	°C
T _{stg}	Storage Temperature	-55~150	°C

• THERMAL CHARACTERISTICS

SYMBOL	PARAMETER	MAX	UNIT
R _{th(j-c)}	Channel-to-case thermal resistance	0.98	°C/W
R _{th(j-a)}	Channel-to-ambient thermal resistance	62	°C/W



isc N-Channel MOSFET Transistor
IPW65R095C7
IIPW65R095C7
ELECTRICAL CHARACTERISTICS

 T_c=25°C unless otherwise specified

SYMBOL	PARAMETER	CONDITIONS	MIN	TYP	MAX	UNIT
B _{VDS}	Drain-Source Breakdown Voltage	V _{GS} =0V; I _D =1mA	650			V
V _{GS(th)}	Gate Threshold Voltage	V _{DS} =V _{GS} ; I _D =0.59mA	3		4	V
R _{DS(on)}	Drain-Source On-Resistance	V _{GS} =10V; I _D =11.8A			95	mΩ
I _{GSS}	Gate-Source Leakage Current	V _{GS} = 20V; V _{DS} =0V			0.1	mA
I _{DSS}	Drain-Source Leakage Current	V _{DS} =650V; V _{GS} = 0V			1	μA
V _{SD}	Diode forward voltage	I _F =11.8A, V _{GS} = 0V				V