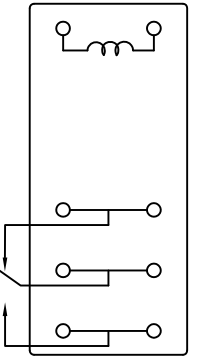
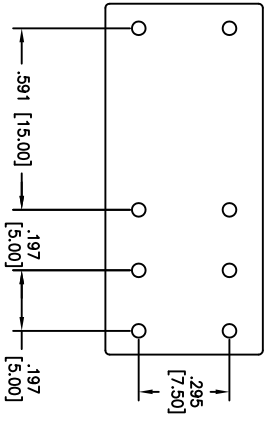
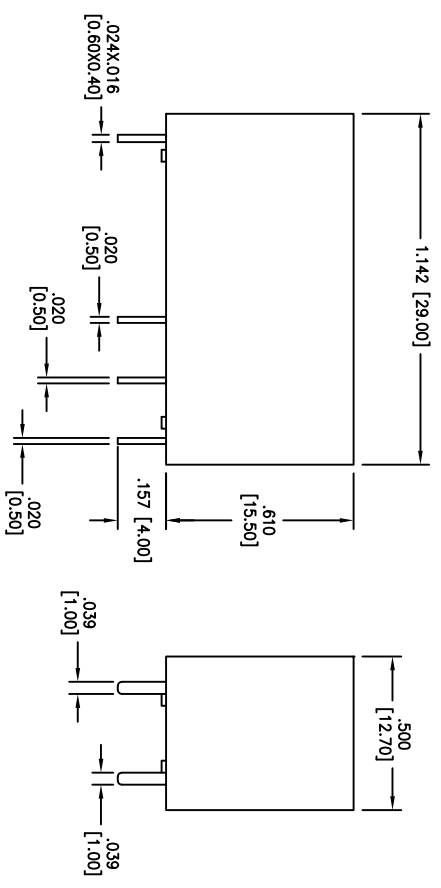


Rev	AWO #	Description	Date	Appr
-		RELEASED	8/23/10	

APPROVED: _____ TITLE: _____
 DATE: _____



PART NO.	RPG-1Z-P-5-16L
Coil Rated Voltage	5VDC
Coil Rated Current	193mA
Pick-up Voltage	9VDC
Drop-out Voltage	1.2VDC
Coil Resistance	62Ω

SPECIFICATIONS:

Electrical:

Contact arrangement: 1Z
 Contact material: Ag Alloy
 Contact Rating (Resistive load): 16A @ 250V AC 16A @ 30V DC
 Max. Switching Voltage: 250V AC / 30V DC
 Max. Operating Power: 4000VA
 Contact resistance: 50 mΩ max. Initial
 Insulation resistance: 1000 MΩ min. @ 500V DC
 Dielectric withstanding voltage:
 Between Coil & Contact: 5000V AC 50/60HZ for 1 min.
 Between Contacts: 1000V AC 50/60HZ for 1 min.
 Operating time: 15ms max. Release time: 10ms max.
 Electrical Life: 100,000 Operations (at rated load)
Mechanical:
 Vibration resistance (Endurance): 1.5mm D.A. 10-55HZ
 Shock resistance: 10G min.
 Mechanical Life: 10,000,000 Operations (no load)
 Terminal Strength: 500gr. for 1 minute at horizontal direction
 Temperature Rating: Ambient temperature: -40°C to +85°C

Mechanical:

Vibration resistance (Endurance): 1.5mm D.A. 10-55HZ
 Shock resistance: 10G min.
 Mechanical Life: 10,000,000 Operations (no load)
 Terminal Strength: 500gr. for 1 minute at horizontal direction
 Temperature Rating: Ambient temperature: -40°C to +85°C

Environmental:

Lead free, RoHS compliant
 Recommended soldering temp: 235°C for 5 sec.
 Packaging: Anti-ESD plastic trays
 Safety Agency Approvals: cUL Recognized File No. E305638

UNLESS OTHERWISE SPECIFIED
 ALL DIMENSIONS ARE INCHES [MM]
 TOLERANCES: EXCEPT AS NOTED
 INCHES HOLES
 .X ±.10 ØXX ±.10
 .XX ±.020 ØXXX ±.015
 .XXX ±.015 ØXXXX ±.010

ADAM TECH

909 Rahway Avenue, Union, NJ 07083
 Phone: 908-687-5000 Fax: 908-687-5710

POWER RELAY, 5VDC, 1Z, PCB

APPROVALS	DATE
DRAWN DY	8/23/10
CHECKED	
APPROVED	

SIZE	PART NO.	REV.
X	RPG-1Z-P-5-16L	-

REF: S00006C SCALE: NTS SHEET 1 OF 1

